

# ACCESSORY SETUP INSTRUCTION

## HEAT GRIP ASSY -- PN 9DQV-808100-3000

VALID FOR: CFORCE 500 & 500 TOURING

**BEFORE YOU BEGIN:** Read and understand the instructions before starting any work. Make sure that all parts are ready and that you have all the tools required for assembly.

**NOTE:** CFMOTO shall not be liable for any damage caused by incorrect assembly. CFMOTO recommends that all original accessories be assembled by an authorized CFMOTO dealer.

Before assembly, park the vehicle on a flat surface, put the transmission gear into Park (P) and turn off the key switch.

**Zhejiang CFMOTO Power Co., Ltd.** All rights reserved. Reproduction of this document, even in part, as well as copying of all kinds, is permitted only with the express written permission of the copyright owner.

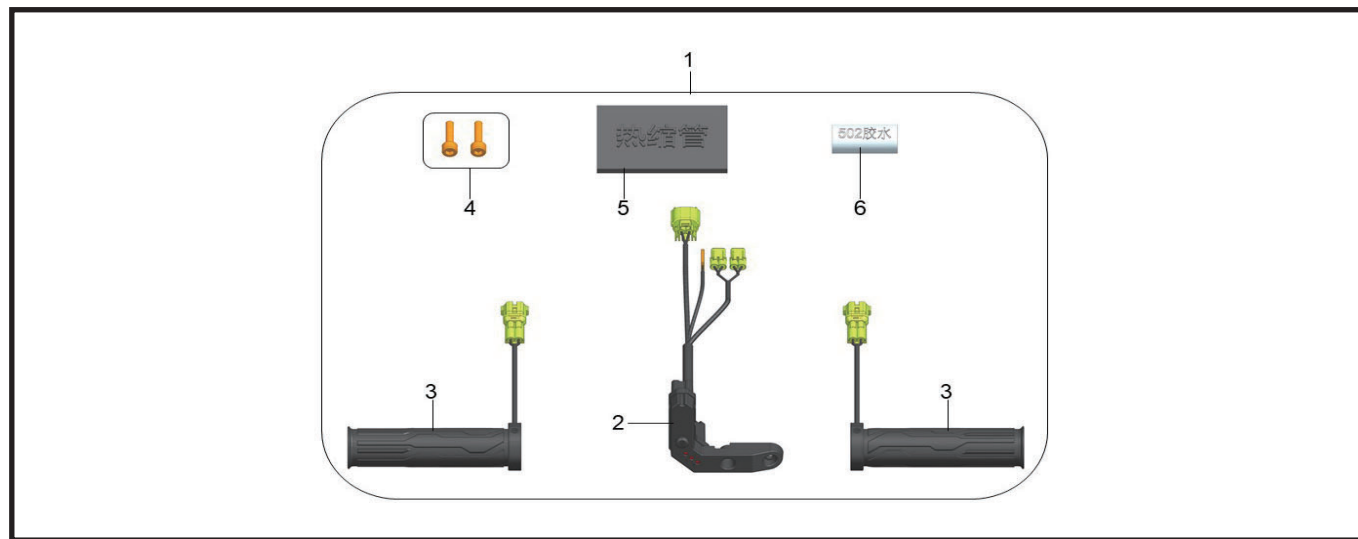
## MEANING OF SYMBOLS

- Indicates information with more details or tips.

- Indicates information of warning or danger.

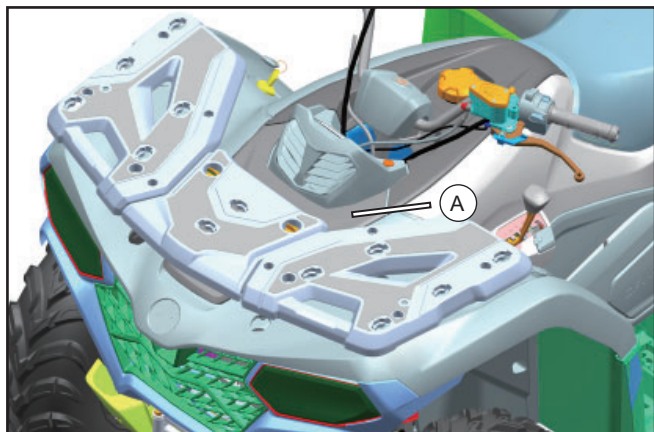
## PARTS LIST:

ITEM	PART NAME	PART NUMBER	QTY.	REMARK
1	HEAT GRIP ASSY	9DQV-808100-3000	1	Picture is for structure reference only.
2	CONTROLLER B TYPE, HEAT GRIP	9DQV-808110-3000	1	
3	B TYPE HEAT GRIP	9DQV-808120-3000	1	
4	SCREW M6×30	9DQV-808100-3000-20	1	
5	HEAT SHRINK TUBE	9DQV-808100-3000-21	4	
6	GLUE	9DQV-808100-3000-24	2	

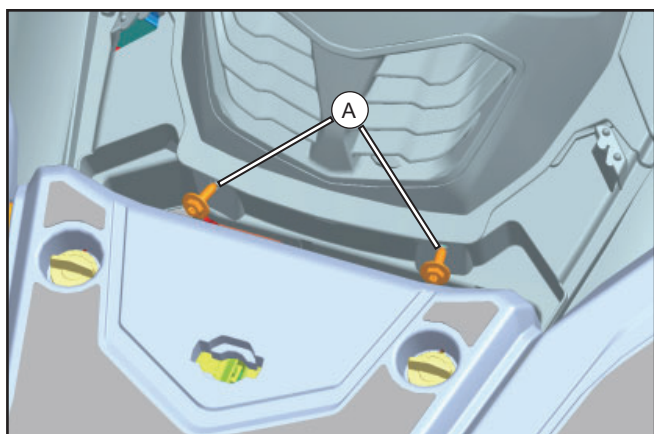


## TOOL LIST:

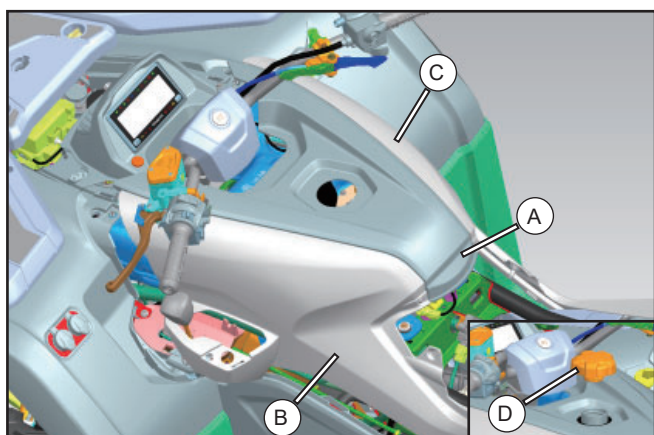
ITEM	DESCRIPTION	QTY.	REMARK
1	PROTECTIVE GLOVES	1	Recommended tools.
2	T27 ALLEN WRENCH	1	
3	T30 ALLEN WRENCH	1	
4	5mm ALLEN WRENCH	1	
5	6mm ALLEN WRENCH	1	



// Remove the maintenance cover (A).

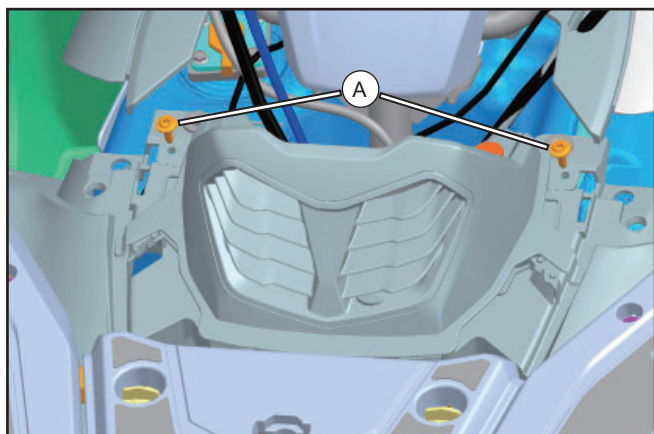


// Remove the bolts (A) as shown.

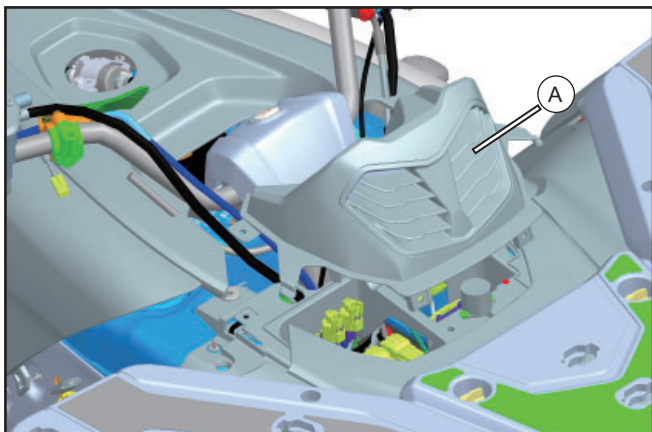


// Remove the fuel tank cover (A), left deco plate (B) and right deco plate (C).

**i** - Remove the seat first, then unscrew the cap (D).



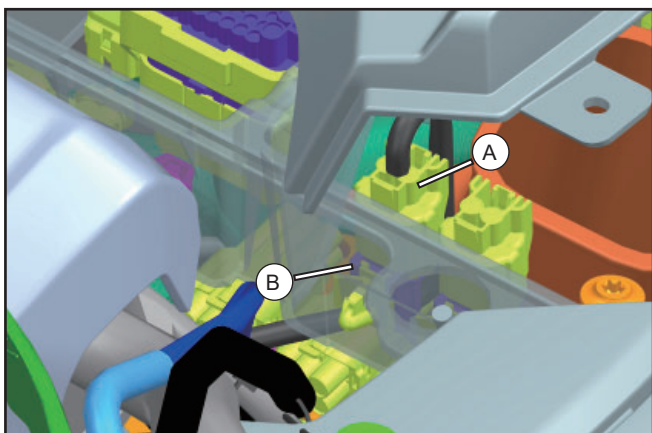
// Remove the bolts (A) as shown.



// Remove the dashboard cover (A) of the vehicle.

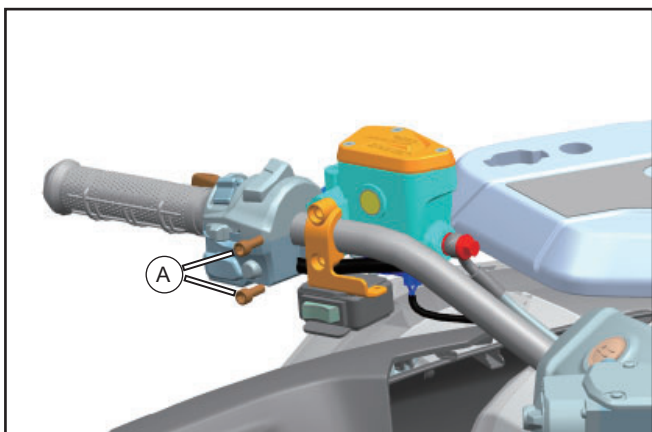


// Remove the plug (A).

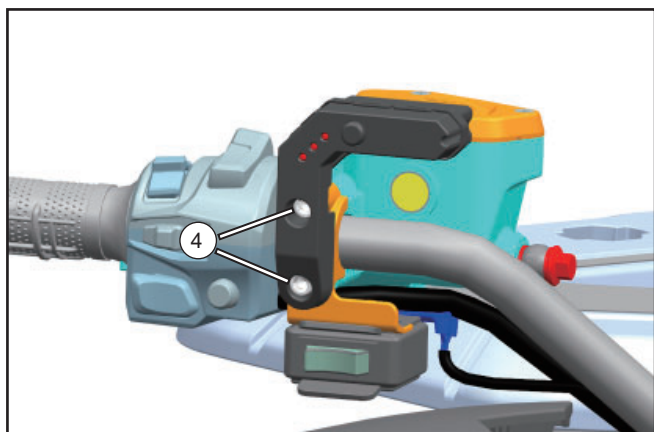


// Insert the connector (A) of heat grip B type controller (2) into the reserved connector (B) of the vehicle.

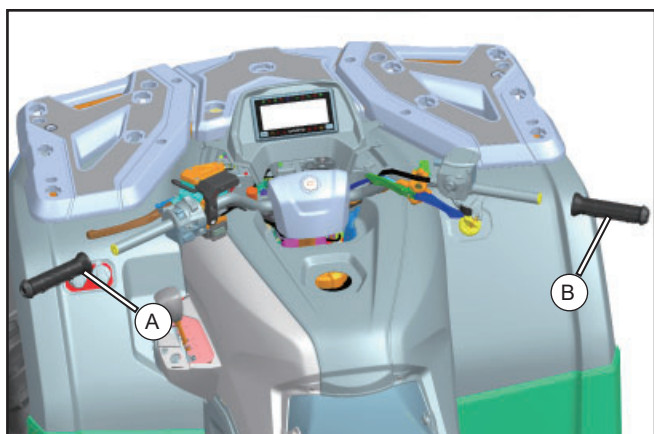
**i** - The wiring harness is led out from under the plastic part.



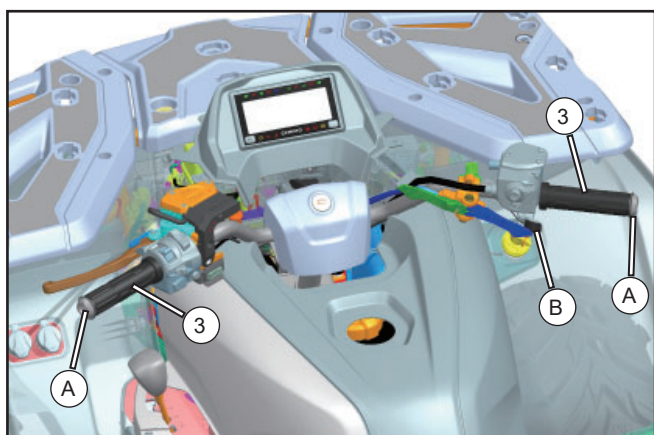
// Remove the bolts (A) as shown.



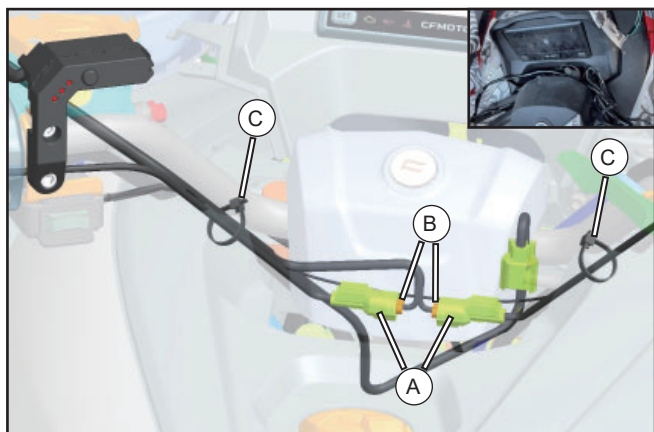
// Install and tighten the screws (4).



// Remove the left handlebar tube sleeve (A) and right handlebar sleeve (B) of the vehicle.



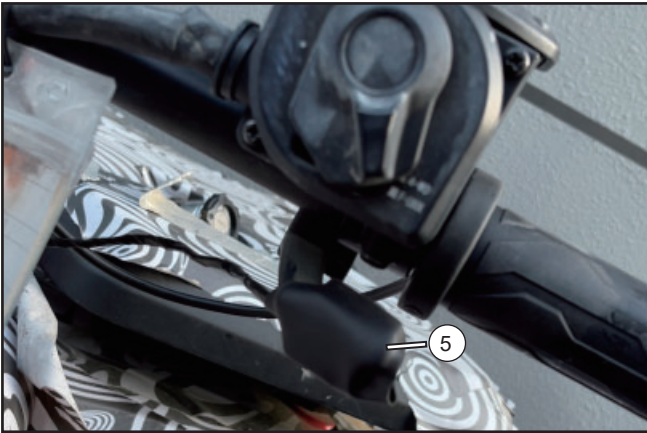
// Stick the glue (6) to inside of the grip and the handlebar tube, then install the B type heat grip (3) and tighten the screw (A). Finally stick the thumb heater (B) to the throttle button.



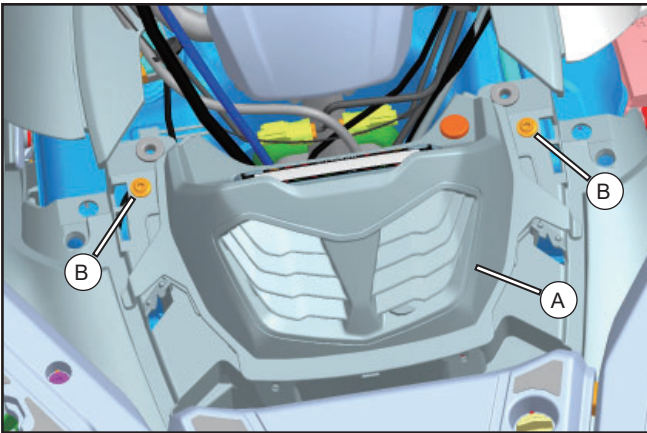
// Connect the heat grip connector (A) to the controller connector (B).

**i** - Secure the wire harness with ties (C).

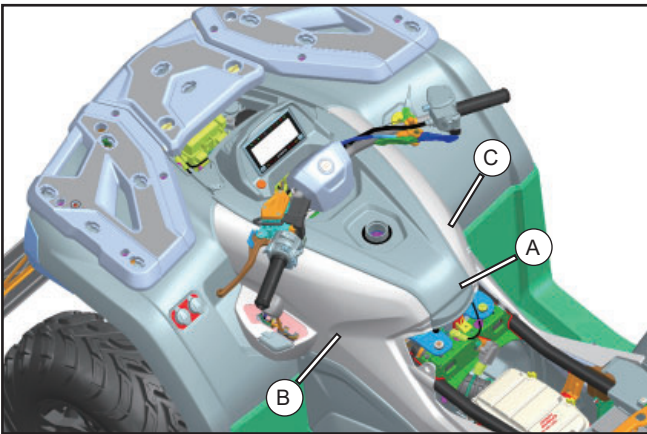
## ASSEMBLY and INSTALLATION



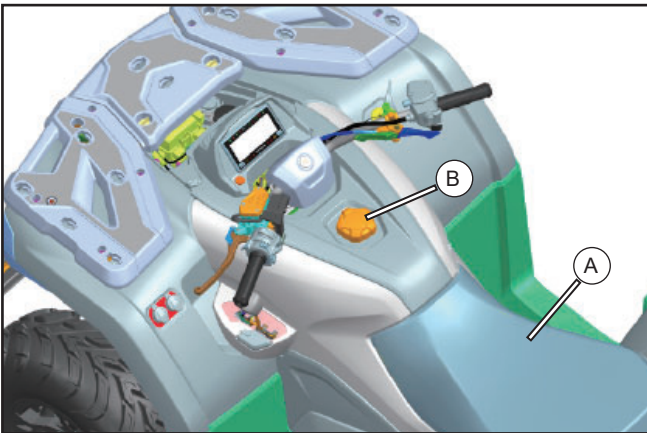
// Put the heat shrink tube (5) on the throttle button, use a lighter to heat-shrink it.



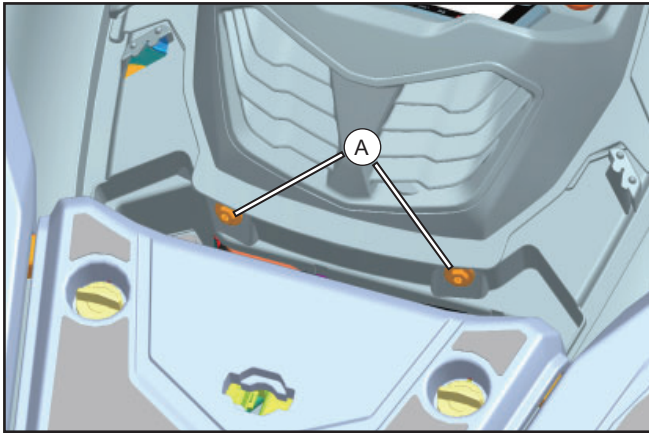
// After installing the dashboard panel (A) of the vehicle to the proper position of the vehicle, connect the screws (B) and lock them.



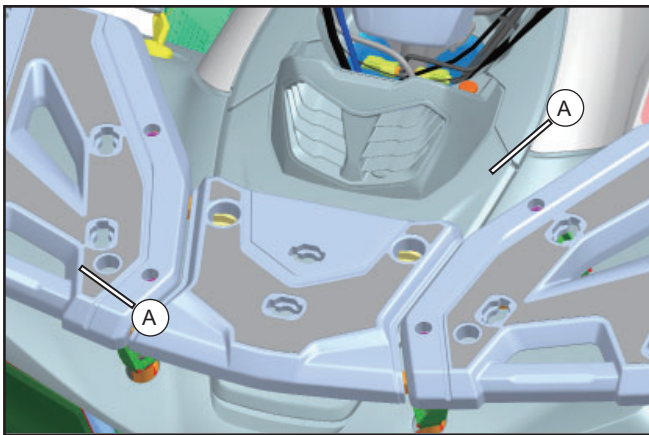
// Reinstall the fuel tank cover (A), left deco plate (B) and right deco plate (C).



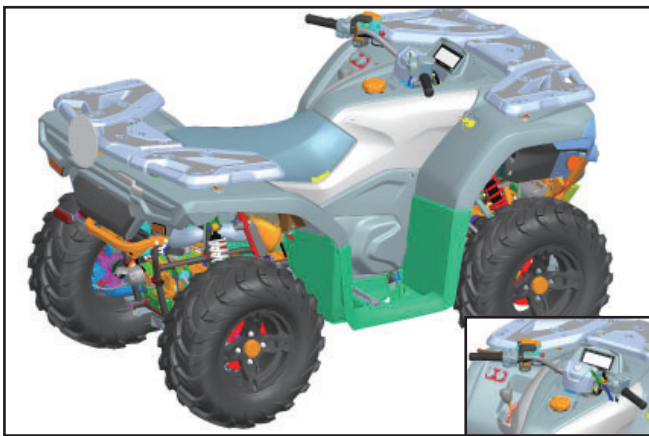
// Reinstall the seat (A) and cap (B) back to the vehicle.



// Tighten the bolts (A).



// Reinstall the maintenance cover (A).



// The heat grip assy assembly is complete.