

# SED-1500/V USERS MANUAL

## *18 Pounds of Carbon for Superior Odor & Smoke Removal*

*READ AND SAVE THESE INSTRUCTIONS* - It is highly recommended that a licensed electrician or licensed contractor install these units.

### **WARNINGS**

- Always unplug or disconnect air cleaner from the power supply before servicing.
- To reduce the risk of shock or injury to persons, do not expose to water or rain, do not use in a window.
- Do not use this fan with any solid-state speed control device.

### **EQUIPMENT**

The SED-1500/V is equipped with 4 eye bolts, 16" on center.

**Each unit includes a 1 year supply of filters** which consists of;

- Twelve (12) - 1/2" Pre-filters
- One (1) - 18 lb. V-Bank Carbon filter
- One (1) - 6" 95% HEPA Filter

Electrical: 120 volts and field hard wired.

### **INSTALLATION**

**Step 1.** Remove the system from the shipping container. Open side access door and remove all 3 filters from the unit. This will make the unit lighter for installation.

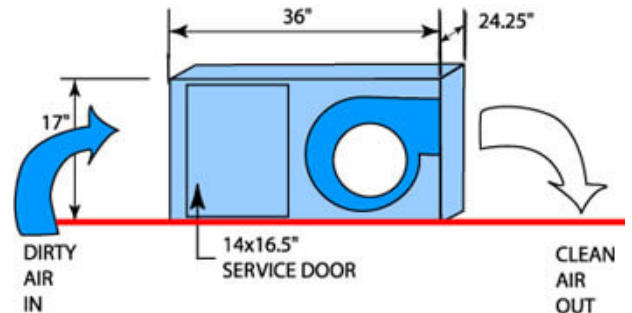
**Step 2.** After deciding on an installation location, locate the studs, rafters, or joists which the unit will be attached to, install eye lags 16" on center (field provided). (Screws if wall mounted are field supplied). We suggest the use of 1 ½" to 2" Philips pan head screws and fender washers.



**Pure n Natural Systems, Inc.**  
**[www.purenatural.com](http://www.purenatural.com)**  
**1-800-237-9199**  
**email – [helpdesk@purenatural.com](mailto:helpdesk@purenatural.com)**

**Step 3.** Use industrial hanging chain (field provided) attach to one eye bolt. Make sure chain is tight. Next connect chain to eye lags on rafter or joists. Continue this procedure for the remaining three eye bolts and lags.

**Step 4.** Attach duct work to system, connect power to 120-volt power supply. Reinstall filters close door and latch.



## FILTER MAINTENANCE

### The SED-1500/V is a 3 Filter System

- Pre-Filter Replace every 3 to 4 weeks.
- Carbon V-Bank Filter Replace at least every 8-12 months.
- HEPA Filter Replace at least every 12 months.

## CHANGING FILTERS

**Step 1.** Unlatch side door.

**Step 2.** The blue **pre-filter** is the first filter located in the unit and is changed every 3 to 4 weeks.

**Step 3.** The **carbon v-bank filter** is located behind the pre-filter and is changed every 8-12 months.

**Step 4.** To change the **H.E.P.A. filter** remove the pre-filter and carbon filter from unit and slide out the H.E.P.A. filter, dispose and replace with new filter. The H.E.P.A. Filter is changed once a year.

**All Filters are disposable and cannot be cleaned or washed. NO CLEANING REQUIRED. Filter maintenance varies according to individual environments.**



*Pure n Natural Systems, Inc.*  
*www.purenatural.com*  
*1-800-237-9199*  
*email – helpdesk@purenatural.com*

# SED-1500/V Ducted HEPA Air Cleaner

Designed for unobtrusive, ducted installation, the SED series serves an entire home or office's air filtration requirements with a single unit. The SED Air Cleaner is suitable for homes, offices or commercial establishments and can be used with hydronic or radiant heating and/or cooling systems. Inflow and outflow air circulation can be customized to your specifications. Consult your HVAC contractor for installation and required ducting (not included). 18 lbs. of carbon make the SED-1500V ideal for areas with high levels of smoke &/or odor. All 3 filters on the air cleaner are easily accessible. 1 unit recommended for every 1,500 square feet.



## **SPECIFICATIONS**

<b>Capacity</b>	Up to 1,500 Sq. Ft.
<b>2 Speed</b>	High – 1200 CFM   Low – 1050 CFM
<b>Installation Options</b>	Joist or Wall Mount
<b>Dimensions</b>	36" L x 24-1/4" W x 17" H
<b>Cabinet Construction</b>	16-gauge gray steel cabinet
<b>Shipping Weight</b>	135 lbs.
<b>Electrical</b>	6.2 amps   120V*, 1/3 Hp
<b>Warranty</b>	10-year warranty. Warranty is effective as long as filters are changed as required.
<b>Certifications</b>	All electrical components and fan motor are UL listed & CSA certified

**NOTE:** The SED-1500/V is equipped with 4 eye bolts installed 16" on center on top of each unit for easy installation.

**NOTE:** The SED series is designed for whole-house contractor-installed ducted use. Mounting is joist or wall (specify at time of order). For optimal air quality it is recommended that a supply air diffuser be located in every room of the home. At minimum there should be at least one supply and one return per floor. Contact a local HVAC Contractor for installation and required ducting (not included).

\* The SED-1500/V Whole house air purification system is designed to be wired to a 120 VAC power source that is interlocked with the HVAC system blower. Wiring connections are located in the junction box. All wiring shall meet local codes.

\* Lifetime Blower/Motor warranty applies if filters are changed as required and are purchased from Pure n Natural Systems, Inc.



**Pure n Natural Systems, Inc.**  
**[www.purenatural.com](http://www.purenatural.com)**  
**1-800-237-9199**  
**email – [helpdesk@purenatural.com](mailto:helpdesk@purenatural.com)**