

LED Volumetric Troffers

CENTER BASKET - POWER & CCT SELECTABLE



Nine Options for Uniform & Smooth Light

Topaz's Center Basket Troffers are now power and color temperature selectable for even more versatility. Choose from three popular wattage and CCT configurations at installation to create the ideal atmosphere for any commercial application. Further enhance energy savings and control the ambiance of offices, hospitals and retail locations with our optional dimmer.

FEATURES

- 3 wattage Levels and 3 CCT choices in a single fixture, offering functionality of 9 SKUs in 1 fixture
- Center basket with deep arc shape volumetric design for uniform and smooth light distribution
- Strong steel housing, white frame with polycarbonate lens
- Spacious junction box for easy wiring and installation
- Universal Input Voltage 120-277V
- Compatible with 1⁵/₁₆" and 9¹/₁₆" drop ceiling or surface mount installation*
- Pre-installed clips to safely secure fixture to the T-grid

SUGGESTED APPLICATIONS

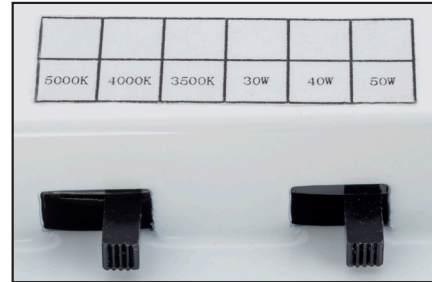
- Offices
- Hospitals
- Commercial applications
- New construction or retrofit installations

LED Volumetric Troffers

CENTER BASKET - POWER & CCT SELECTABLE

GENERAL SPECIFICATIONS

Input Voltage, Frequency: 120-277V, 50/60Hz
Power Factor, THD %: >0.9, <20%
Dimmable: Down to 10% with 0-10V dimmer
Surge Protection Rating: L-N 1kV; L-G: 2kV
Efficacy: 125 LPW
CRI: 80
Ambient Operating Temperature: -4°F to 104°F
Functional Life (L70): 50,000 hours
Location Rating: Damp
IP Rating: IP40



Choose wattage and color temperature at installation for up to 9 configurations!

ITEM SPECIFICATIONS / ORDER INFO

Catalog Number	Order Code	UPC	Lumens	Wattage	Input Current @120/277V	CCT	DLC ID*
F-VTC22/40/PCTS/D-86	72758	751338039186	2,500	20W	0.18/0.08A	3500K	P2YXW34Y
			3,750	30W	0.28/0.12A	4000K	
			5,000	40W	0.36/0.16A	5000K	
F-VTC24/50/PCTS/D-86	72759	751338039193	3,750	30W	0.28/0.12A	3500K	P8F7XH7C
			5,000	40W	0.36/0.16A	4000K	
			6,250	50W	0.45/0.2A	5000K	

NOMENCLATURE

F-VTC = Fixture Volumetric Troffer Center Basket / 22 = 2' x 2' Panel Size / 40 = 40 Watts / P = Power Select 20W|30W|40W CTS = Color Temp. Select / D = Dimmable
 24 = 2' x 4' Panel Size / 50 = 50 Watts / P = Power Select 30W|40W|50W

ACCESSORIES (SOLD SEPARATELY)

Catalog Number	Order Code	UPC	Description
F-L22/FRAME-87	70280	751338035461	2' x 2' Surface Mount Frame Kit
F-L24/FRAME-87	70281	751338035478	2' x 4' Surface Mount Frame Kit
F-L22/FLANGE-87	70277	751338035423	2' x 2' Sheetrock Flange Kit
F-L24/FLANGE-87	70278	751338035447	2' x 4' Sheetrock Flange Kit
BEL4W-UNV	72764	847098046301	LED Emergency Driver
WD-DS710	70605	7847769237	0-10V Dimming Switch

ENERGY SAVINGS

Catalog Number	LED Wattage	Fluorescent Replacement Wattage	Watts Saved	Yearly Savings	5 Year Savings
Based on 12 hours/day and \$0.11/kWh					
F-VTC22/40/PCTS/D-86	20W	2x32W T8 UBEND LBF	24W	\$12	\$58
	30W	2x32W T8 UBEND NBF	28W	\$13	\$67
	40W	2x32W T8 UBEND HBF	25W	\$12	\$60
F-VTC24/50/PCTS/D-86	30W	3x32W T8 LBF	54W	\$26	\$130
	40W	3x32W T8 NBF	47W	\$23	\$113
	50W	3x32W T8 HBF	50W	\$24	\$120

NOTES:

*DLC Primary Use Designation: F-VTC22/40/PCTS/D-86 = 2x2 Luminaires for Ambient Lighting of Interior Commercial Spaces
 F-VTC24/50/PCTS/D-86 = 2x4 Luminaires for Ambient Lighting of Interior Commercial Spaces

*Must use the pre-installed safety clips when installed on the 1/16" T-grid bars

Dimming with standard 0-10V control system or wall dimmers such as Leviton IP710, DS710 or Lutron DVSTV.

Dimming complies with IEC60929 Annex E. Fixture may not be compatible with all dimmers. Visit www.topaz-usa.com/led-dimmer-compatibility for up-to-date dimmer compatibility information.

Specifications subject to change without prior notice. Replacement wattage shown depends on application and fixture.

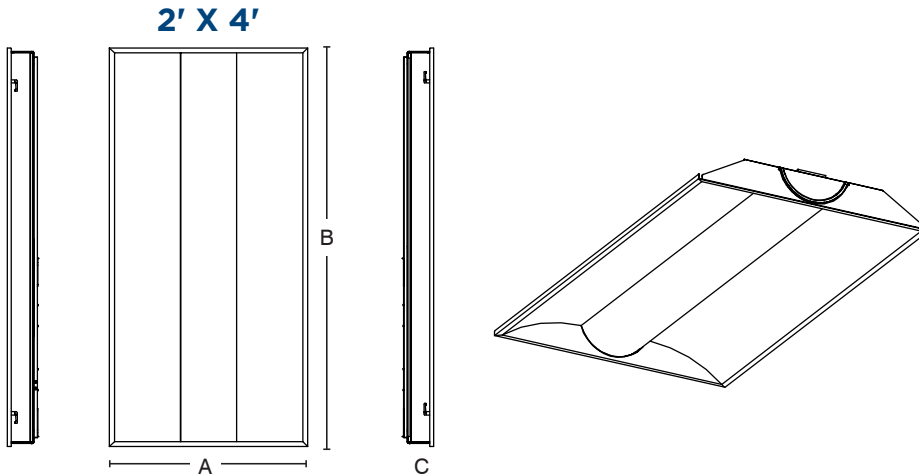
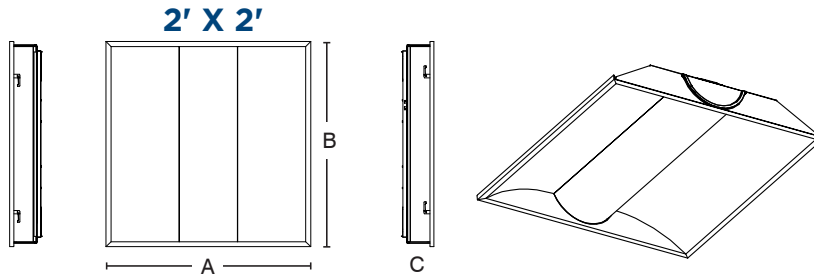
This device complies with Part 15 of the FCC Rules. Operation is subject to the following two conditions: (1) this device may not cause harmful interference, and (2) this device must accept any interference received, including interference that may cause undesired operation.

LED Volumetric Troffers

CENTER BASKET - POWER & CCT SELECTABLE

PRODUCT DIMENSIONS / LINE DRAWINGS

Catalog Number	Length (A)	Width (B)	Depth (C)	Weight
F-VTC22/40/PCTS/D-86	23.74"	23.74"	3.63"	8.2 Lbs
F-VTC24/50/PCTS/D-86	23.74"	47.72"	3.63"	14.4 Lbs.
F-L22/FRAME-87	24.0"	24.0"	4.3"	6.6 Lbs.
F-L24/FRAME-87	24.0"	48.0"	4.3"	7.6 Lbs.
F-L22/FLANGE-87	24.0"	24.0"	1.8"	5.8 Lbs.
F-L24/FLANGE-87	26.0"	48.0"	2.9"	8.5 Lbs.



2' x 4' Sheetrock Flange Kit

2' x 4' Frame Kit

2' x 2' Sheetrock Flange Kit

2' x 2' Frame Kit

