

# Shoe Box F Series

- **IP65.**
- **Battery back up.**
- **Motion sensor and daylight sensor.**
- **Color changeable and power adjustable.**

## Feature

- IP65, Battery back up.
- Extra photocell sensor available.
- Motion sensor and daylight sensor.
- Color changeable and power adjustable.
- Comes with multiple bracket options, 5 year warranty on the entire luminaire.
- Specialized designed for outdoor parking lot and wide area with super slim design.
- System luminous efficacy 140 lumens per watt, with lifespan of more than 50,000 hours.

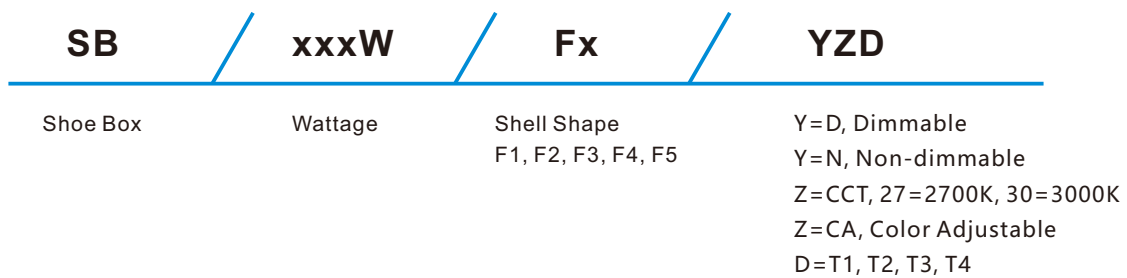


## Application

Industrial and commercial applications.

For road and area lighting like: tunnels, parking lots, auto dealerships, high masts, apartments, residential complexes, shopping malls, sporting complexes and fields, educational facilities, streets, roadways, parks, etc.

## Ordering Guide



## Specification

Model	F1	F2	F3	F4	F5
Wattage	60W/80W/100W	60W/80W/100W /120W/150W	60W/80W/100W/120W /150W/200W	60W/80W/100W/120W /150W/200W*/300W*	60W/80W/100W/120W /150W/200W*/300W*
Light Efficiency	140 Lm/w				
Input Voltage	100-277VAC/277-480VAC				
Power Frequency	50/60Hz				
Power Efficiency	94%				
Power Factor	0.95				
Heat Radiator	Die-Cast Aluminum				
Beam Angle	T2 T3 T4				
CRI	70 / 80				
CCT	2700K-6500K				
Working Life-span	> 50000 hours				
IP Rating	WET LOCATION AND IP65				
Carton Dimensions(SF Bracket)	577x282x146(mm)	600x380x130(mm)	625x380x130(mm)	830x405x125(mm)	890x405x125mm (mm)
Carton Dimensions(AAM Bracket)	515x282x146(mm)	600x380x130(mm)	645x380x130(mm)	830x405x125(mm)	890x405x125mm (mm)
Net Weight(KG)	3.6	5	5.2	6	6.5
Gross Weight(KG)	4.8	6.5	6.7	8	8.5

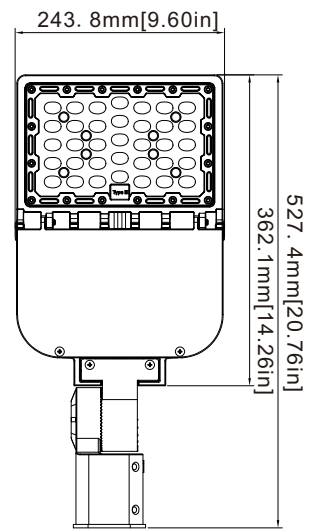
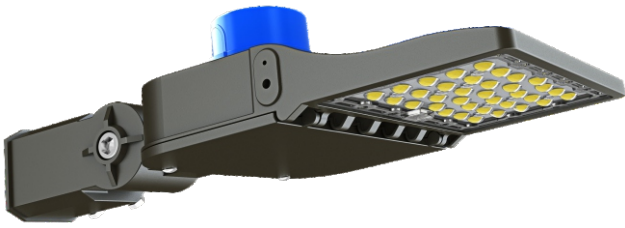
\* All models are fixed CCT option: 2700K-6500K.

\* Only F4(200W) and F5(300W) can be changeable CCT option: 3500K/4000K/5000K. (With a switch to change CCT).

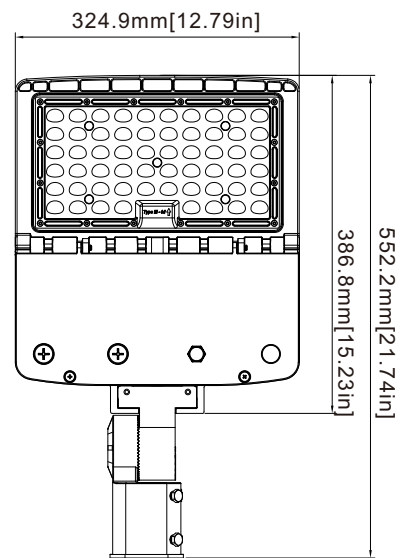


# Dimension

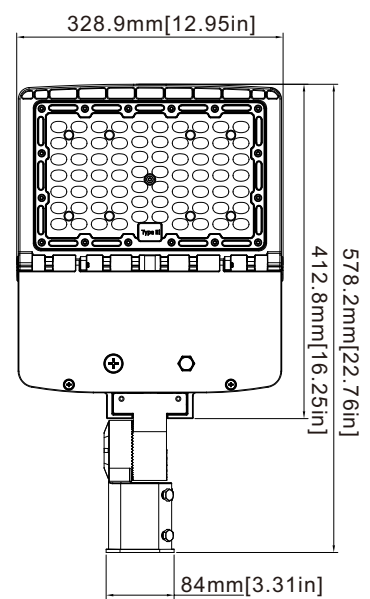
F1



F2

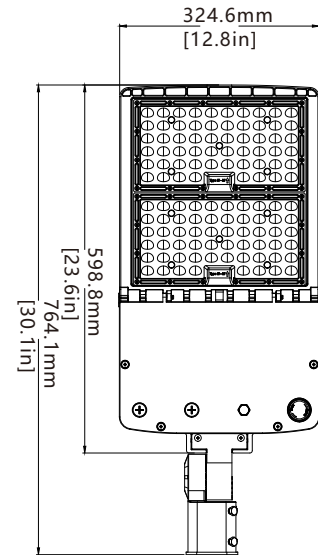


F3

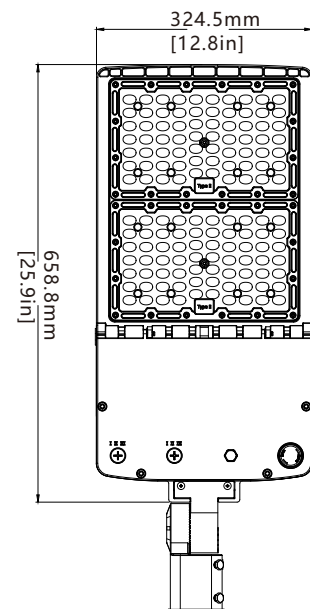


## Dimension

F4



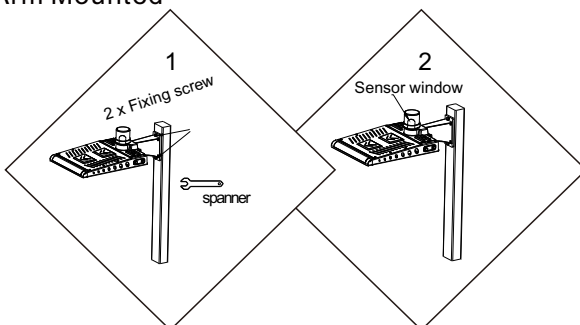
F5



## Installation Guidance

1. Tighten 2 x Fixing screws by spanner, ensure to add star washer avoid the screws will loose.
2. Turn on the power to test shoe box light, but you need to cover the sensor window if there is sunshine.

### Arm Mounted

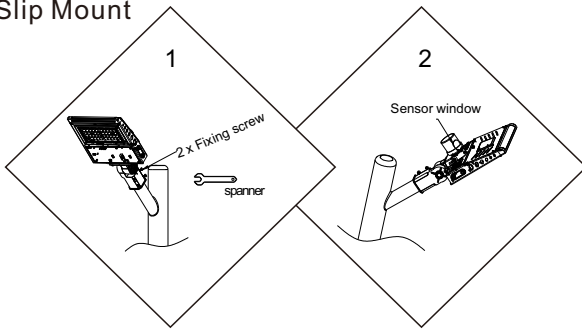


Drill holes on the square pole corresponding to the holes on the arm, and use the bolt and nut plate to fix the fixture to the pole tightly.

Connect the AC wire of the fixture and tighten the water-proof gasket and cover plate on the arm by screws, then power on.

## Installation Guidance

### Slip Mount

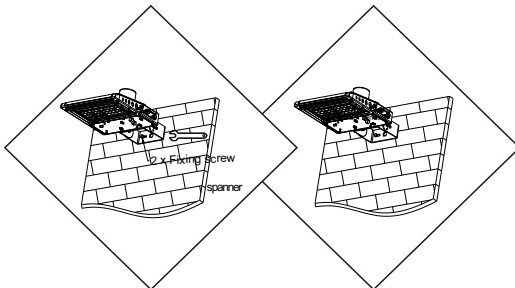


Slip fitter mounts are very easy to install as they usually slide over standard 2 3/8-inch lighting poles.

The biggest advantage of slip fitter mounts is that they give you the ability to angle the light inwards.

They have adjustable heads. They enable you to move the heads to the position you desire.

### Trunnion Mounted



These are versatile mounts and fit at the bottom of the LED Shoe Box lights.

They borrow their design from the mounts that are generally used on flood lights (yoke mounts).

They are the go-to mounts for unique applications.

## Mounting Kits



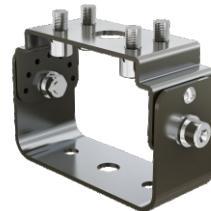
Adjusted Arm Mounting Kit



Arm Mounting Kit



Slip Fitter



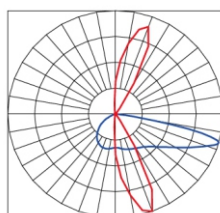
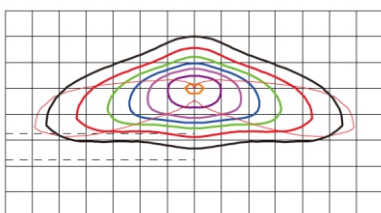
Trunnion Mounting Kit



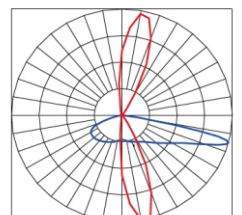
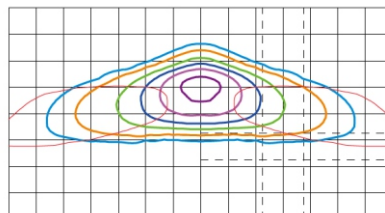
Bracket

## Optic Orientation

### T2M Type II Medium



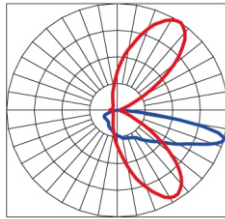
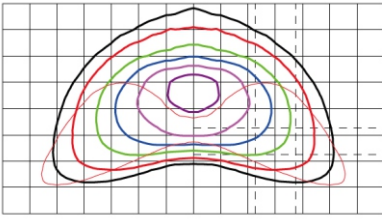
### T3M Type III Medium



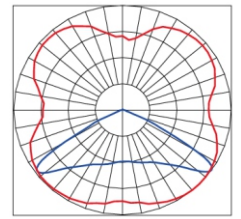
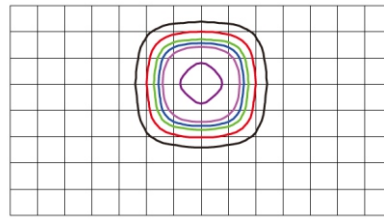


# Optic Orientation

T4S Type IV Short



T5M Type V Medium



# Application

