



T-1 LIGHTING

Project	Catalog #
Distributor	Type
Prepared by	Date

STYLUS STRIP LIGHT SERIES T1-STYLED



The **Stylus Series** is our new generation strip light with revolutionary multi-watt and multi-CCT feature. The field adjustable multi-watt, multi-color dip switch on the driver allows you to change the wattage and color temperature according to your project's needs. This series comes in 4-foot and 8-foot packages. With a slimmer construction and more polished finish, this series has a new modern architectural look that can complement even the most sophisticated spaces. It is equipped with cables to hold the lens safely when cleaning the inner housing or when installing adders such as motion sensor or emergency battery backup. This ensures the lens won't fall and get damaged during installation or maintenance. **Lifespan is 100,00 hours.**



SPEC

Model Number	Input Power	Color Temp	Input Voltage	Lumens	Efficacy	Temp	CRI	IP
T1-STYLED2/MW25-MCCT	Multi Watt 15/20/25W	MCCT	120-277V	1950 - 2620 - 3300	133	-20°C ~ +50°C -4°F ~ +122°F	>82	Damp Locations
T1-STYLED4/MW45-MCCT	Multi Watt 34/38/45W			4522 - 5054 - 5985			>82	
T1-STYLED8/MW90-MCCT	Multi Watt 65/75/90W			8645 - 9975 - 11970			>83	

WARRANTY: SEVEN YEAR PARTS AND FIVE YEAR LABOR
LIFESPAN 100,000 HOURS

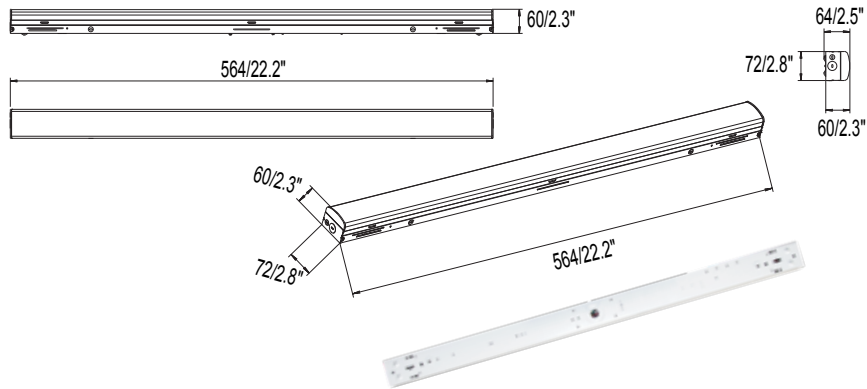
MEASURED AT 3500K

ORDERING OPTIONS

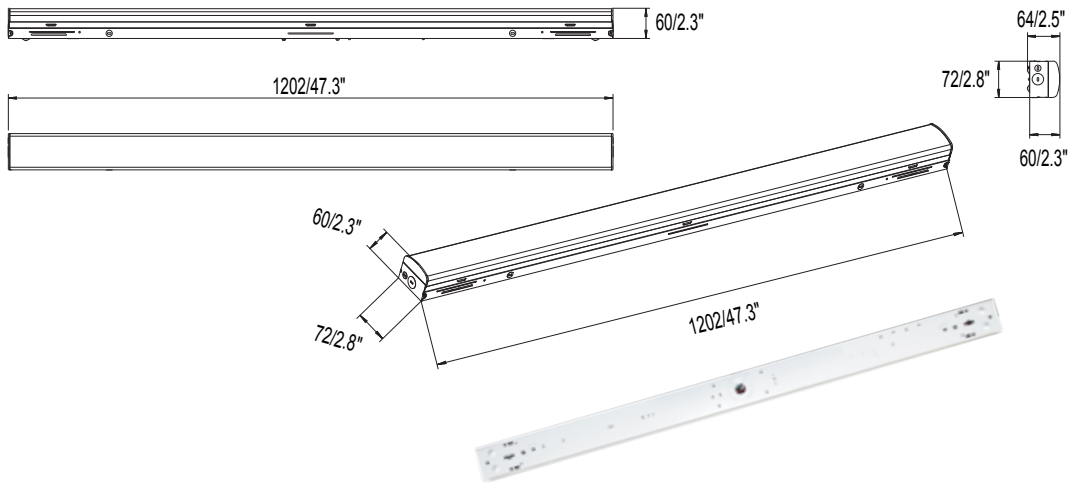
Series	Form Factor	Wattage	Color Temp	Voltage	Dimming	Accessories
T1-STYLED	4/	MW45	-MCCT			-EM
T1-STYLED	2 2' 4 4' 8 8'	2' MW15 15W MW20 20W MW25 25W 4' MW34 34W MW38 38W MW45 45W 8' MW65 65W MW75 75W MW90 90W	-MCCT 3500K 4000K 5000K	[BLANK] 120-277V	[BLANK] 0-10V	[BLANK] EM None Emergency Battery Backup MS Motion Sensor SDT Step Down Transformer SDS Step Dimming Sensor

DIMENSIONS

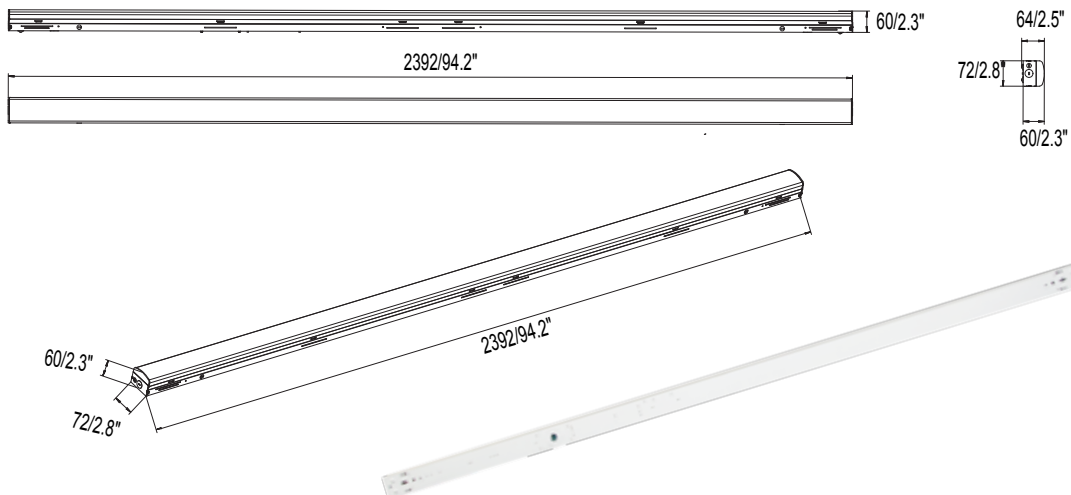
T1-SYLED2/MW25-MCCT



T1-SYLED4/MW45-MCCT

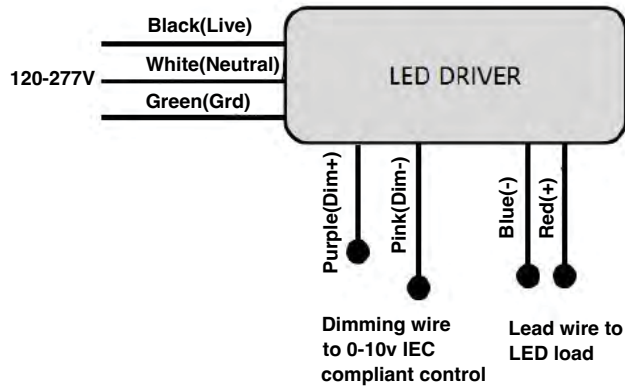


T1-SYLED8/MW90-MCCT



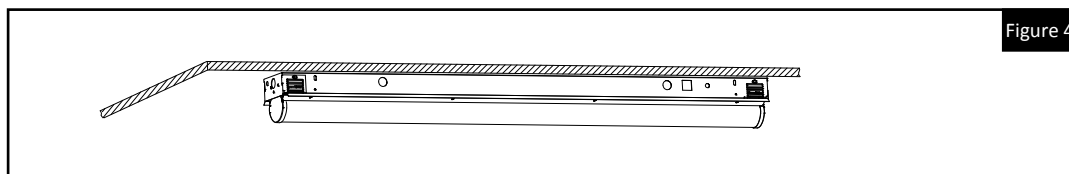
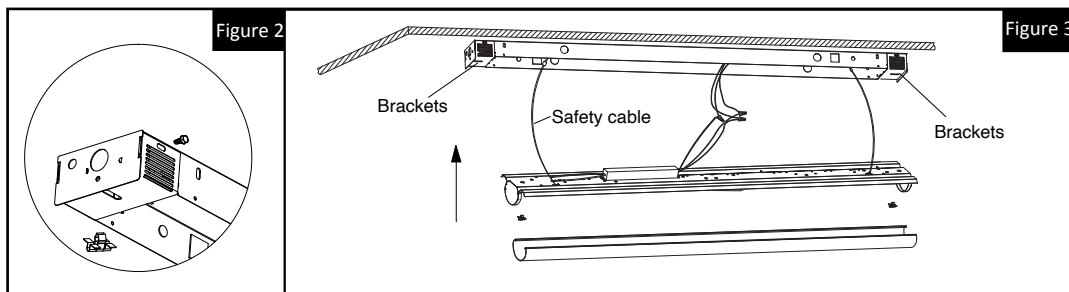
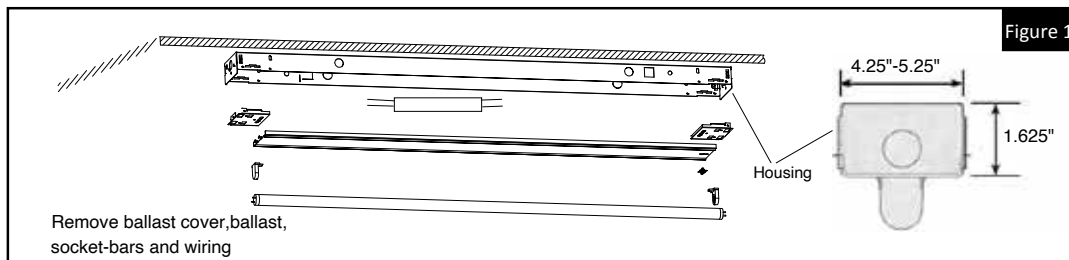
INSTALLATION

General Wiring Diagram



Component Summary

Part	Qty.
Retrofit housing	1
Installation Bracket	2
Installation instruction	1
Lens	1
Label	1



Installation Steps:

1. Shut off power to existing fixture. Disconnect the black and the white power supply wire to existing ballast.
2. Remove and discard the host fixture lamp(s). (Figure 1)
3. Remove ballast cover, ballast, socket-bars and wiring. (Figure 1)
4. Install brackets on both sides of the existing fixture housing. (Figure 2)
5. Make electrical connections. (Figure 3)
6. Install LED retrofit assembly. (Figure 3)
7. Install the lens. (Figure 3)
8. Electrically activate the fixture. (Figure 4)

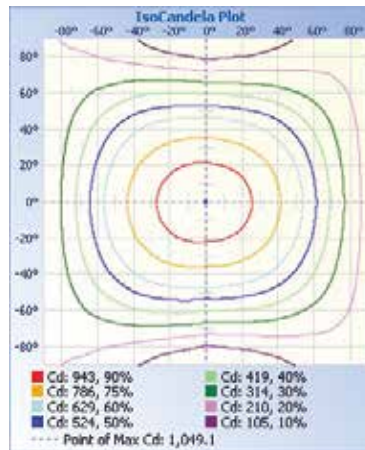
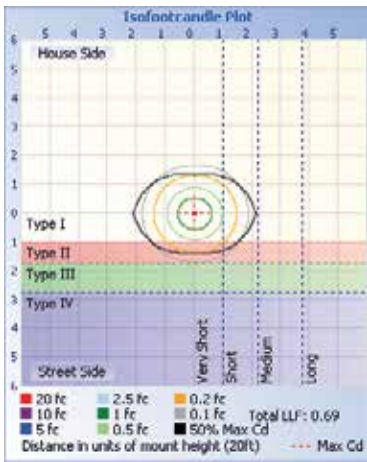


T-1 LIGHTING

STYLUS STRIP LIGHT SERIES T1-STYLED

PHOTOMETRIC DATA

Photometric Data T1-STYLED2/MW25-MCCT

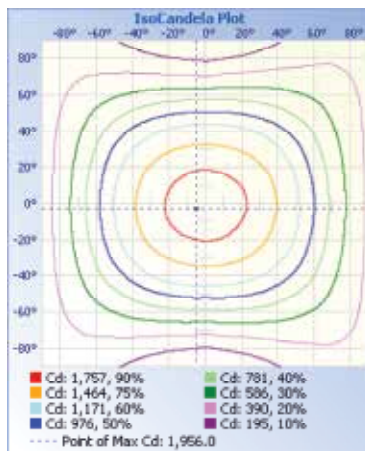


Illuminance at a Distance

Center Beam fc	Beam Width
3.63 fc	45.6 ft 56.7 ft
0.91 fc	91.1 ft 133.4 ft
0.40 fc	136.7 ft 200.1 ft
0.23 fc	182.3 ft 266.8 ft
0.15 fc	227.9 ft 333.5 ft
0.10 fc	273.4 ft 400.9 ft

Vert. Spread: 106.5°
Horz. Spread: 126.0°

Photometric Data T1-STYLED4/MW45-MCCT

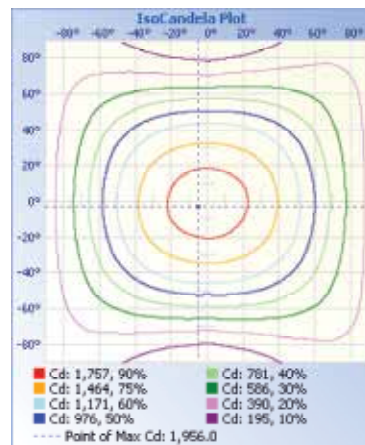


Illuminance at a Distance

Center Beam fc	Beam Width
6.65 fc	42.6 ft 57.2 ft
1.66 fc	85.2 ft 114.3 ft
0.74 fc	127.9 ft 171.5 ft
0.42 fc	170.5 ft 228.6 ft
0.27 fc	213.1 ft 285.0 ft
0.18 fc	255.7 ft 343.0 ft

Vert. Spread: 102.8°
Horz. Spread: 118.5°

Photometric Data T1-STYLED8/MW90-MCCT



Illuminance at a Distance

Center Beam fc	Beam Width
6.65 fc	42.6 ft 57.2 ft
1.66 fc	85.2 ft 114.3 ft
0.74 fc	127.9 ft 171.5 ft
0.42 fc	170.5 ft 228.6 ft
0.27 fc	213.1 ft 285.0 ft
0.18 fc	255.7 ft 343.0 ft

Vert. Spread: 102.8°
Horz. Spread: 118.5°