

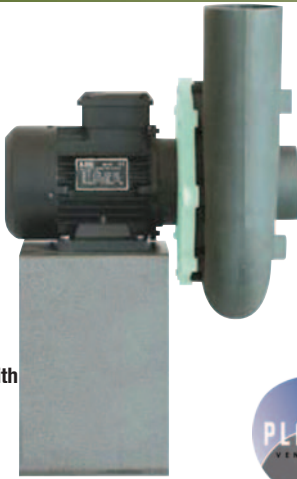
# STORM SERIES POLYPROPYLENE BLOWERS

Designed to exhaust fumes from highly corrosive environments such as laboratory exhaust or the chemical industry, especially those with high static pressure and low CFM. 3 sizes available from 3" to 6" inlet/outlet. It is an excellent system for Scrubber Applications and other systems requiring low airflow at higher static pressure. Suitable for many applications such as acid tank ventilation, hood exhaust, commercial washers wastewater, chemical cabinets/rooms, etc.

## FEATURES

- Polypropylene casing and wheel recommended up to 190°F.
- Housing shall be constructed of strong high-density UV treated polypropylene for maximum corrosion resistance.
- Housing is made of one piece to avoid leaks.
- Housing is rotatable to any of the 8 standard discharge positions.
- Wheels are both electronically and dynamically balanced.
- Direct drive, heavy-duty ball bearing type motors for continuous duty.

\* Shown with optional motor support



## SPECIFICATIONS

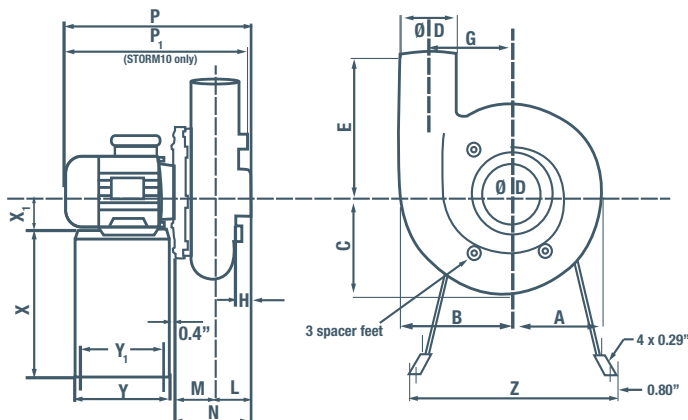
MODEL	MODEL #		INLET/OUTLET SIZE (OD) INCHES	RPM	H.P.	CFM																			
	SINGLE PHASE	THREE PHASE				TEFC																			
			EXPLOSION PROOF																						
MODEL	10	STORM10T10012B	-	2.95/2.95	1725	1/8	60	40	-	-	-	-	-	-	-	-	-	-	-	-	-	-	-		
		STORM10T10016A	STORM10T30016A*	2.95/2.95	3450	1/3	-	-	135	125	100	75	50	-	-	-	-	-	-	-	-	-	-	-	
	12	STORM12T10033B	STORM12T30033B*	3.54/3.54	1725	1/3	225	190	150	125	-	-	-	-	-	-	-	-	-	-	-	-	-	-	
		STORM12T10100A	STORM12T30100A*	3.54/3.54	3450	1	-	-	-	-	380	360	350	325	250	200	-	-	-	-	-	-	-	-	
	14	STORM14T10050B	STORM14T30050B*	4.53/4.53	1725	1/2	-	-	-	-	400	100	-	-	-	-	-	-	-	-	-	-	-	-	
		-	STORM14T30300A*	4.53/4.53	3450	3	-	-	-	-	-	-	-	-	-	-	-	-	-	-	-	800	550	-	-
	16	-	STORM16T30550A*	6.5/6.5	3450	5 1/2	-	-	-	-	-	-	-	-	-	-	-	-	-	-	-	-	-	1200	300
		EXPLOSION PROOF																							
	10	STORM10X10033B	STORM10X30033B*	2.95/2.95	1725	1/3	60	40	-	-	-	-	-	-	-	-	-	-	-	-	-	-	-	-	-
		STORM10X10016A	-	2.95/2.95	3450	1/3	-	-	135	125	100	75	50	-	-	-	-	-	-	-	-	-	-	-	-
	12	STORM12X10033B	STORM12X30033B*	3.54/3.54	1725	1/3	225	190	150	125	-	-	-	-	-	-	-	-	-	-	-	-	-	-	-
		STORM12X10100A	STORM12X30100A*	3.54/3.54	3450	1	-	-	-	-	380	360	350	325	250	200	-	-	-	-	-	-	-	-	-
14	STORM14X10050B	STORM14X30050B*	4.53/4.53	1725	1/2	-	-	-	-	400	100	-	-	-	-	-	-	-	-	-	-	-	-	-	
	-	STORM14X30300A*	4.53/4.53	3450	3	-	-	-	-	-	-	-	-	-	-	-	-	-	-	-	-	800	550	-	
16	-	STORM16X30550A*	6.5/6.5	3450	5 1/2	-	-	-	-	-	-	-	-	-	-	-	-	-	-	-	-	-	-	1200	300

\* For three phase motors, substitute "\*" with "M" for 208-230/460V, or with "P" for 575V

## DIMENSIONS

MODEL	A	B	C	D	E	G	H	L	M	N	Y	Y <sub>1</sub>	Z	X
STORM10	4.53	5.31	5.00	2.95	6.22	3.82	1.26	1.90	2.24	4.14	7.09	6.3	13.39	9.45"
	P <sub>1</sub>	P	X <sub>1</sub>	MOTOR TYPE										
	10.73"	11.88"	2.30"	Single Phase .12 HP 4 Pole										
	13.75"	14.90"	3.16"	Single Phase .16 HP 2 Pole										
	18.00"	19.15"	3.43"	Single Phase .12 HP 4 Pole										

MODEL	WHEEL DIAMETER	A	B	C	D	E	G	H	L	M	N	P	Y	Y <sub>1</sub>	Z	X	X <sub>1</sub>
STORM12	7.75"	5.71"	6.89"	6.42"	3.54"	8.35"	5.12"	1.77"	3.15"	2.83"	5.98"	13.78"	7.09"	6.3"	13.39"	9.45"	2.8"
STORM14	9.75"	7.4"	9.13"	8.94"	4.53"	10.58"	6.69"	4.17"	6.33"	3.27"	9.6"	19.05"	7.125"	6.3"	13.39"	11.75"	3.15"
STORM16	11.75"	9.25"	11.34"	10.94"	6.5"	12.31"	8.07"	1.57"	3.94"	3.82"	7.76"	18.78"	13.78"	12.36"	23.62"	18.43"	4.41"



Metal stand does not come standard with fan. Motor frame sizes may vary upon type of motor used.

## ACCESSORIES

- Weather hood enclosed pedestal for weather protection



WH4 Pedestal Weather Hood



WH3 Pedestal Weather Hood



Plastec products are special non-standard items and are not-returnable and cannot be cancelled.