

Project:	
Type:	
Catalog #:	

STANDARD



FEATURES

- Available in 5000k (cool white) color temperature.*
- Long-life LEDs provide 163,000 hours of operation with at least 70% of initial lumen output (L_{70}), and 50,000 hours with at least 90% of initial lumen output (L_{90}).**
- LED chromaticity based on ≤ 5 -step ANSI quadrangles.
- LED color maintenance ≤ 0.003 chromaticity shift ($\Delta u'v'$) over the initial 6,000 hours of operation.
- Provides 4,900 nominal lumens and draws 37 nominal watts (133 lumens per watt).*
- Universal 120-277 AC voltage (50-60Hz).
- Power factor ≥ 0.90 .
- Total harmonic distortion $\leq 20\%$.
- Color rendering index (R_a) ≥ 80 .
- NEMA photocell receptacle & photocell are standard.
- Die cast aluminum housing with gray powder coat finish.
- Polycarbonate lens.
- Easy installation in new construction or retrofit.

WARRANTY & LISTINGS

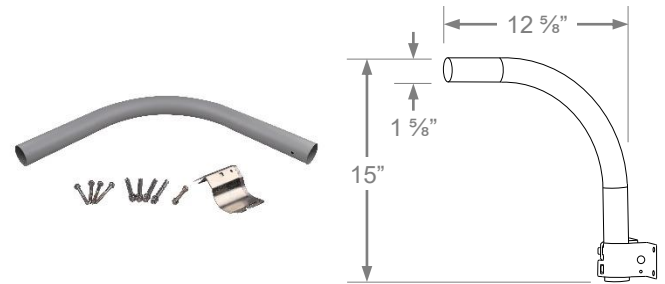
- cULus listed for wet locations in ambient temperatures from -40°C to 45°C (-40°F to 113°F).
- Complies with IEC61000-4-5, input transient surge protection (4kV).
- Complies with FCC Part 15, class A.
- IP65 rated for ingress protection.
- 5-year warranty of all electronics and housing.

* Contact factory for other color temperatures and lumen packages.
 ** L_{70} hours are IES TM-21-11 calculated hours.

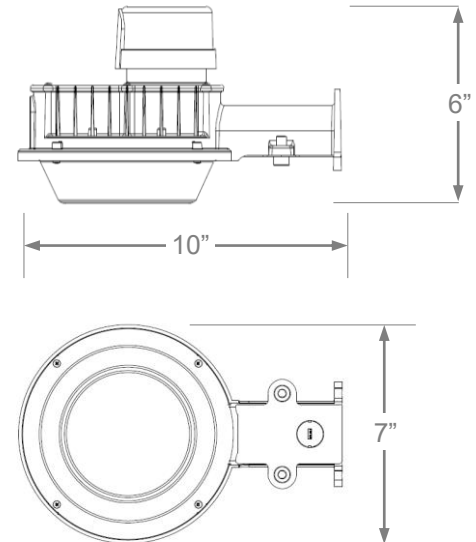


MOUNTING ARM (OPTIONAL)

- Optional powder-coated steel mounting arm attaches to poles or walls. Mounting bracket included.



DIMENSIONS



Weight: 3 lbs.

ORDERING INFORMATION

Example: DDAL-5L-5K-PC

Series	Nominal Lumen Output		Color Temperature		Photocell	Accessories (Order Separately)	
DDAL	5L	5,000	5K	5000k	PC	LED-DDALSN-ARM	Mounting arm with bracket