



LEDR-7

LED RECESSED STEEL EMERGENCY UNIT

STANDARD



ILLUMINATION

- Two fully adjustable 1.0 watt white LED lamp heads.
- High performance chrome-plated metal reflectors and plastic lens for optimal light distribution.

ELECTRICAL

- Dual 120/277 voltage.
- Charge rate/power "ON" LED indicator light and push-to-test switch for mandated code compliance testing.
- LVD (low voltage disconnect) prevents battery from deep discharge.
- 6V maintenance-free, rechargeable sealed lead acid battery.
- Remote capacity of 10.0 watts standard.
- Internal solid-state transfer switch automatically connects the internal battery to lamp heads for minimum 90-minute emergency illumination.
- Fully automatic solid-state, two rate charger initiates battery charging to recharge a discharged battery in 24 hours.

MOUNTING

- Bar hangers on the back box for recessed mount.
- Compatible with drop ceiling mount installations.

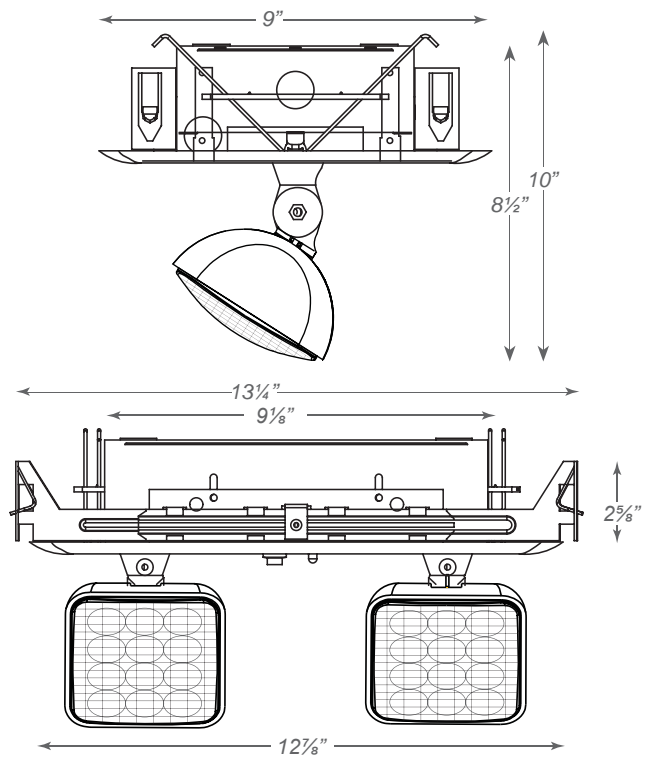
HOUSING

- Durable 20-gauge steel trim plate in white or black finish.
- Trim securely attached to housing with spring clips.

WARRANTY / LISTING

- Five year warranty on all electronics and housing. Battery prorated for two years.
- Meets UL924, NFPA 101 Life Safety Code, NEC, OSHA, Local and State Codes.
- UL Listed for dry locations. (25°C)

DIMENSIONS



ORDERING INFORMATION

Sample Part Number: LEDR-7

Special Voltage options available.
Check with your Best Lighting representative.

MODEL	HOUSING COLOR	
LEDR-7	(blank)	White
	B	Black