

LED FHB90 90 Watt Full-Body LED High Bay

| | |
|------------|--|
| Project: | |
| Type: | |
| Catalog #: | |

STANDARD



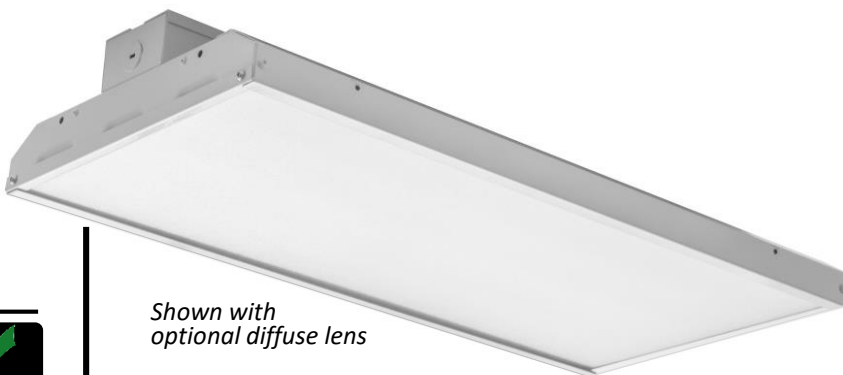
The LEDFHB90 is a full-body, premium-performance LED high bay luminaire. It is designed to illuminate a wide variety of settings, including commercial, industrial & retail settings such as warehouses, manufacturing plants, sporting venues and big-box retailers. With a painted, steel housing, the LEDFHB90 provides high levels of durability and performance. High-efficacy, long-life LEDs provide both energy and maintenance cost savings compared to traditional, HID high bays.

FEATURES

- Available in 4000k (neutral white) and 5000k (cool white) color temperatures.*
- Long-life LEDs provide 122,000 hours of operation with at least 70% of initial lumen output (L_{70}).**
- Delivers 12,420 lumens (138 lumens per watt, LPW) at 4000k, and 12,600 lumens (140 LPW) at 5000k.*
- Universal 120-277 AC voltage (50-60Hz) is standard.
- Step-down transformers are required for 347-480V applications. Use optional transformer cover box for enclosed wire connections (see page two for details).
- 0-10vdc dimming drivers are standard.
- Power factor > 0.90.
- Total harmonic distortion < 20%.
- Color rendering index > 80.
- Painted steel housing.
- Easy installation in new construction or retrofit.
- Chain-mount kits (includes v-hooks and 1/8" thick, 1-meter long chain) are standard.
- Options include lenses (clear & diffused), wire-guard kits surface-mounting kits, pendant-mounting kits, and cable-mounting kits.

* Contact factory for other color temperatures and lumen packages.

** L_{70} hours are IES TM-21-11 calculated hours.



Shown with optional diffuse lens

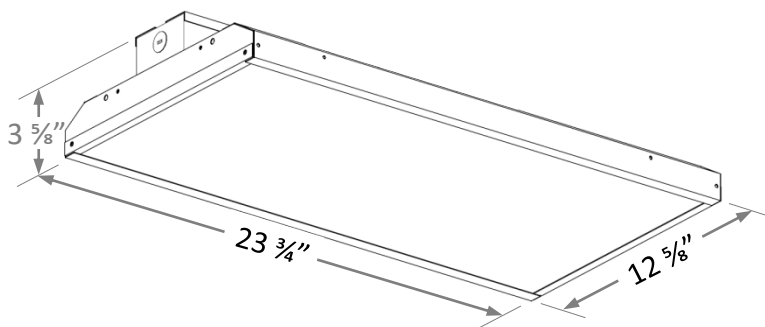
WARRANTY & LISTINGS

- cULus listed for damp locations in ambient temperatures from -20°C to 50°C (-4°F to 122°F).
- DLC premium approved.
- Complies with RoHS (Restriction on Hazardous Substances) requirements
- Complies with FCC Part 15, class A.
- Complies with IEEE C.62.41-1991, input transient protection (2.5kV).
- 5-year warranty of all electronics and housing.

MOUNTING OPTIONS

- Chain mounting with V-hooks is standard.
- Optional surface mounting kit provides attachment to flat ceilings.
- Optional pendant mounting kit provides pendant attachment to 1/2" rigid conduit.
- Optional cable mounting kits provide suspension at two lengths (i.e., 3 & 5 meters).

DIMENSIONS



Weight: 9.9 lbs.

ORDERING INFORMATION

Example: LEDFHB90-4K-MVDIM + LEDFHB90/95-CRLENS + LEDFHB90/95-WG + LEDFHB-SMK4
(90 watt high bay, 4000k, 0-10vdc dimming, + clear lens + wire guard + surface-mount kit)

| Model | Luminaire Watts | Luminaire Lumens | Lumens Per Watt | Color Temperature | Options (Order Separately) |
|-------------------|-----------------|------------------|-----------------|-------------------|---|
| LEDFHB90-4K-MVDIM | 90 | 12,420 | 138 | 4K = 4000k | LEDFHB90/95-CRLENS = Clear lens |
| LEDFHB90-5K-MVDIM | 90 | 12,600 | 140 | 5K = 5000k | LEDFHB90/95-DIFLENS = Diffuse lens |
| | | | | | LEDFHB90/95-WG = Wire-guard kit |
| | | | | | LEDFHB-SMK4 = Surface-mount kit, 4 LED modules |
| | | | | | LEDFHB-PMK = Pendant-mount kit |
| | | | | | LEDFHB-CMK3 = Cable-mounting kit, 3 meters long |
| | | | | | LEDFHB-CMK5 = Cable-mounting kit, 5 meters long |
| | | | | | KTAT-250-480-277/A = 347/480V to 277V transformer, 250W |
| | | | | | KTAT-375-480-277/A = 347/480V to 277V transformer, 375W |
| | | | | | BLPSDTX-COVER = Transformer cover box |

LED FHB90 90 Watt Full-Body LED High Bay

ELECTRICAL DATA

| Model | Color Temp. | CRI ¹ | Luminaire Lumens | Luminaire Watts | Lumens/Watt | Input Voltage ² | Input Current (A) | | | Power Factor | THD ³ | L ₇₀ Hours ⁴ |
|--------------------|-------------|------------------|------------------|-----------------|-------------|----------------------------|-------------------|------|------|--------------|------------------|------------------------------------|
| | | | | | | | 120V | 240V | 277V | | | |
| LED FHB90-4K-MVDIM | 4000k | >80 | 12,420 | 90 | 138 | 120-277 | 0.75 | 0.38 | 0.32 | >90% | <20% | 122,000 |
| LED FHB90-5K-MVDIM | 5000k | >80 | 12,600 | 90 | 140 | 120-277 | 0.75 | 0.38 | 0.32 | >90% | <20% | 122,000 |

¹ Color rendering index.

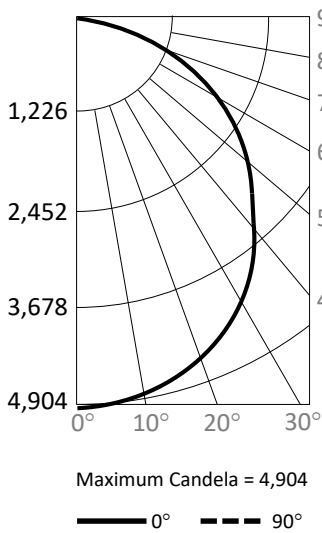
² All 50-60Hz.

³ Total harmonic distortion.

⁴ L₇₀ refers to the number of hours at which lumen output declines to 70% of the initial level. L₇₀ hours are IES TM-21-11 calculated hours.

PHOTOMETRIC DATA

LED FHB90-5K-MVDIM (12,600 Lumens)



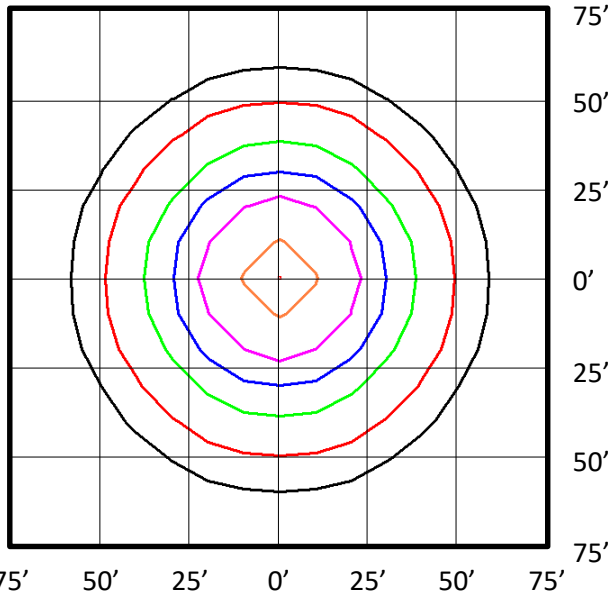
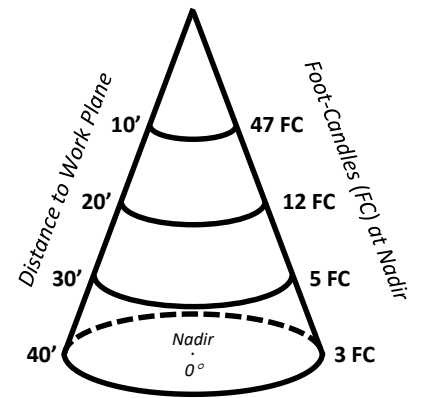
Candlepower Summary

| | 0° | 90° |
|-----|-------|-------|
| 0° | 4,904 | 4,904 |
| 10° | 4,826 | 4,807 |
| 20° | 4,606 | 4,552 |
| 30° | 4,174 | 4,093 |
| 40° | 3,534 | 3,434 |
| 50° | 2,722 | 2,562 |
| 60° | 1,832 | 1,663 |
| 70° | 1,029 | 900 |
| 80° | 396 | 326 |
| 90° | 0 | 0 |

Zonal Lumen Summary

| Zone | Lumens | % Fixture |
|------------|--------|-----------|
| 0° – 10° | 465 | 3.7% |
| 0° – 20° | 1,797 | 14.3% |
| 0° – 30° | 3,809 | 30.2% |
| 0° – 40° | 6,197 | 49.2% |
| 0° – 50° | 8,553 | 67.9% |
| 0° – 60° | 10,488 | 83.2% |
| 0° – 70° | 11,791 | 93.6% |
| 0° – 80° | 12,446 | 99.8% |
| 0° – 90° | 12,600 | 100.0% |
| 90° – 180° | 0 | 0.0% |
| 0° – 180° | 12,600 | 100.0% |

Cone of Light



Notes:

- Isofootcandle plots depict initial footcandles at grade.
- Gridlines represent units of mounting height of 25 feet.

Transformer Cover Box:

- Attach transformer to cover box.
- Make wiring connections.
- Attach transformer cover box assembly to luminaire driver enclosure.

