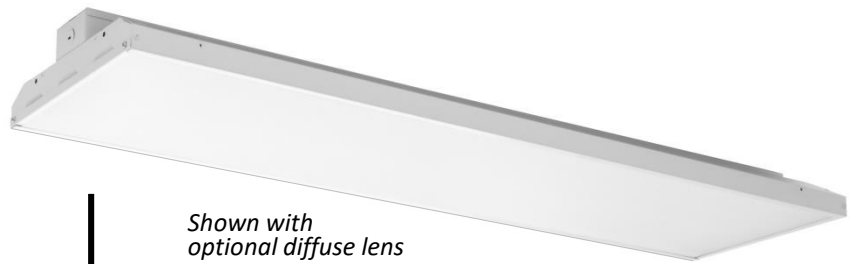


LED FHB178 178 Watt Full-Body LED High Bay

Project:	
Type:	
Catalog #:	



Shown with optional diffuse lens

STANDARD



The LEDFHB178 is a full-body, premium-performance LED high bay luminaire. It is designed to illuminate a wide variety of settings, including commercial, industrial & retail settings such as warehouses, manufacturing plants, sporting venues and big-box retailers. With a painted, steel housing, the LEDFHB178 provides high levels of durability and performance. High-efficacy, long-life LEDs provide both energy and maintenance cost savings compared to traditional, HID high bays.

FEATURES

- Available in 4000k (neutral white) and 5000k (cool white) color temperatures.*
- Long-life LEDs provide 122,000 hours of operation with at least 70% of initial lumen output (L_{70}).**
- Delivers 24,564 lumens (138 lumens per watt, LPW) at 4000k, and 24,920 lumens (140 LPW) at 5000k.**
- Universal 120-277 AC voltage (50-60Hz) is standard.
- Step-down transformers are required for 347-480V applications. Use optional transformer cover box for enclosed wire connections (see page two for details).
- 0-10vdc dimming drivers are standard.
- Power factor > 0.90.
- Total harmonic distortion < 20%.
- Color rendering index > 80.
- Painted steel housing.
- Easy installation in new construction or retrofit.
- Chain-mount kits (includes v-hooks and 1/8" thick, 1-meter long chain) are standard.
- Options include lenses (clear & diffused), wire-guard kits surface-mounting kits, pendant-mounting kits, and cable-mounting kits.

* Contact factory for other color temperatures and lumen packages.

** L_{70} hours are IES TM-21-11 calculated hours.

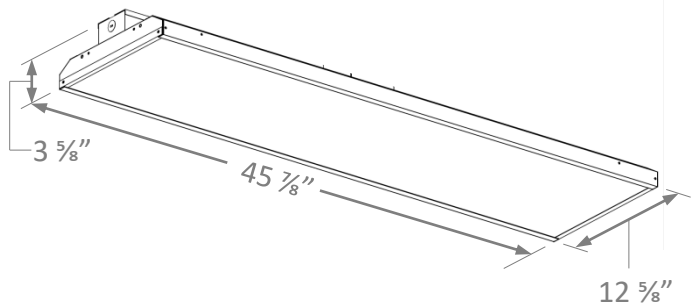
WARRANTY & LISTINGS

- cULus listed for damp locations in ambient temperatures from -20°C to 50°C (-4°F to 122°F).
- DLC premium approved.
- Complies with RoHS (Restriction on Hazardous Substances) requirements
- Complies with FCC Part 15, class A.
- Complies with IEEE C.62.41-1991, input transient protection (2.5kV).
- 5-year warranty of all electronics and housing.

MOUNTING OPTIONS

- Chain mounting with V-hooks is standard.
- Optional surface mounting kit provides attachment to flat ceilings.
- Optional pendant mounting kit provides pendant attachment to 1/2" rigid conduit.
- Optional cable mounting kits provide suspension at two lengths (i.e., 3 & 5 meters).

DIMENSIONS



Weight: 17.1 lbs.

ORDERING INFORMATION

Example: LEDFHB178-4K-MVDIM + LEDFHB178/180-CRLENS + LEDFHB178/180-WG + LEDFHB-SMK4
(178 watt high bay, 4000k, 0-10vdc dimming, + clear lens + wire guard + surface-mount kit)

Model	Luminaire Watts	Luminaire Lumens	Lumens Per Watt	Color Temperature	Options (Order Separately)
LEDFHB178-4K-MVDIM	178	24,564	138	4K = 4000k	LEDFHB178/180-CRLENS = Clear lens
LEDFHB178-5K-MVDIM	178	24,920	140	5K = 5000k	LEDFHB178/180-DIFLENS = Diffuse lens
					LEDFHB178/180-WG = Wire-guard kit
					LEDFHB-SMK4 = Surface-mount kit, 4 LED modules
					LEDFHB-PMK = Pendant-mount kit
					LEDFHB-CMK3 = Cable-mounting kit, 3 meters long
					LEDFHB-CMK5 = Cable-mounting kit, 5 meters long
					KTAT-250-480-277/A = 347/480V to 277V transformer, 250W
					KTAT-375-480-277/A = 347/480V to 277V transformer, 375W
					BLPSDXTX-COVER = Transformer cover box

LED FHB178 178 Watt Full-Body LED High Bay

ELECTRICAL DATA

Model	Color Temp.	CRI ¹	Luminaire Lumens	Luminaire Watts	Lumens/Watt	Input Voltage ²	Input Current (A)			Power Factor	THD ³	L ₇₀ Hours ⁴
							120V	240V	277V			
LED FHB178-4K-MVDIM	4000k	>80	24,564	178	138	120-277	1.48	0.74	0.64	>90%	<20%	122,000
LED FHB178-5K-MVDIM	5000k	>80	24,920	178	140	120-277	1.48	0.74	0.64	>90%	<20%	122,000

¹ Color rendering index.

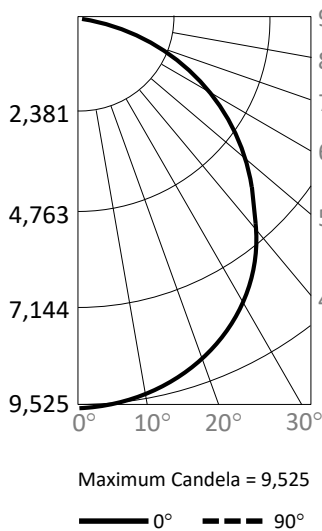
² All 50-60Hz.

³ Total harmonic distortion.

⁴ L₇₀ refers to the number of hours at which lumen output declines to 70% of the initial level. L₇₀ hours are IES TM-21-11 calculated hours.

PHOTOMETRIC DATA

LED FHB178-5K-MVDIM (24,920 Lumens)



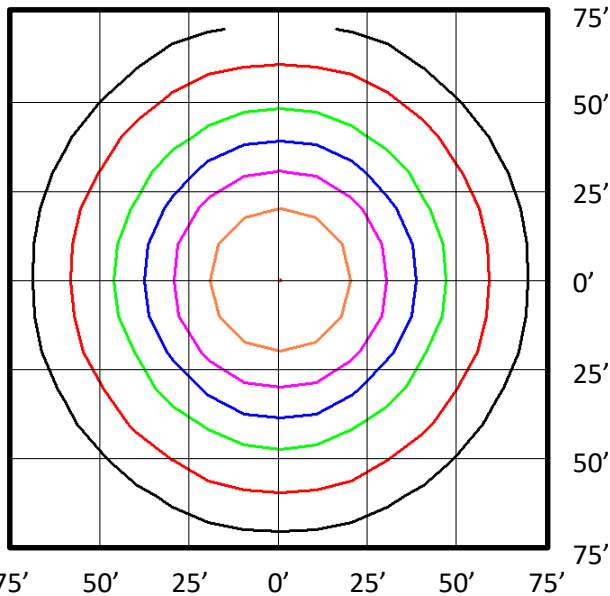
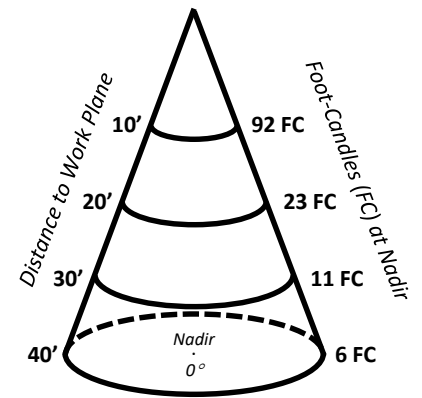
Candlepower Summary

	0°	90°
0°	9,525	9,525
10°	9,346	9,390
20°	8,863	8,894
30°	8,010	8,024
40°	6,793	6,731
50°	5,210	5,038
60°	3,477	3,265
70°	1,890	1,773
80°	664	656
90°	0	0

Zonal Lumen Summary

Zone	Lumens	% Fixture
0° – 10°	903	3.6%
0° – 20°	3,495	14.0%
0° – 30°	7,430	29.8%
0° – 40°	12,123	48.6%
0° – 50°	16,791	67.4%
0° – 60°	20,657	82.9%
0° – 70°	23,271	93.4%
0° – 80°	24,599	98.7%
0° – 90°	24,920	100.0%
90° – 180°	0	0.0%
0° – 180°	24,920	100.0%

Cone of Light



Notes:

- Isofootcandle plots depict initial footcandles at grade.
- Gridlines represent units of mounting height of 25 feet.

Transformer Cover Box:

- Attach transformer to cover box.
- Make wiring connections.
- Attach transformer cover box assembly to luminaire driver enclosure.

