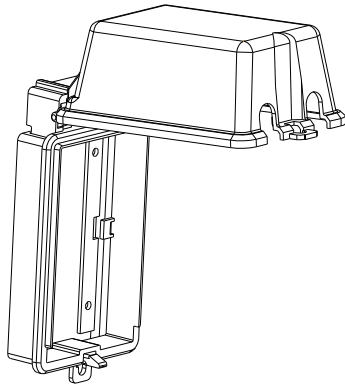


# INSTALLATION INSTRUCTIONS



## IUC1V-D

In-Use Weatherproof Enclosure



### SPECIFICATIONS

Receptacle Rating.....	15-20A 125 to 250VAC
Receptacle Type.....	Decorator GFCI Type
Depth.....	2-3/4 in

### DESCRIPTION

This One Gang In-Use Weatherproof Enclosure can be used for outdoors or in other wet locations, is designed to withstand the elements, any season, rain or shine (protects receptacles while in use for unattended applications). It's UL Listed, NEMA 3R rated, and meets National Electrical Code requirements covered by Article 410-57(b) and designed to meet NEC-210-60(b).

### FEATURES

- Polycarbonate construction provides max durability
- Single gang NEMA 3R receptacle cover
- Includes gasket and mounting hardware
- Extra duty
- Lockable tap

### WARNING

**Turn the POWER OFF at the circuit breaker before installing the receptacle.**

Read and understand these instructions before installing. This device is intended for installation in accordance with the National Electric Code and local regulations. It is recommended that a qualified electrician performs this installation. Make sure to turn off the circuit breaker or fuse(s) and make sure power is off before wiring the device.

### INSTALLATION DIRECTIONS

1. Disconnect power to the receptacle at the circuit breaker panel before installing.
2. If installing on an existing receptacle, remove and discard the existing cover, plate and gasket.
3. Position the gasket as required after removing the appropriate perforated sections. It can be temporarily held onto the back of the base using the mounting hardware provided.
4. Align the receptacle and support bracket with the junction box then attach the assembly onto the junction box using the two long screws provided. To ensure weatherproof protection, the hinges must be located at the top. If mounting to an outdoor junction box or FS box, use the remaining long screws to further secure the base assembly to the junction box, using the existing holes. For specially designed junction boxes, mounting holes should be drilled to line up with the hole in the box.
5. Be sure all screws are firmly secured but not over-tightened.
6. To open, bent back the plastic latch while lifting the cover, a hasp is provided for padlocking.

### WARRANTY INFORMATION

This device is warranted to be free of material and workmanship defects for 1 year from the date of purchase. Original receipt or proof of purchase from an authorized retailer must be presented upon warranty claim. ALL claims must be verified and approved by Enerlites, Inc. Warranties from other Enerlites products may vary. This warranty is nontransferable and does not cover normal wear and tear or any malfunction, failure, or defect resulting from misuse, abuse, neglect, alteration, modification, or improper installation. To the fullest extent permitted by the applicable state law, Enerlites shall not be liable to the purchaser or end user customer of Enerlites products for direct, indirect, incidental, or consequential damages even if Enerlites has been advised of the possibility of such damages. Enerlites' total liability under this or any other warranty, express or implied, is limited to repair, replacement or refund. Repair, replacement or refund are the sole and exclusive remedies for breach of warranty or any other legal theory.



© 2017 Enerlites Inc.  
CA, U.S.A.  
WWW.ENERLITES.COM  
0209170103

