

## Weatherproof Enclosure Extra Duty

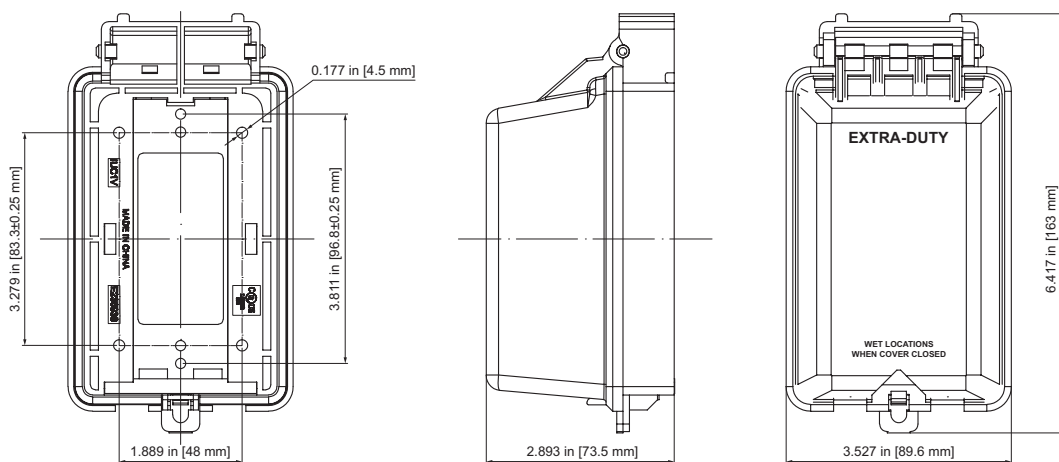


Model No.: IUC1V

**Description:** The IUC1V is a single gang in-use weatherproof enclosure which can be used outdoors or in wet locations (protects receptacles while in use for unattended applications). It's UL Listed, NEMA 3R rated and meets National Electrical Code requirements covered by Article 410-57 (b) and designed to meet NEC-210-60 (b).

### Features:

- Weatherproof while in use
- Fitting with 16 gauge or lighter cord
- Universal application single gang
- Quick installation
- Maximum impact resistant
- Easily painted
- Easily configured
- UV stabilized
- Non-conductive



### Testing & Code Compliance

- UL Listed device

