



# The Millwright™

a naturaLED® brand

PROJECT: \_\_\_\_\_

SCHEDULE: \_\_\_\_\_ DATE: \_\_\_\_\_

PREPARE BY: \_\_\_\_\_

NOTES: \_\_\_\_\_

## HBR INDUSTRIAL HIGH BAY

### DESCRIPTION

naturaLED® Industrial Round High Bay offers the perfect solution for your lighting needs for your industrial application. This new design allows us to optimize all the beneficial characteristics of LED lights in a high-performance fixture that will endure toughest environments: dirty, dusty, wet and high vibration areas of industrial plants.

naturaLED® Industrial Round High Bay Lights are extremely durable, yet lightweight, with excellent thermal design. Available in 200W and 340W, 110° (Medium) beam pattern, and can operate in ambient temperatures of up to 158 degrees Fahrenheit (70°C) at full lumen output.

### APPLICATIONS

Warehouse Lighting, Steel Mill Factory, Industrial Facility, Factories

### FEATURES

- DLC qualified
- IP66 rated (Protection against powerfully jetting water and dust tight)
- ETL Listed
- Voltage: 120-277V / 277-480V (250Vdc)
- Power Factor: >0.9
- Beam Angle: 110° (Medium) beam pattern ; 80° (Narrow) with aluminum reflector for optional purchase
- Dimmable: 0-10V
- CRI > 80
- THD: <15%
- Operating temperature: -22°F - 158°F (-40°C - 70°C)
- 70°C (158°F) operating temp at full lumen output
- L70 Rated Chip for over 100,000 projected life hours
- Uniform and consistent color: ANSI C78.377-2017
- Premium outdoor rated lens
- Dust-Free Design
- Light weight: <13 lbs (fixture weight when driver remotely mounted)
- 3/4" NPT mounting thread for standard mounting
- Remote driver system up to 100ft
- Material: die cast aluminum
- Finish: Corrosion resistant powder coating
- 5 Year Warranty
- Optional for purchase: wireless control system\*, Reflector, Cable, Rod



### ACCESSORIES

- Yoke Mount
- Surge Protector (120-277V)
- Surge Protector (347-480V)
- Surge Protector (120-277/347-480V)
- Aluminum Reflector
- 30ft Cable
- Pendant Rod

### SAMPLE NUMBER FX16HBR200/110/850/IP66/MV

STYLE	DIAMETER	SERIES	Beam Angle	CRI/COLOR TEMP	IP rating	VOLTAGE
FX	16	HBR	110	850	IP66	MV
Fixture	16 inch	High Bay Round	110 degree	CRI 80 5000K	IP66	Multiple Voltage



\*Please check with our sales rep for more detail

### ORDERING

\*P= Premium DLC / \*S = Standard DLC

Watts (W)	Ordering Code	Description	Color Temp (K)	Lumens (lm)	Efficacy (lm/W)	Voltage	IP66 Rated	DLC (P/S)
100	<b>7523</b>	FX16HBR100/110/850/IP66/MV	5000K	17,872	150	120-277V	•	S
100	<b>7524</b>	FX16HBR100/110/850/IP66/480	5000K	17,892	150	277-480V	•	S
200	<b>9576</b>	FX16HBR200/110/850/IP66/MV	5000K	35,472	175	120-277V	•	S
200	<b>9573</b>	FX16HBR200/110/850/IP66/480	5000K	36,281	175	277-480V	•	S
340	<b>9599</b>	FX16HBR340/110/850/IP66/MV	5000K	57,532	165	120-277V	•	S
340	<b>9574</b>	FX16HBR340/110/850/IP66/480	5000K	57,826	165	277-480V	•	S

### ACCESSORIES (Ordered Separately)



#### Yoke Mount

P10439 MT-YK-HBR16-BK  
(Yoke mount for HBR 16" Black)



#### 30ft Cable

P10230 PWC-300V2-30ft-QC  
(30ft-300V 2-Conductor w/connector)



#### Aluminum Reflector

P10440 CVR-16HBR-80-AL  
80° Reflector for 16" Industrial High Bay  
(23.2" Diameter x 9.84" Height)



#### Pendant Rod

P10233 MT-PIPE075-MPT-18IN/BK  
3/4" NPT 18" Black Steel Pendant Rod (Threaded)



#### Surge Protector

P10390 SPD-L-20KV-277  
(Long (Parallel) Type 20KV 120-277V)



#### Surge Protector

P10391 SPD-L-20KV-480  
(Long (Parallel) Type 20KV 347-480V)



#### Surge Protector

P10431 SPD-R-20KV-277  
(Round Type 20KV 120-277V)



#### Surge Protector

P10432 SPD-R-20KV-480  
(Round Type 20KV 347-480V)

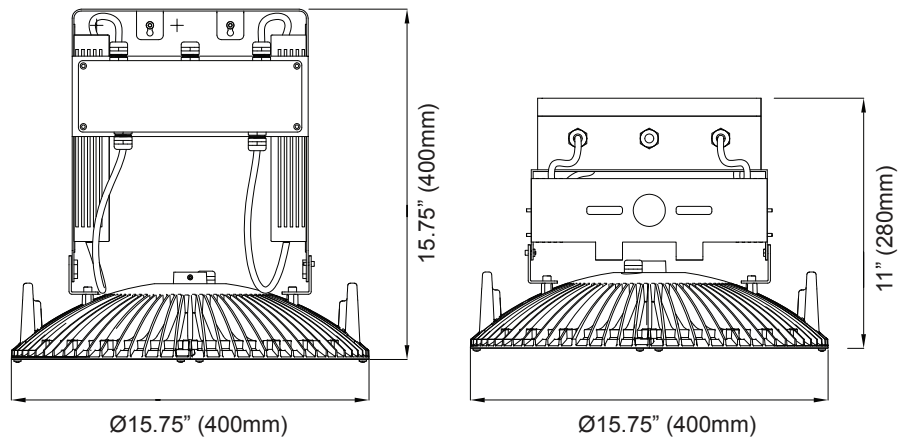
# INDUSTRIAL HIGH BAY

## INDUSTRIAL LUMINAIRES

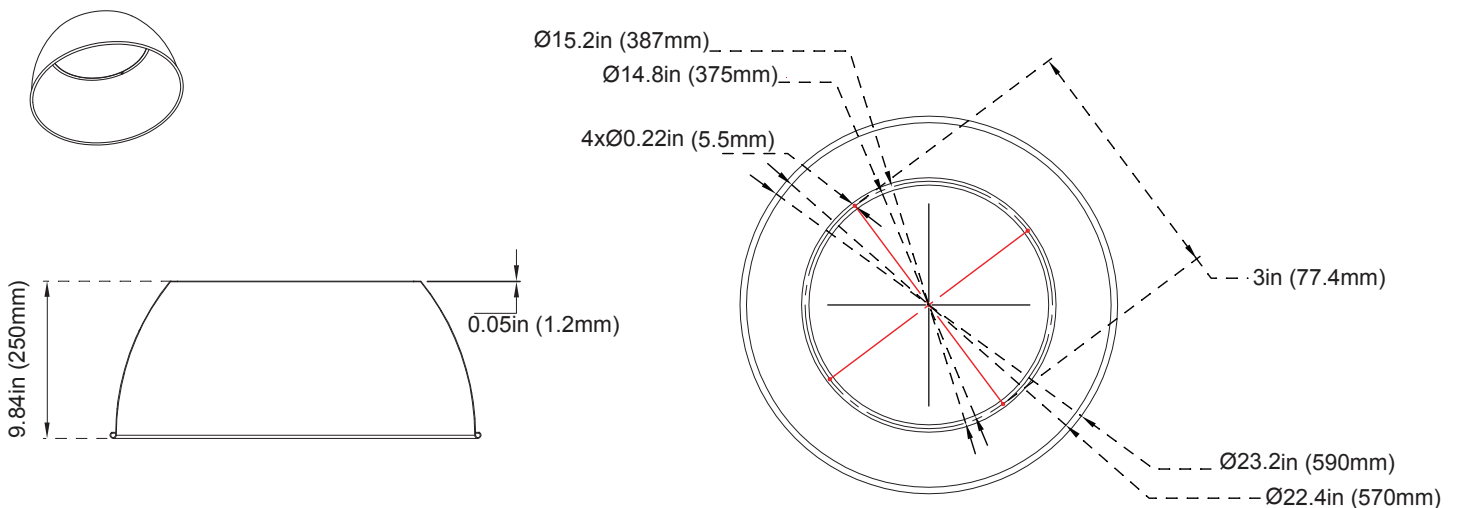
### DIMENSIONS

#### 16-inch

Wattage	Fixture weight with driver (lbs)	Fixture weight when driver remotely mounted (lbs)
100W	19.95	10.80
200W	20.95	11.80
340W	24.25	12.38



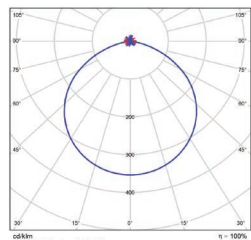
### REFLECTOR DIMENSIONS



### PHOTOMETRICS CHART

### PACKAGE

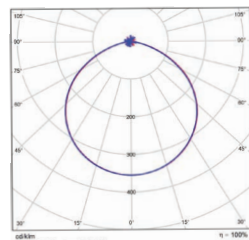
#### 200 Watt Medium Beam -110°



Center Beam Fc	Beam Width
182 fc	25.8 ft
44.9 fc	51.9 ft
20.0 fc	77.7 ft
11.3 fc	103.5 ft
7.21 fc	129.6 ft
5.01 fc	155.4 ft

Vert. Spread: 114.3°  
Horiz. Spread: 114.4°

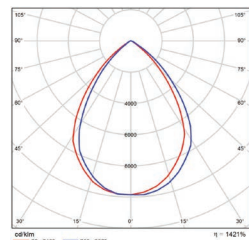
#### 340 Watt Medium Beam -110°



Center Beam Fc	Beam Width
290 fc	25.6 ft
71.5 fc	51.4 ft
31.9 fc	77.0 ft
18.0 fc	102.6 ft
11.5 fc	128.5 ft
7.98 fc	154.1 ft

Vert. Spread: 114.0°  
Horiz. Spread: 114.0°

#### 340 Watt with Reflector Narrow Beam - 80°



Center Beam Fc	Beam Width
452 fc	13.1 ft
112 fc	26.4 ft
49.9 fc	39.5 ft
28.1 fc	52.6 ft
17.9 fc	65.9 ft
12.5 fc	79.0 ft

Vert. Spread: 76.6°  
Horiz. Spread: 76.5°

Case Qty  
1 pc

