

**CAUTION:** THIS PRODUCT MUST BE INSTALLED IN ACCORDANCE WITH THE APPLICABLE INSTALLATION CODE BY A PERSON FAMILIAR WITH THE CONSTRUCTION AND OPERATION OF THE PRODUCT AND THE HAZARDS INVOLVED. **SAVE THESE INSTRUCTIONS!**

**WARNING:** Before beginning installation, disconnect electrical power at main switch or circuit breaker.

### IMPORTANT SAFEGUARDS

Ensure that the electrical wiring conforms to the National Electrical Code NEC® and local regulations if applicable. Installation and servicing of this equipment should be performed by qualified service personnel only. Do not mount near gas or electric heaters. Equipment should be mounted in locations and at heights where it will not readily be subjected to tampering by unauthorized personnel. The use of accessory equipment not recommended by the manufacturer may cause an unsafe condition. Any modification or use of non-original components will void the warranty and product liability. Do not use this equipment for other than intended use.

### Ceiling Cut Openings

2X4: 22.25" X 46.25"  
2X2: 22.25 X 22.25"  
1X4: 10.25 X 46.25

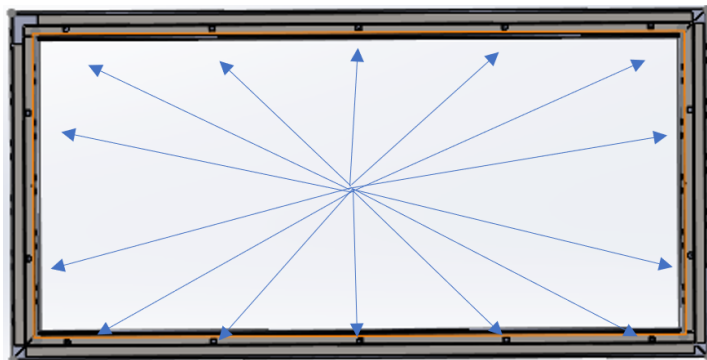
THE CLP IS DESIGNED FOR TOP ACCESS AND SHOULD BE INSTALLED IN 4" METAL PANEL CEILINGS.

### Installation

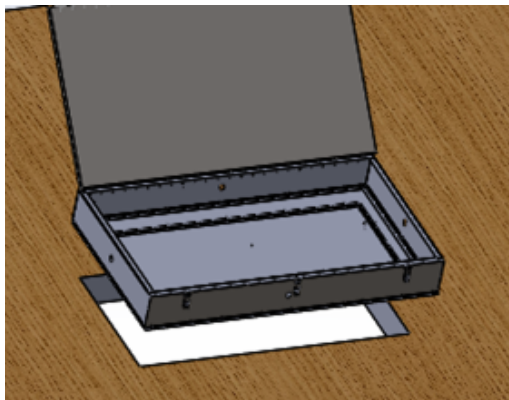
1. Make appropriate size cut out in the ceiling.
2. Open fixture cover by releasing latches.



3. Remove the 10-24x1 screws from the top of the lower unit assembly. These are secured into cage nuts. Store for later use.

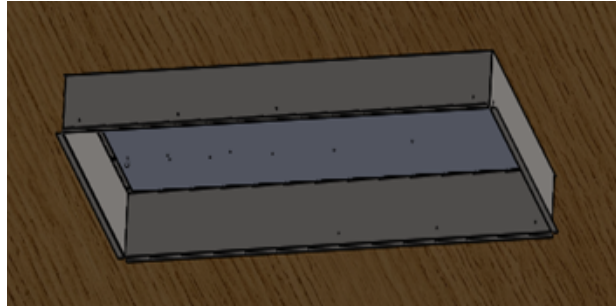


4. Center the upper unit over cut out in floor. Take care to not damage the LED modules on the bottom of the reflector.

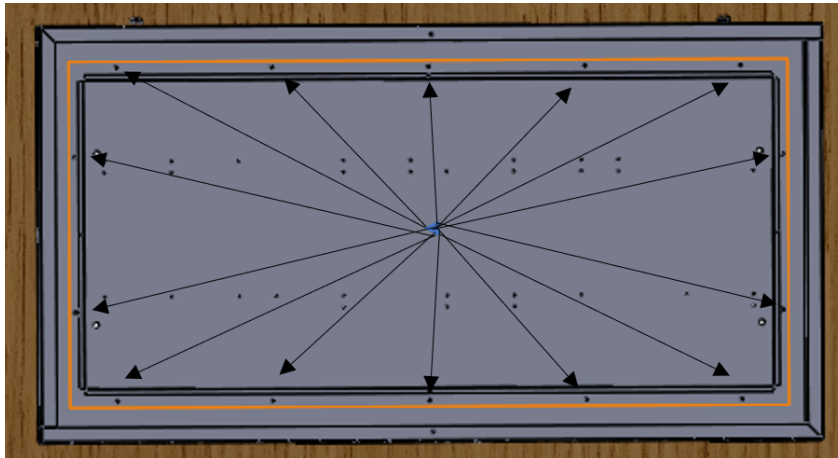


Installation (cont.)

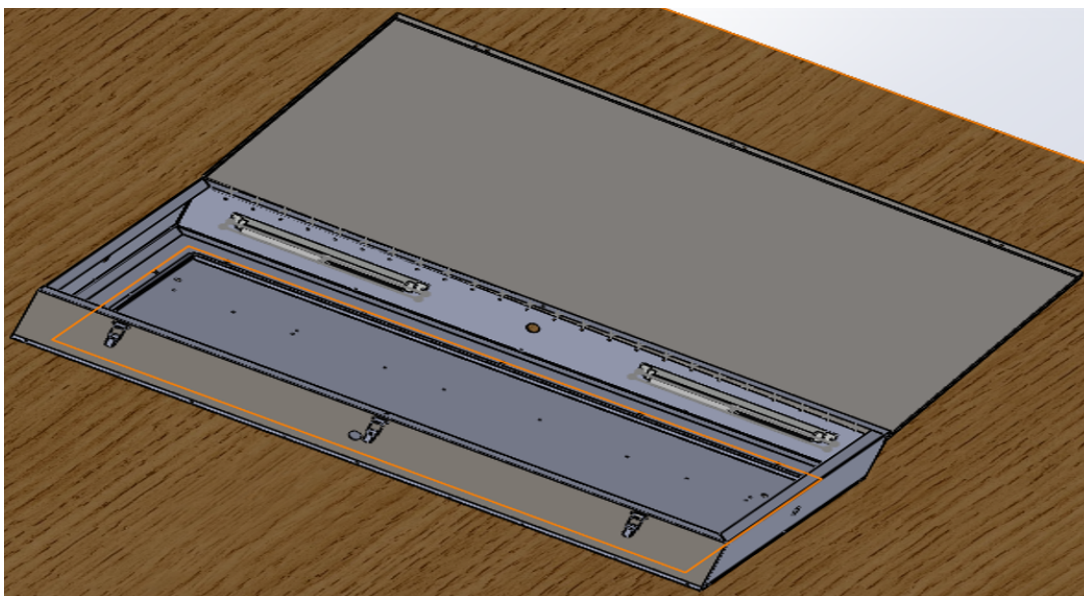
5. Raise the lower unit from room side into the cut out.



6. From the top assembly, replace the 10-24x1 screws into the upper assembly joiner plate. These will mate with the cage nuts in which the screws were removed during step 3. This will secure the upper and lower units together.



7. Two drivers are installed in the upper unit on the door hinge side. Each driver is provided with a quick connect for line voltage 120-277v. The fixture is pre-wired. Connect line voltage into the provided disconnects.



8. Close the top door once complete and re-attach the top latches.