



CATALOG #:

PROJECT:

TYPE:

CLM WALL MOUNT LED CLEAN ROOM



The **CLM** LED is suitable for use in clean room environment. The CLM utilizes one piece clamshell housing as well as security lensing and stainless steel fasteners. The CLM is ideal for clean room environments technical and biomedical labs, food processing/testing centers and pharmaceutical labs. Available with downlight and uplight, or downlight/uplight only. Uniform design allows fixture with only downlight or only uplight option to be mounted to accommodate both.

FASTENERS: Stainless steel tamper-resistant T25 TORX with center pin screws standard. Allenhead screws with center reject pin optional.

ELECTRICAL SYSTEM: Electronic driver 120-277V, standard 0-10V 1% dimming.

OPTICAL SYSTEM: Various choices of inner and outer lenses. If additional lens options are required, consult factory.

LISTINGS: Wet location optional. Made in the USA, BAA compliant.

FINISH: High gloss, electrostatically applied, white powder coat finish, average minimum reflectance 92%. Anti-microbial paint optional.

HOUSING: Various housing material options, consult factory if additional options not listed are needed. 14 Gauge backplate standard.

NEW: 304 and 316 stainless steel are both available (consult factory for details). Clamshell design with continuous welded and ground ends to form a one-piece, seamless, doorless housing which maximizes impact resistance and prevents contraband concealment, as well as unauthorized fixture penetration. Anti-ligature design. Stainless-steel aircraft cables attach housing to back plate.

LED: 80 CRI or 90 CRI LEDs available in 2700K, 3000K, 3500K, 4000K and 5000K. Life is >100,000 hours at 70% lumen maintenance.

BACKPLATE: Die-formed 14 ga. steel backplate forms an irretrievable blade trap to prevent contraband concealment.

WARRANTY: 5-Year Limited Warranty. Complete warranty and terms located at www.aelnow.com/warranty

Ordering Information on Next Page ►

CATALOG #:

PROJECT:

TYPE:



NOTE: 304 and 316 Stainless steel are both available. Specify below:

Ordering Example: CLM-22-30-8L-30-13L-125C-B16-M-EDN-90

SERIES	CCT UP	AMBIENT LEVEL UP	CCT DOWN	AMBIENT LEVEL DOWN	HOUSING
CLM2 2'	BLANK NONE	4.5L 4500 Lumens	30 3000K	4.5L 4500 Lumens	B20 20 Gauge Cold Roll Steel
CLM3 3'	30 3000K	8L 8000 Lumens	35 3500K	8L 8000 Lumens	B18 18 Gauge Cold Roll Steel
CLM4 4'	35 3500K	11L 11,000 Lumens	40 4000K	11L 11,000 Lumens	SH18 18 Gauge Stainless Steel (Polished 304)
	40 4000K	12L 12,000 Lumens	50 5000K	12L 12,000 Lumens	SH186 18 Gauge Stainless Steel (Polished 316)
	50 5000K	13L 13,000 Lumens		13L 13,000 Lumens	SHP18 18 Gauge Stainless Steel (Painted 304)
		16L 16,000 Lumens		16L 16,000 Lumens	SHP186 18 Gauge Stainless Steel (Painted 316)
					SHB18 18 Gauge Stainless Steel (Brushed 304)
					SHB186 18 Gauge Stainless Steel (Brushed 316)
					ALH .063" Aluminum (Painted)

LENS	VOLTAGE	DRIVER OPTIONS	OPTIONS
125C .125 Prismatic Acrylic	M Multi-Volt (120-277V)	BLANK 0-10V Dimming Driver (included standard)	14EBL 14 Watt Emergency Ballast
CP25 .125 Prismatic Polycarbonate		CD5 0-10V 5% to Off Dimming Driver	AM Anti-microbial Matte White Paint
CP56 .156 Prismatic Polycarbonate		EDN Electronic Driver Non-Dimming	B Brushed
CP87 .187 Prismatic Polycarbonate		DALI 1% Dimming Driver	TP Tamper Proof Fasteners
TG .156 Prismatic Tempered Glass		LDE1 Lutron Hi-lume 1% EcoSystem LED driver with Soft-on, Fade-to-Black dimming technology	LN LED Night Light
			FZ Fuse Holder
			90 90 CRI
			VDO Lutron Vive integral fixture controller (RF with daylight and occupancy sensing)

ENERGY AND PERFORMANCE DATA

INPUT VOLTAGE:	120/277VAC
SYSTEM INPUT POWER:	31.25 - 111.1 WATTS*
DELIVERED LUMEN OUTPUT:	2000 - 10000 LUMENS
STANDARD DIMMING CONTROL:	0-10V
CCT:	3000, 3500, 4000, 5000 KELVIN
CRI:	82 (MINIMUM)
LIFE TIME RATING:	>100,000 HRS @ L70
INPUT FREQUENCY:	50/60 HZ
POWER FACTOR:	>0.9
OPERATING TEMP:	-30° TO 50° C

APPROXIMATE COLOR TEMPERATURE MULTIPLIER		
5000K	X	1.03
4000K	X	1
3500K	X	.97
3000K	X	.94
2700K	X	.91

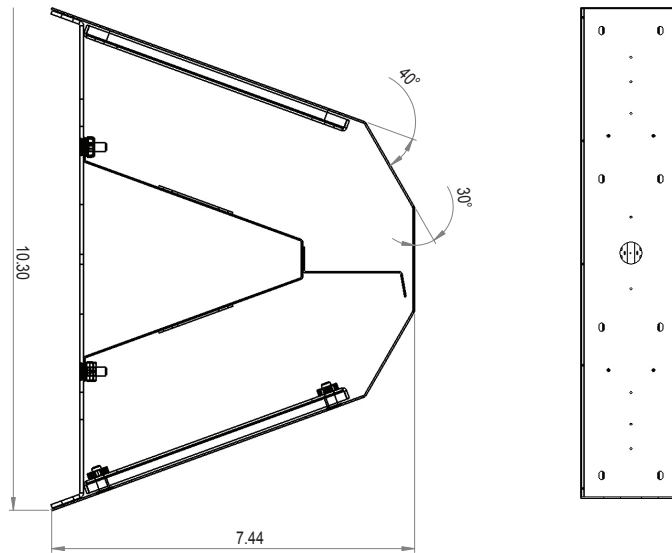
PART#	DELIVERED LUMENS	WATTS	L70 @20C (HRS)
4.5L	4500 LUMENS	31.25	>100K
8L	8000 LUMENS	55.5	>100K
11L	11,000 LUMENS	76.4	>100K
12L	12,000 LUMENS	83.3	>100K
13L	13,000 LUMENS	90.8	>100K
16L	16,000 LUMENS	111.1	>100K

*ACTUAL WATTAGE MAY DIFFER BY ±5% WHILE OPERATING 120/277V ±10%

CATALOG #:

PROJECT:

TYPE:



MOUNTING DIMENSIONS

