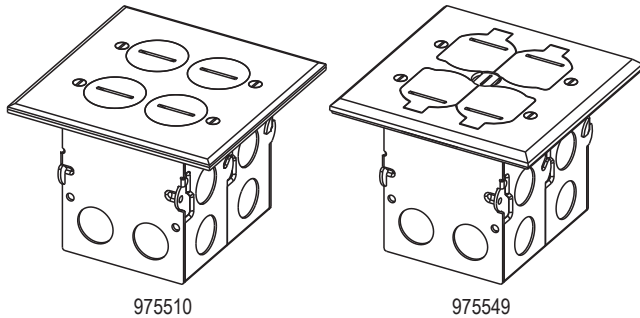




## INSTALLATION INSTRUCTION

### Two Gang Floor Box Assembly with 20A Duplex Tamper & Weather Resistant Receptacle Model Number: 975510-C, 975510-SS 975549-C, 975549-S



### SPECIFICATION

Cover Material	
975510	Brass(C) or Stainless Steel(SS)
975549	Brass(C) or Nickel-Plated Brass(S)
Receptacle Rating	20A 125VAC
Box:	
Box Material	Pre-galvanized Steel
Knockout Size	1/2"

### FEATURE

- Compact and stylish design.
- Corrosion resistant hardware ensure long life span and reliable performance.
- Easy access to power when you need it.
- Used for carpet and wood floors.

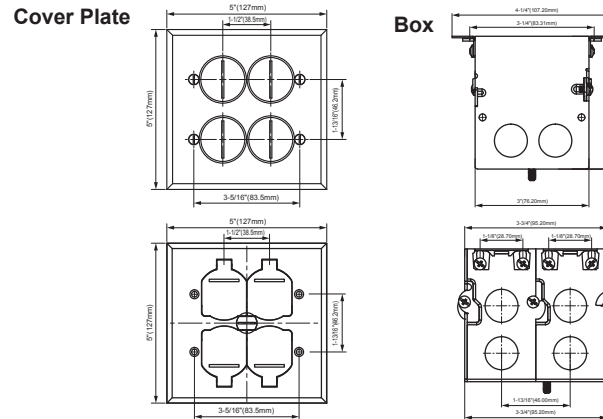
### DESCRIPTION

Two gang floor box assembly, including two 20 amp duplex tamper & weather resistant receptacles, FB -07 box, gasket and cover.

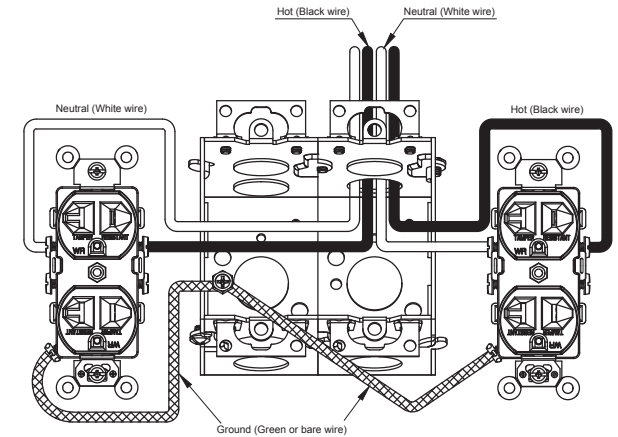
### CAUTION-RISK OF ELECTRIC SHOCK

1. Turn off circuit breaker prior to installing the floor box.
2. Use Copper Wires only.
3. Do not exceed electrical rating of receptacle.
4. All wiring must be in accordance with all applicable National (NEC/CEC), state, and local codes.
5. 12-10 AWG stranded or solid copper wire is preferred.
6. Contact professional electrician for further installation questions.

### SIZES AND DIMENSIONS



### WIRING DIAGRAM



### WARRANTY

If this product fails within 2 years from the date of purchase due to a defect in material or workmanship, we will repair or exchange it, free of charge. There are no obligations or liabilities on the part of our company for consequential damage arising out of or in connection with the use or performance of this product or other indirect damages with respect to loss of property, revenue, or product, or cost of removal installation or reinstallation.

### INSTALLATION OF THE KIT

#### Before Installation:

Ensure there is sufficient depth & space below the sub floor.

#### Step 1

Before installation, ensure that there is sufficient depth and space below the sub-floor.

For carpeted floors:

Cut out the amount of carpet based on the size of the cover.

Follow the rest of the instructions below.

For wood and wood sub-floors:

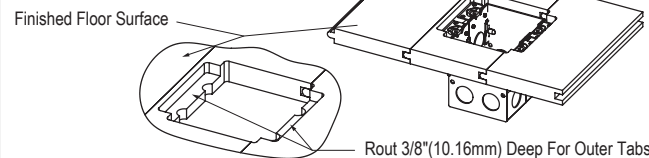
Tape the template on the area you want to place the floor box.

Use a knife to cut the outline of the box. Start with the ears and move inwards.

Cut the box shape without the ears completely through the sub-floor.

Cut 3/8" depth into the sub-floor for the mounting ears.

Using a router is suggested.



#### Step 2

Remove knockouts and secure the box onto the floor.

Pull the wire through the opening of the floors and knockouts and connect wires based on the wiring diagram.

#### CAUTION:

- Connect wires only when no power is supplied.
- Attach the box to the floor using #6 wood screws (not provided).
- Attach the cover to the box using #6-32 mounting screws and tighten firmly.

