

**Residential Grade
Lighted Toggle Switch/
Single Pole**
Model No.: 88115L-C



Description:

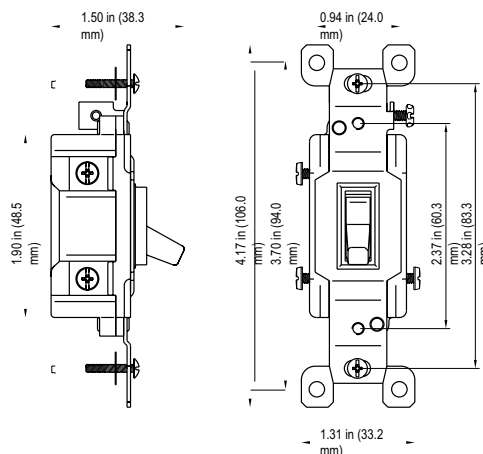
The 88115L-C switch make installation quick and simple with its versatile design. This switch features side mount wiring as well as push-in wiring on the rear (for use with copper wiring). The impact resistant thermoplastic body is built strong to endure years of use as well as being resistant to a wide temperature range.

Features:

- Quick and Easy Installation
- Side and Rear Wiring
- Grounding Screw Attached
- Durable Impact-Resistant Thermoplastic Switch and Frame
- 2 Year Warranty

Specifications:

Type	Single Pole
Color Availability.....	Clear
Ground.....	Grounding Screw Attached
Amperage.....	15Amp
Voltage.....	120/277VAC
Termination.....	Rear Push In and Side
Actuator Material	Thermoplastic
Standards and Certifications.....	UL Listed



Testing and Code Compliances



Enerlites, Inc.