

Isolated Ground Duplex Receptacle 20A/125V, 5-20R



Model No.: 62010

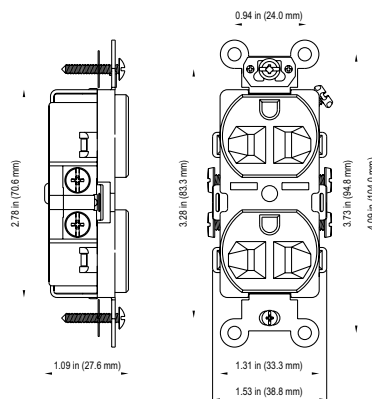
Description: Enerlites' Isolated Ground Receptacles contain two side barriers that cover the wire terminals for insulation and isolation function. Each duplex is equipped with break-off plaster ears and tabs to allow for easy alignment and 2-circuit conversion. All duplex receptacles are designed with thermoplastic construction and feature a shallow build for maximum wiring room

Features:

- 20 amp/125-Volt
- Flammability UL94, V2 Rating.
- With ears; straight blade; Back and side wired; steel strap
- NEMA 5-20R, 2P and 3W
- Shallow design for maximum wiring room

Specifications:

Type	Two Pole
Color Availability.....	Ivory, White, and Orange
Grounding.....	Isolated Grounding
Amperage.....	20Amp
Voltage.....	125V
Termination.....	Rear and Side Wired
Actuator Material	Thermoplastic
Standards and Certifications.....	UL Listed



Testing & Code Compliance



Enerlites, Inc.