

Model: 62001-TR2USB-S

4.0A USB Dual Type A Wall Outlet Charger with 20A Tamper-Resistant Receptacle



USB CHARGER RECEPTACLES

Description

The ENERLITES 62001-TR2USB-S is a dual ports 4.0 Amp USB Type-A charger combined with two 20 Amp tamper-resistant receptacles. Our high speed USB Type-A ports include IntelliChip technology to deliver the most advanced charging technology and optimize current to reduce charging time to devices. The USB charger receptacle allows the user to charge up to two USB devices simultaneously without the use of bulky adapters while continuing to power traditional appliances such as a lamp or television with the same receptacle

Features

- Smart chip technology recognizes and optimizes the charging requirements of individual devices including Apple, Samsung, Nexus, Pixel and more
- Dual Type A Ports combined total of 4.0A of charging power
- Tamper-Resistant improves child safety – built-in shutter prevents access by most non-rated/foreign objects
- USB Ports tested to withstand over 10,000 insertions
- Charges most Type A powered devices
- Compatible with USB 3.1, 3.0, 2.0, 1.1 devices

Charging Models

- Galaxy S8 and later, iPad / iPad mini / AirPods / Apple Watch, iPhone 12 / 12 mini / 12 Pro / 12 Pro Max / iPhone SE (2nd generation) / 11 / 11 Pro / 11 Pro Max / XS / XS Max / XR / X / 8 Plus / 8
- Type C provides faster charging and is emerging as the standard port on many phones, and tablets, such as iPhone 12/11/XS/MAX/XR/X/8/7, iPads, Samsung Galaxy S10/S9/S8/S7/S6, Samsung Tabs, Google Pixel and More

Testing & Code Compliance



Specifications

Receptacle Rating	20A, 125VAC
Type A1 USB Port	5V-2.4A
Type A2 USB Port	5V-2.4A
Wire Terminals	#14-#12 AWG
Operating Temperature	-4 to 140°F (-20 to 60°C)
Supported	USB 3.1, 3.0, 2.0, 1.1
Dimensions	2.71"X1.71"X1.79"
Warranty	2 Years

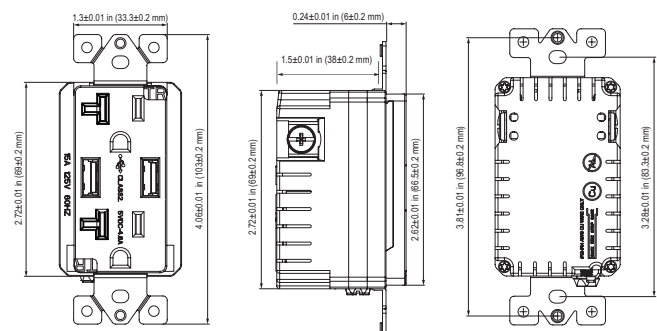
Application

- Cafes
- Airport Lounges
- Laboratories
- Kitchens
- Meeting Rooms
- Bedrooms
- Offices
- Restaurants
- Hotels
- Cafeterias

Color Swatches



Dimensional Drawing



Specification Submittal

Job Name:

Job Number:

Models: