

**Isolated Ground
Duplex Receptacle
15A/250V, 6-15R**



Model No.: 61610

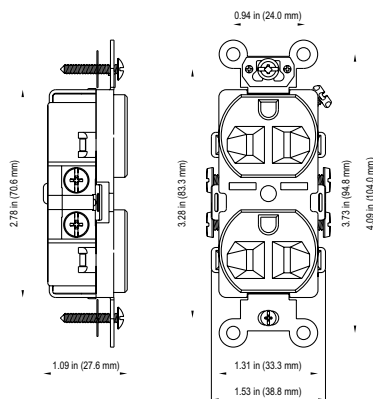
Description: Enerlites' Isolated Ground Receptacles contain two side barriers that cover the wire terminals for insulation and isolation function. Each duplex is equipped with break-off plaster ears and tabs to allow for easy alignment and 2-circuit conversion. All duplex receptacles are designed with thermoplastic construction and feature a shallow build for maximum wiring room

Features:

- 15 amp/250-Volt
- Flammability UL94, V2 Rating.
- With ears; straight blade; Back and side wired; steel strap
- NEMA 6-15R, 2P and 3W
- Shallow design for maximum wiring room

Specifications:

Type Two Pole
 Color Availability.....Orange
 Grounding.....Isolated Grounding
 Amperage.....15Amp
 Voltage.....250V
 Termination.....Rear and Side Wired
 Actuator Material Thermoplastic
 Standards and Certifications..... UL Listed



Testing & Code Compliance



Enerlites, Inc.