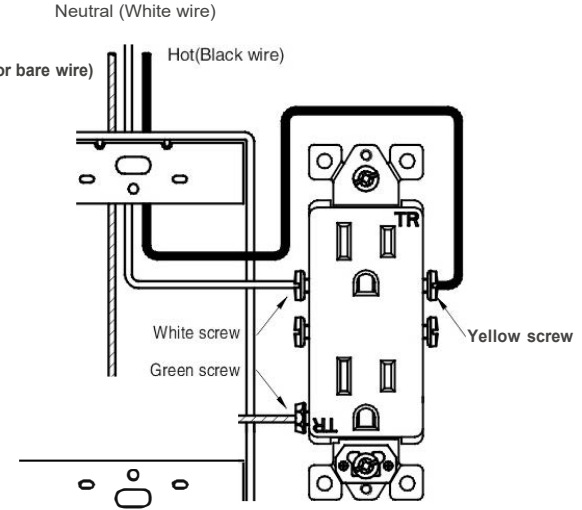
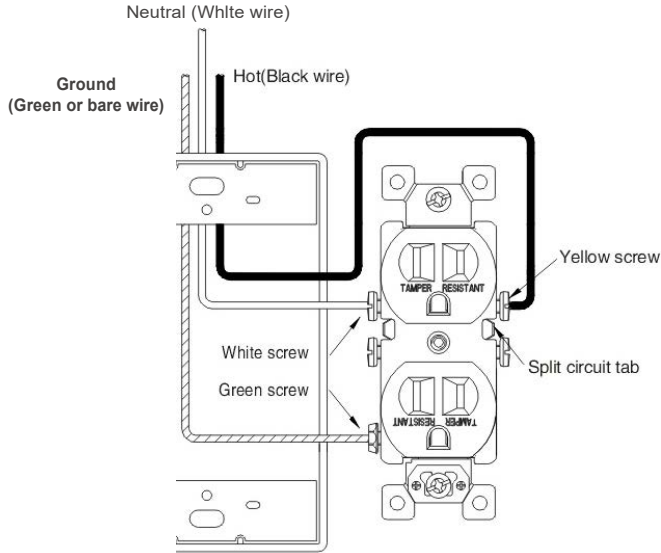


Duplex Tamper Resistant Receptacle Diagram



NOTICE: For installation by a qualified person in accordance with national and local electrical codes.

WARNING: Risk of Electric Shock or Death. Disconnect power before installing.

USE COPPER WIRES ONLY; 14AWG to 12AWG.

Installation Instructions

- Strip wires: Remove 5/8 inch of the outer insulation from wires.
 - Use strip gauge on the back of the device
- Side Wire: bend the stripped part of the wire into a hook and hook it on to the terminal screw.
- Firmly tighten the terminal screw. Do not overtighten.
- 2nd installation method: Use solid #14 AWG for 15A branch circuit ONLY. Remove 5/8 inch of the outer insulation from wires, then insert the stripped wire into the terminal holes on the back.