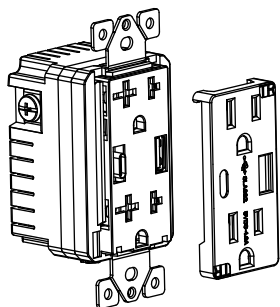


61501-TR2USB3-1A1C Dual USB Charger with 15A Tamper Resistant Receptacle



SPECIFICATIONS

Receptacle Rating.....	15 Amp, 125VAC
Single Port USB Rating.....	Type A USB Port 5V/2.4A Type C USB Port 5V/3A
Dual USB Ports Combined	Type A/C USB Port 5V/3.6A
Wire Terminals.....	#14-#12 AWG
Operating Temperature.....	-4 to 140°F (-20 to 60°C)
USB Compatibility.....	USB 1.1/2.0/3.0 devices, including Apple products
Receptacle dimension	3-3/4"×2-1/4"×3-3/16"

DESCRIPTION

The 61501-TR2USB3-1A1C is a duplex Tamper-Resistant Receptacle with two USB charging ports. Two individual high powered vertical USB Ports, one Type A deliver 2.4A or one Type-C deliver 3.0A. A combined total of 3.6A can charge any current USB compatible device simultaneously including smart phones, tablets, e-readers, cameras and MP3 players. It is also capable of charging new devices that require higher current ratings.

FEATURES

- Two USB ports with a total high-current power of 3.6 Amp, 5VDC.
- Separately, Type A USB output 2.4A or Type C output 3.0A
- Charges most USB compatible electrical devices directly without an adapter.
- 2011 NEC Code compliant Tamper-Resistant Shutters.
- Replaces a standard duplex receptacle.
- Back wire terminals are for quick and easy installation.

WARNING

Turn the POWER OFF at the circuit breaker before installing the receptacle.

Read and understand these instructions before installing. This device is intended for installation in accordance with the National Electric Code and local regulations. It is recommended that a qualified electrician performs this installation. Make sure to turn off the circuit breaker or fuse(s) and make sure power is off before wiring the device.

Use copper wire only.

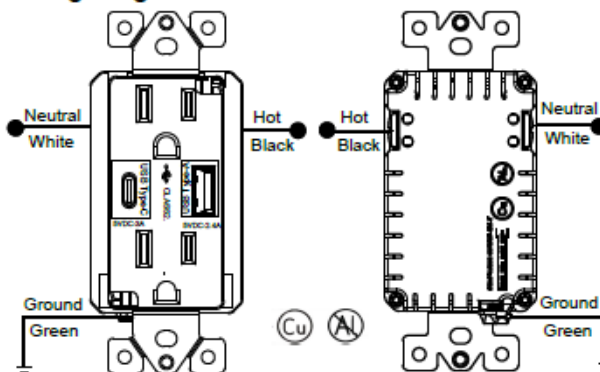
This USB receptacle CANNOT be used if the outlet you are replacing has the top and bottom outlets controlled by separate circuit breakers.

WIRING DIRECTIONS

There are two ways to wire the receptacle:

1. Loop wire around terminal screws and firmly tighten terminal screw.
2. Insert wire(s) through terminal holes in the back, then tighten terminal screws. Use this method when attaching 2 wires to same terminal.
 - Connect HOT wire to the HOT terminal (brass screw).
 - Connect NEUTRAL wire to the NEUTRAL terminal (silver screw).
 - Connect GREEN or BARE wire to the GROUND terminal (green screw).

Wiring Diagram

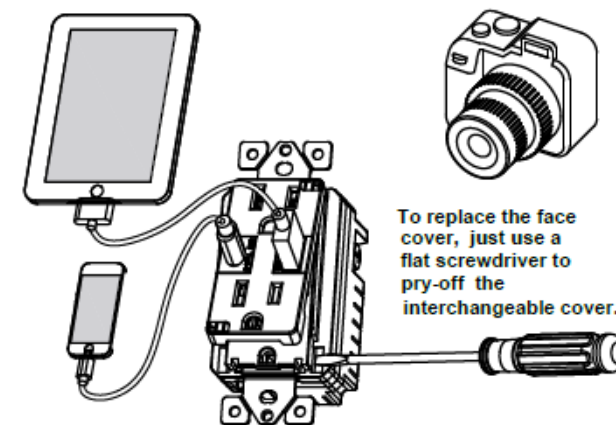


Type C USB charger delivers the maximum power available to reduce the time you are plugged in. **Safe charging:** Protects from over-current, over-charging, and short circuit. USB type C charger requires Type C certified cables and compatible devices for optimum charging time. Depending on your device and the use of cables other than USB Type C cables may result in different charging times.

COMPATIBILITY

This High Speed Dual USB Charger/Tamper-Resistant Receptacle is compatible with a wide range of electronic devices including, but not limited to, the following:

- iPad®Pro
- iPad®Air
- iPad® Mini
- iPod®
- iPhone® 6/ 6 Plus
- Tablets
- Mobile Phones
- Bluetooth™ Headsets
- Digital Cameras
- HTC One X9™
- HTC One S9™
- Nexus 6P
- Lenovo ZUK Z1
- Samsung Galaxy S4™
- Samsung Galaxy Note 3™
- Samsung Galaxy J7™
- Nook e-reader
- GPS Devices
- Other Smart Phones and USB Compatible products



WARRANTY INFORMATION

This device is warranted to be free of material and workmanship defects for 2 years from the date of purchase. Original receipt or proof of purchase from an authorized retailer must be presented upon warranty claim. ALL claims must be verified and approved by Enerlites, Inc. Warranties from other Enerlites products may vary. This warranty is nontransferable and does not cover normal wear and tear or any malfunction, failure, or defect resulting from misuse, abuse, neglect, alteration, modification, or improper installation. To the fullest extent permitted by the applicable state law, Enerlites shall not be liable to the purchaser or end user customer of Enerlites products for direct, indirect, incidental, or consequential damages even if Enerlites has been advised of the possibility of such damages. Enerlites' total liability under this or any other warranty, express or implied, is limited to repair, replacement or refund. Repair, replacement or refund are the sole and exclusive remedies for breach of warranty or any other legal theory.