



Technology At Work

Owner's Manual

For professional use only

Do not use this equipment before reading this manual!

550XC Airless Sprayer



Model Numbers:

120V Skid, Bare	765-2000
120V Skid, Complete	765-2001
120V Low Rider, Bare	765-2002
120V Low Rider, Complete	765-2003
120V High Rider, Bare	765-2004
120V High Rider, Complete	765-2005

NOTE: This manual contains important warnings and instructions. Please read and retain for reference.

Table of Contents

Safety Precautions	2
Français	12
Español	14
General Description	4
Operation	4
Pre-Start	4
Purging and Priming	4
Operating the Spray Gun	5
Pressure Relief Procedure	5
Spraying	6
Spraying Technique	6
Practice	6
Cleanup	7
Flushing the Unit	7
Maintenance	7
General Repair and Service Notes	7
Daily Maintenance	7
Spray Gun Maintenance	8
Accessories	8
Troubleshooting	10
Airless Pump	10
Airless Gun	10
Spray Patterns	11
Parts Lists and Service Instructions	16
Main Assembly	16
Motor Assembly	17
Gear Box Assembly	18
Fluid Section Assembly	20
Siphon Assembly	21
Filter Block Assembly	22
Low Rider Frame Assembly	23
High Rider Frame Assembly	23
Skid Assembly	23
Warranty	24

Safety Precautions

This manual contains information that must be read and understood before using the equipment. When you come to an area that has one of the following symbols, pay particular attention and make certain to heed the safeguard.



This symbol indicates a potential hazard that may cause serious injury or loss of life. Important safety information will follow.



This symbol indicates a potential hazard to you or to the equipment. Important information that tells how to prevent damage to the equipment or how to avoid causes of minor injuries will follow.

NOTE: Notes give important information which should be given special attention.



HAZARD: Injection injury - A high pressure stream produced by this equipment can pierce the skin and underlying tissues, leading to serious injury and possible amputation. See a physician immediately.

DO NOT TREAT AN INJECTION INJURY AS A SIMPLE CUT! Injection can lead to amputation. See a physician immediately.

The maximum operating range of the pump is 3200 PSI/221BAR fluid pressure.

PREVENTION:

- NEVER aim the gun at any part of the body.
- NEVER allow any part of the body to touch the fluid stream. DO NOT allow body to touch a leak in the fluid hose.
- NEVER put your hand in front of the gun. Gloves will not provide protection against an injection injury.
- ALWAYS lock the gun trigger, shut the pump off, and release all pressure before servicing, cleaning the tip or guard, changing tip, or leaving unattended. Pressure will not be released by turning off the motor. The PRIME/SPRAY valve must be turned to PRIME to relieve the pressure. Refer to the PRESSURE RELIEF PRESSURE described in the pump manual.
- ALWAYS keep the tip guard in place while spraying. The tip guard provides some protection but is mainly a warning device.
- ALWAYS remove the spray tip before flushing or cleaning the system.
- The paint hose can develop leaks from wear, kinking and abuse. A leak can inject material into the skin. Inspect the hose before each use.
- NEVER use a spray gun without a trigger lock and trigger guard in place and in good working order.
- All accessories must be rated at or above 3200 PSI/221 BAR. This includes spray tips, guns, extensions, and hose.

NOTE TO PHYSICIAN:

Injection into the skin is a traumatic injury. It is important to treat the injury as soon as possible. DO NOT delay treatment to research toxicity. Toxicity is a concern with some coatings injected directly into the blood stream. Consultation with a plastic surgeon or reconstructive hand surgeon may be advisable.

HAZARD: EXPLOSION OR FIRE - Solvent and paint fumes can explode or ignite. Severe injury and/or property damage can occur.

PREVENTION:

- Provide extensive exhaust and fresh air introduction to keep the air within the spray area free from accumulation of flammable vapors.
- Avoid all ignition sources such as static electric sparks, open flames, pilot lights, and hot objects. Connecting or disconnecting power cords or working light switches can make sparks.
- Do not smoke in spray area.
- Fire extinguisher must be present and in good working order.
- Place paint pump at a minimum of 3 feet (preferably more) into a separate, well ventilated room from the spray object or at least 20 feet from the spray object in a well ventilated area (add more hose if necessary). Flammable vapors are often heavier than air. Floor area must be extremely well ventilated. The paint pump contains arcing parts that emit spark and can ignite vapors.
- The equipment and objects in and around the spray area must be properly grounded to prevent static sparks.
- Use only conductive or grounded high pressure fluid hose. Gun must be grounded through hose connections.
- Power cord must be connected to a grounded circuit.
- Always flush unit into a separate metal container, at low pump pressure, with spray tip removed. Hold gun firmly against side of container to ground container and prevent static sparks.
- Follow the material and solvent manufacturer's warnings and instructions.
- Use extreme caution when using materials with a flashpoint below 70° F (21° C). Flashpoint is the temperature that a fluid can produce enough vapors to ignite.

- Plastic can cause static sparks. Never hang plastic to enclose a spray area. Do not use plastic drop cloths when spraying flammable materials.
- Use lowest possible pressure to flush equipment.

GAS ENGINE (WHERE APPLICABLE)

Always place pump outside of structure in fresh air. Keep all solvents away from the engine exhaust. Never fill fuel tank with a running or hot engine. Hot surface can ignite spilled fuel. Always attach ground wire from pump unit to a grounded object, such as a metal water pipe. Refer to engine owner's manual for complete safety information.

HAZARD: EXPLOSION HAZARD DUE TO INCOMPATIBLE MATERIALS - Will cause severe injury or property damage.

PREVENTION:

- Do not use materials containing bleach or chlorine.
- Do not use halogenated hydrocarbon solvents such as mildewcide, methylene chloride and 1,1,1 - trichloroethane. They are not compatible with aluminum.
- Contact your coating supplier about the compatibility of material with aluminum.

HAZARD: HAZARDOUS VAPORS - Paints, solvents, insecticides, and other materials can be harmful if inhaled or come in contact with the body. Vapors can cause severe nausea, fainting, or poisoning.

PREVENTION:

- Use a respirator or mask if vapors can be inhaled. Read all instructions supplied with the mask to be sure it will provide the necessary protection.
- Wear protective eyewear.
- Wear protective clothing as required by coating manufacturer.

HAZARD: GENERAL - This product can cause severe injury or property damage.

PREVENTION:

- Read all instructions and safety precautions before operating equipment.
- Always disconnect the motor from the power supply before working on the equipment.
- Follow all appropriate local, state, and national codes governing ventilation, fire prevention, and operation.
- The United States Government Safety Standards have been adopted under the Occupational Safety and Health Act (OSHA). These standards, particularly part 1910 of the General Standards and part 1926 of the Construction Standards, should be consulted.
- Use only manufacturer authorized parts. User assumes all risks and liabilities when using parts that do not meet the minimum specifications and safety devices of the pump manufacturer.
- Before each use, check all hoses for cuts, leaks, abrasion or bulging of cover. Check for damage or movement of couplings. Immediately replace the hose if any of these conditions exist. Never repair a paint hose. Replace it with another grounded high-pressure hose.
- All hoses, swivels, guns, and accessories must be pressure rated at or above 3200PSI/221 BAR.
- Do not spray outdoors on windy days.
- Wear clothing to keep paint off skin and hair.

Grounding Instructions

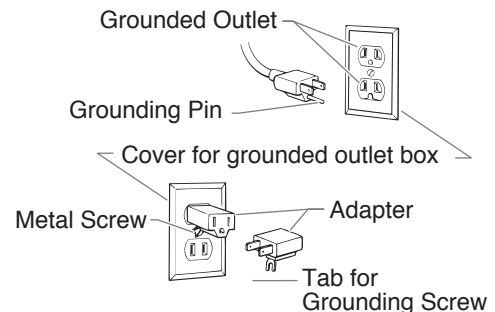
This product must be grounded. In the event of an electrical short circuit, grounding reduces the risk of electric shock by providing an escape wire for the electric current. This product is equipped with a cord having a grounding wire with an appropriate grounding plug. The plug must be plugged into an outlet that is properly installed and grounded in accordance with all local codes and ordinances.

DANGER — Improper installation of the grounding plug can result in a risk of electric shock. If repair or replacement of the cord or plug is necessary, do not connect the green grounding wire to either flat blade terminal. The wire with insulation having a green outer surface with or without yellow stripes is the grounding wire and must be connected to the grounding pin.

Check with a qualified electrician or serviceman if the grounding instructions are not completely understood, or if you are in doubt as to whether the product is properly grounded. Do not modify the plug provided. If the plug will not fit the outlet, have the proper outlet installed by a qualified electrician.

This product is for use on a nominal 120 volt circuit and has a grounding plug that looks like the plug illustrated below. A temporary adapter which looks like the adapter illustrated in the figure below may be used to connect this plug to a 2 pole receptacle as shown if a properly grounded outlet is not available.

The temporary adapter should be used only until a properly grounded outlet as shown below can be installed by a qualified electrician. The green colored rigid ear, lug, or the grounding wire extending from the adapter must be connected to a permanent ground such as a properly grounded outlet box cover. Whenever the adapter is used, it must be held in place by a metal screw.



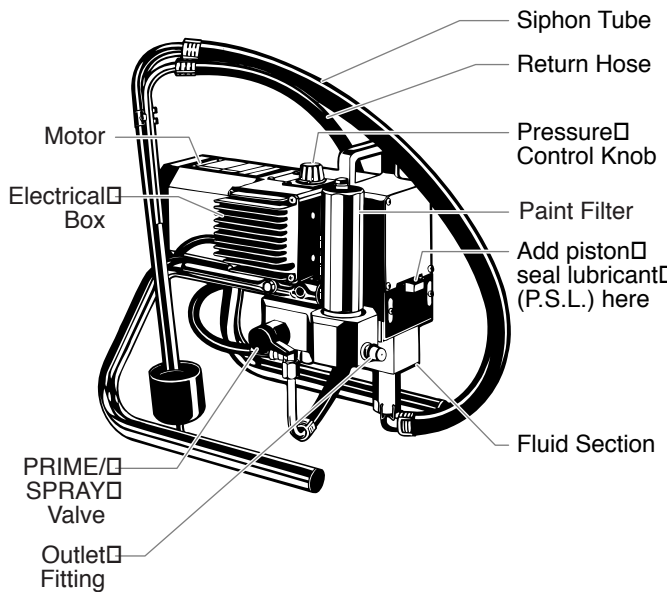
CAUTION

Use only a 3-wire extension cord that has a 3-blade grounding plug and a 3-slot receptacle that will accept the plug on the product. Make sure your extension cord is in good condition. When using an extension cord, be sure to use one heavy enough to carry the current your product will draw. An undersized cord will cause a drop in line voltage resulting in loss of power and overheating. A 12 gauge cord is recommended. If an extension cord is to be used outdoors, it must be marked with the suffix W-A after the cord type designation. For example, a designation of SJTW-A would indicate that the cord would be appropriate for outdoor use.

NOTE: Do not use more than 50 feet of extension cord. If you need to paint further than 100 feet from your power source, use more paint hose, not more extension cord.

General Description

This piston pump is a precision power tool used for spraying many types of materials. Read and follow this instruction manual carefully for proper operating instructions, maintenance, and safety information.



Operation

WARNING

This equipment produces a fluid stream at extremely high pressure. Read and understand the warnings in the Safety Precautions section at the front of this manual before operating this equipment.

Pre-Start

Perform the following procedure before plugging in the power cord of an electric unit.

1. Ensure that the suction set and the return hose are attached and secure.
2. Attach a minimum of 50' of airless spray hose to the unit.
3. Attach an airless spray gun to the spray hose. Do not attach the tip to the spray gun yet. Remove the tip if it is already attached.

WARNING

Make sure all airless hoses and spray guns are electrically grounded and rated for at least 3200 psi (220 bar) fluid pressure.

4. Turn the pressure control knob fully counterclockwise to its lowest pressure setting.
5. Make sure the ON/OFF switch is in its OFF position.
6. Fill the wet cup with one tablespoon of piston seal lubricant (P.S.L.).

CAUTION

Never operate unit for more than ten seconds without fluid. Operating this unit without fluid will cause unnecessary wear to the packings.

7. Make sure the electrical service is 120V, 15 amp minimum.
8. Plug the power cord into a properly grounded outlet.

Purging and Priming

WARNING

Always keep the trigger lock on the spray gun in the locked position while purging the system.

If this unit is new, it is shipped with test fluid in the fluid section to prevent corrosion during shipment and storage. This fluid must be thoroughly cleaned out of the system before you begin spraying.

If it is already in service, you will need to purge the water or solvent used in cleanup.

Purging and Priming the Pump for Latex Paint

1. Secure the return hose into a waste container.
2. Place the suction tube into a container of the appropriate solvent.
3. Turn the pressure control knob fully counterclockwise its lowest pressure setting.
4. Turn the PRIME/SPRAY valve down to the PRIME position.
5. Move the ON/OFF switch to the ON position.
6. Slowly turn the pressure control knob clockwise to increase the pressure until fluid starts to come out of the return hose. Use only enough pressure to keep the fluid coming out.
7. Turn the pressure control knob fully counterclockwise to its lowest setting when the test fluid is purged and solvent is coming out of the return hose.
8. Remove the container of solvent from the suction tube and replace it with a bucket of clear water.
9. Increase the pressure to the minimum necessary to keep fluid flowing until clear water is coming out of the return hose.
10. Turn the pressure control knob fully counterclockwise to its lowest setting.
11. Remove the bucket of water from under the suction tube and replace it with a container of latex paint.
12. Increase the pressure slowly until paint is coming through the return hose.
13. Remove the return hose from the waste container and place it in its operating position above the container of latex paint.
14. Keep circulating the paint through the system until the paint coming out of the return hose is free of air bubbles.
15. Turn the pressure control knob fully counterclockwise to its lowest setting.

The pump is now purged. Skip to **Purging and Priming the Spray Hose.**

Purging and Priming for Solvent-Based Paint

1. Secure the return hose into a waste container.
2. Place the suction tube into a container of the appropriate solvent.
3. Turn the pressure control knob fully counterclockwise to its lowest pressure setting.
4. Turn the PRIME/SPRAY valve down to the PRIME position.
5. Move the ON/OFF switch to the ON position.
6. Slowly turn the pressure control knob clockwise to increase the pressure until fluid starts to come out of the return hose. Use only enough pressure to keep the fluid coming out.
7. Turn the pressure control knob fully counterclockwise to its lowest setting when the test fluid is purged and solvent is coming out of the return hose.
8. Remove the container of solvent from under the suction tube and replace it with a container of solvent-based paint.
9. Increase the pressure slowly until paint is coming through the return hose.

10. Remove the return hose from the waste container and place it in its operating position above the container of solvent-based paint.
11. Keep circulating the paint through the system until the paint coming out of the return hose is free of air bubbles.
12. Turn the pressure control knob fully counterclockwise to its lowest setting.

The pump is now purged. Go to **Purging and Priming the Spray Hose**.

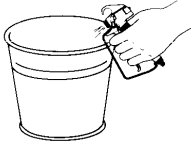
Purging and Priming the Spray Hose

After the pump is purged and primed, you must do the same for the spray hose.

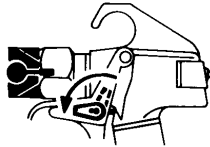
NOTE: Make sure that the spray gun does not have a tip installed.

⚠️ WARNING

If a metal container is used, ground the gun by holding it against the edge of the container while flushing. Failure to do so may lead to a static electric discharge which may cause a fire.



1. Turn the pressure control knob fully counterclockwise to its lowest pressure setting.
2. Turn the PRIME/SPRAY valve up to the SPRAY position.
3. Unlock the gun by turning the gun trigger lock to the unlocked position.
4. Turn the pressure control knob slowly clockwise to increase pressure.
5. Trigger the gun into a waste container until all air, water, or solvent is purged from the spray hose and paint is flowing freely.
6. Lock the gun by turning the gun trigger lock to the locked position.
7. Set down the gun and allow the unit to pressurize.
8. Check the entire system for leaks. If leaks occur, follow the **Pressure Relief Procedure** in this manual before tightening any fittings or hoses.



Trigger lock □ in locked position.

⚠️ WARNING

Be sure to follow the “Pressure Relief Procedure” outlined in this section when shutting the unit down for any purpose, including servicing or adjusting any part of the spray system, changing or cleaning spray tips, or preparing for cleanup.

9. Unlock the gun by turning the gun trigger lock to the unlocked position.
10. Turn the pressure control knob fully counterclockwise to its lowest pressure setting.
11. Turn the PRIME/SPRAY valve down to the PRIME position and trigger the gun into the waste container to be sure that no pressure is left in the hose.
12. Lock the gun by turning the gun trigger lock to the locked position.

Operating the Spray Gun

⚠️ WARNING

POSSIBLE INJECTION HAZARD. Do not spray without the tip guard in place. Never trigger the gun unless the tip is in either the spray or the unclog position. Always engage the gun trigger lock before removing, replacing or cleaning tip.

Preparing to Spray

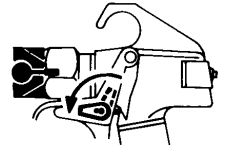
1. Move the ON/OFF switch to the OFF position.
2. Make sure the gun trigger lock is in the locked position.
3. Attach tip guard and tip to the gun as instructed by the tip guard or tip manuals.
4. Move the ON/OFF switch to the ON position.
5. Turn the PRIME/SPRAY valve up to the SPRAY position.
6. Test the spray pattern on a piece of cardboard. Adjust the pressure control knob until the spray from the gun is completely atomized.

Pressure Relief Procedure

⚠️ WARNING

Be sure to follow the “Pressure Relief Procedure” when shutting the unit down for any purpose, including servicing or adjusting any part of the spray system, changing or cleaning spray tips, or preparing for cleanup.

1. Lock the gun by turning the gun trigger lock to the locked position.
2. Move the ON/OFF switch to the OFF position.
3. Turn the pressure control knob counterclockwise to its lowest setting.
4. Unlock the gun by turning the gun trigger lock to the unlocked position.
5. Hold the metal part of the gun firmly to the side of a metal container to ground the gun and avoid a build up of static electricity.
6. Trigger the gun to remove any pressure that may still be in the hose.
7. Lock the gun by turning the gun trigger lock to the locked position.
8. Turn the PRIME/SPRAY valve down to the PRIME position.



Trigger lock □ in locked position.



Spraying

⚠ WARNING

POSSIBLE INJECTION HAZARD. Do not spray without the tip guard in place. Never trigger the gun unless the tip is in either the spray or the unclog position. Always engage the gun trigger lock before removing, replacing, or cleaning tip.

Spraying Technique

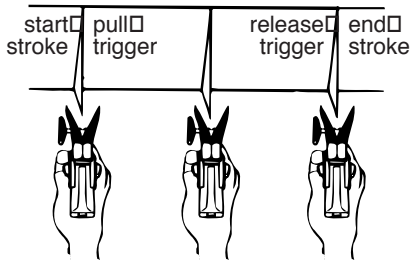
The following techniques, if followed, will assure professional painting results.

Hold the gun perpendicular to the surface and always at equal distance from the surface. Depending on the type of material, surface, or desired spray pattern, the gun should be held at a distance of 12 to 14 inches (30 to 35 cm).

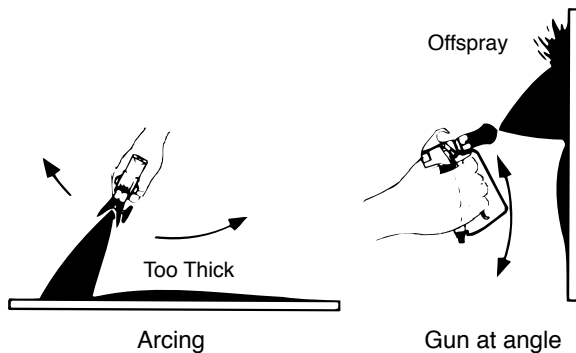
Move the gun either across or up and down the surface at a steady rate. Moving the gun at a consistent speed conserves material and provides even coverage. The correct spraying speed allows a full, wet coat of paint to be applied without runs or sags.

Holding the gun closer to the surface deposits more paint on the surface and produces a narrower spray pattern. Holding the gun farther from the surface produces a thinner coat and wider spray pattern. If runs, sags, or excessive paint occur, change to a spray tip with a smaller orifice. If there is an insufficient amount of paint on the surface or you desire to spray faster, a larger orifice tip should be selected.

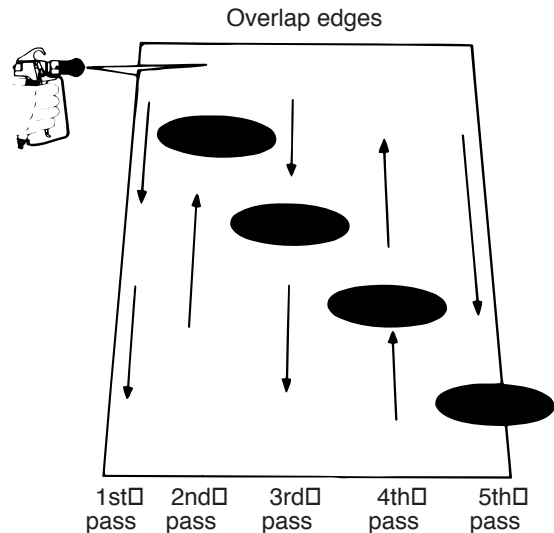
Maintain uniform spray stroke action. Spray alternately from left to right and right to left. Begin movement of the gun before the trigger is pulled.



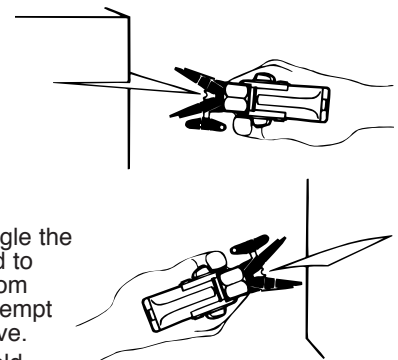
Avoid arcing or holding the gun at an angle. This will result in an uneven finish.



Proper lapping (overlap of spray pattern) is essential to an even finish. Lap each stroke. If you are spraying horizontally, aim at the bottom edge of the preceding stroke, so as to lap the previous pattern by 50%.



For corners and edges, split the center of the spray pattern on the corner or edge and spray vertically so that both adjoining sections receive approximately even amounts of paint.



If conditions are windy, angle the spray pattern into the wind to minimize drifting. Work from ground to roof. Do not attempt to spray if wind is excessive.

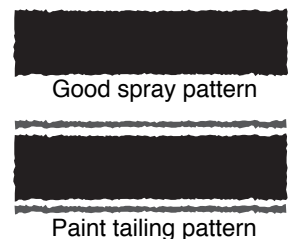
When spraying with a shield, hold it firmly against the surface. Angle the spray gun slightly away from the shield and toward the surface. This will prevent paint from being forced underneath.

Shrubs next to houses should be tied back and covered with a canvas cloth. The cloth should be removed as soon as possible. Titan gun extensions are extremely helpful in these situations.

Nearby objects such as automobiles, outdoor furniture, etc. should be moved or covered whenever in the vicinity of a spray job. Be careful of any other surrounding objects that could be damaged by overspray.

Practice

1. Be sure that the paint hose is free of kinks and clear of objects with sharp cutting edges.
2. Turn the pressure control knob counterclockwise to its lowest setting.
3. Turn the PRIME/SPRAY valve up to its SPRAY position.
4. Turn the pressure control knob clockwise to its highest setting. The paint hose should stiffen as paint begins to flow through it.
5. Unlock the gun trigger lock.
6. Trigger the spray gun to bleed air out of the hose.
7. When paint reaches the spray tip, spray a test area to check the spray pattern.
8. Use the lowest pressure setting necessary to get a good spray pattern. If the pressure is set too high, the spray pattern will be too light. If the pressure is set too low, tailing will appear or the paint will spatter out in gobs rather than in a fine spray.



Cleanup

⚠ WARNING

Special cleanup instructions for use with flammable solvents:

- Always flush spray gun preferably outside and at least one hose length from spray pump.
- If collecting flushed solvents in a one gallon metal container, place it into an empty five gallon container, then flush solvents.
- Area must be free of flammable vapors.
- Follow all cleanup instructions.

⚠ CAUTION

The pump, hose, and gun should be cleaned thoroughly after daily use. Failure to do so permits material to cake, seriously affecting the performance of the unit.

⚠ WARNING

Always spray at minimum pressure with the gun nozzle tip removed when using mineral spirits or any other solvent to clean the pump, hose, or gun. Static electricity buildup may result in a fire or explosion in the presence of flammable vapors.

Flushing the Unit

Flush the unit with the solvent appropriate to the material being used after daily use (use solvents at room temperature). The unit should then be flushed again with mineral spirits.

For long term storage, flush the unit with an appropriate oil before storing.

1. Follow the “Pressure Relief Procedure” found in the Operation section of this manual.
2. Remove the gun tip and soak in a container filled with a solution appropriate to the type of material being sprayed.
3. Check to be sure the pressure control knob is turned fully counterclockwise to its lowest setting.
4. Prepare a container of solvent appropriate to the type of material being sprayed.
5. Move the ON/OFF switch to the ON position.
6. Tilt the siphon tube above the material container and allow the unit to pump itself dry through the return tube.
7. Remove the material container and replace it with the container of appropriate solvent.
8. Allow the appropriate solvent to circulate through the unit for 2–3 minutes.
9. Move the ON/OFF switch to the OFF position.
10. Turn the PRIME/SPRAY valve up to its SPRAY position.
11. Hold the gun against the side of a metal material container and trigger the gun into the container. Be careful to prevent splashing
12. When solvent appears, release the gun trigger and place the gun in a separate metal container.
13. Trigger the spray gun into a waste container until solvent comes out and the pump, hose, and gun are clean.
14. Move the ON/OFF switch to the OFF position.
15. Turn the PRIME/SPRAY valve to PRIME. Remove the siphon tube from the solvent container.
16. Move the ON/OFF switch to the ON position and allow the unit to pump itself dry through the return tube.
17. Follow the “Pressure Relief Procedure” found in the Operation section of this manual.
18. Unplug the unit and store in a clean, dry area.

Maintenance

⚠ WARNING

Before proceeding, follow the “Pressure Relief Procedure” in the Operation section of this manual. Additionally, follow all other warnings to reduce the risk of an injection injury, injury from moving parts or electric shock. Always unplug the sprayer before servicing!

General Repair and Service Notes

NOTE: Refer to the Parts Lists and Service Instructions section of this manual for detailed service instructions.

The following tools are needed when repairing this sprayer:

Phillips Screwdriver	3/8" Hex Wrench
Needle Nose Pliers	5/16" Hex Wrench
Adjustable Wrench	1/4" Hex Wrench
Rubber Mallet	3/16" Hex Wrench
Flat-blade Screwdriver	5/32" Hex Wrench
1/2" Open End Wrench	

1. Before repairing any part of the sprayer, read the instructions carefully, including all warnings.
2. When disconnecting wires, use needle nose pliers to separate mating connectors.

⚠ CAUTION

Never pull on a wire to disconnect it. Pulling on a wire could loosen the connector from the wire.

3. Test your repair before regular operation of the sprayer to be sure that the problem is corrected. If the sprayer does not operate properly, review the repair procedure to determine if everything was done correctly. Refer to the Troubleshooting Charts to help identify other possible problems.
4. Make certain that the service area is well ventilated in case solvents are used during cleaning. Always wear protective eyewear while servicing. Additional protective equipment may be required depending on the type of cleaning solvent. Always contact the supplier of solvents for recommendations.
5. If you have any further questions concerning your TITAN Airless Sprayer, call TITAN:

Customer Service (U.S.)	1-800-526-5362
Fax	1-800-528-4826
Customer Service (Canada)	1-800-565-8665
Fax	1-905-856-8496
Customer Service (International)	1-201-405-7520
Fax	1-201-405-7449

Daily Maintenance

Perform the following procedures daily.

Filling the Wet Cup Reservoir With Oil

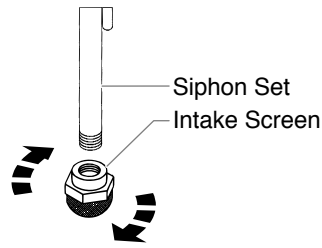
Before you start to spray each day, put a tablespoon of Piston Seal Lubricant (P.S.L.) into the wet cup in the upper pump housing. Household oil and cooking oil also work when P.S.L. is not available.

NOTE: Do not apply so much that it overflows and drips into the paint.

This lubricant keeps the piston seals pliant, minimizing paint bypass and piston wear. If the unit is operated several hours a day, lubricate approximately every 4 hours.

Cleaning the Intake Screen

1. Remove the intake screen and clean with a solvent appropriate to the type of material being used.

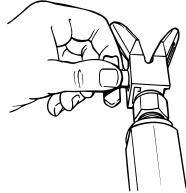


Spray Gun Maintenance

Cleaning the Spray Tip

1. Flush the gun with the appropriate solvent immediately after the work is completed.
2. Oil the retractor pins to prevent them from seizing up.

Should the spray tip become clogged, reverse the spray tip with the lever and pull the trigger. Once the obstruction comes out of the spray tip, release the trigger, reverse the spray tip back to the spray pattern setting, and resume spraying.

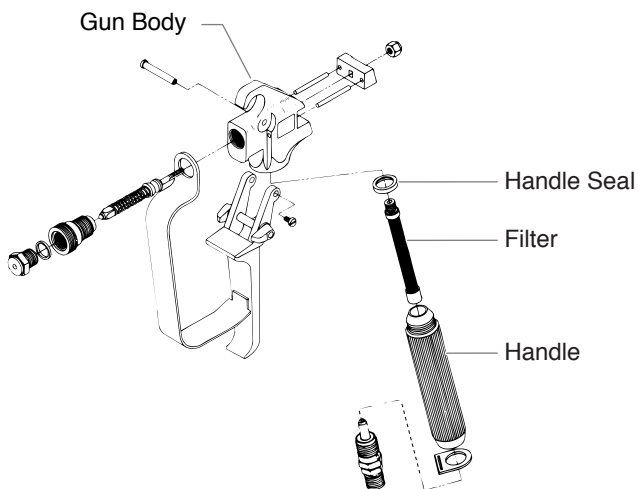


Replacing the Gun Filter

1. Move the gun trigger lock to the unlocked position.
2. Loosen and remove the handle from the gun body.
3. Turning clockwise, unscrew the filter from the gun body.

NOTE: Left-handed threads require turning the filter clockwise to remove. If the filter breaks off in the pump block, use a small wood screw to remove.

4. Turning counterclockwise, screw the new or cleaned filter into the gun body.
5. Make sure the handle seal is in position and thread the handle into the gun body until secure.
6. Move the gun trigger lock to the locked position.



NOTE: For more detail, part number information, and assembly drawings at larger scale, please see the LX -80 Professional Airless Gun Owner's Manual (#313-012).

Accessories

Airless Tip Selection

Tips are selected by the orifice size and fan width. The proper selection is determined by the fan width required for a specific job and by the orifice size that will supply the desired amount of fluid and accomplish proper atomization.

For light viscosity fluids, smaller orifice tips generally are desired. For heavier viscosity materials, larger orifice tips are preferred. Please refer to the chart below.

NOTE: Do not exceed the pump's recommended tip size.

The following chart indicates the most common sizes and the appropriate materials to be sprayed.

Tip Size	Spray Material	Filter Type
.011 — .013	Laquers and stains	100 mesh filter
.015 — .019	Oil and latex	50 mesh filter
.021 — .026	Heavy bodied latex and blockfillers	5 mesh filter

Fan widths measuring 8" to 12" (20 to 30 cm) are most preferred because they offer more control while spraying and are less likely to plug.

Liquid Shield

Cleans and protects spray systems against rust, corrosion and premature wear.

Part No.	Description
700-888	Case of 12 (1 quart bottles)
700-889	1 Quart



Piston Seal Lubricant (P.S.L.)

Specially formulated to prevent materials from adhering to the piston rod, which becomes abrasive to the upper seals. Piston Lube will break down any material that may accumulate in the wet cup and keep it from drying.

Part No.	Description
700-925	8 Ounce Individual
700-926	1 Quart Individual
700-911	Case of 12 (8 ounce bottles)
700-912	Case of 12 (1 quart bottles)



Miscellaneous

<u>Part No.</u>	<u>Description</u>
316-505.....	Airless Hose, 1/4" x 50'
690-375-50	Airless Hose, 3/8" x 50'
550-240.....	Airless Hose, 3/16" x 3'
550-222.....	Airless Hose, 3/16" x 9'
550-221.....	Airless Hose, 3/16" x 15'
500-428.....	High Pressure Swivel, gun-to-hose, 1/4" NPS(F) x 1/4" NPS(M)
500-424.....	High Pressure Swivel, hose-to-hose, 1/4" NPS(M) x 1/4" NPS(M)
490-012.....	Hose Coupling, 1/4" x 1/4"
490-016.....	Hose Coupling, 1/4" x 3/8"
490-014.....	Hose Coupling, 3/8" x 3/8"
490-036.....	T-Fittings, 1/4" X 1/4"
500-056.....	Four gun manifold
520-046.....	Tip Filter Retainer
490-005.....	Swivel Union, 1/4" M x 1/4" F
490-032.....	Swivel Union, 1/4" M x 3/8" F
490-007.....	Retaining Nut Adapter
730-235.....	High Pressure Fl. Gauge
757-120.....	Ball valve

Troubleshooting

Airless Pump

Problem

Electric motor won't run

Cause

1. Unit unplugged or circuit fuse blown
2. Pressure setting too low
3. Brushes on motor are worn
4. Electric motor burned out
5. Switch defective
6. Fuse in pump blow

Solution

1. Check
2. Increase
3. Replace
4. Replace
5. Replace
6. Replace

Pump won't prime

1. Air leak in siphon hose
2. Insufficient pressure

1. Check siphon hose o-ring and/or let paint circulate in with PRIME/SPRAY valve in the PRIME position
2. Increase pressure

Insufficient material flow

1. No paint
2. Inlet screen clogged
3. Pump/gun filter clogged
4. Pump will not prime, material too heavy

1. Check supply
2. Clean
3. Clean and replace
4. Thin material

Pump will not maintain pressure

1. Air leak in system
2. Air leak in siphon hose
3. Inlet valve not seating
4. Worn packings
5. Dirty or worn ball valves
6. Worn valve seats
7. Worn PRIME/SPRAY valve

1. Tighten connections
2. Tighten, check for leaks
3. Service or clean
4. Replace
5. Clean or replace
6. Reverse
7. Replace

Not enough pressure

1. Pressure setting too low
2. Plugged filters
3. Spray tip too big or worn

1. Increase
2. Clean or replace
3. Change or replace

Excessive surge at spray gun

1. Wrong type of hose
2. Spray tip too big or worn
3. Excessive pressure

1. Replace with a minimum 50' grounded nylon braid high pressure hose
2. Change or replace
3. Decrease pressure and engine speed

Paint leaks into oil cup

1. Worn out packings

1. Replace

Airless Gun

Problem

Spitting gun

Cause

1. Air in system
2. Dirty gun
3. Needle assembly out of adjustment
4. Broken or chipped seat

Solution

1. Inspect connections for air leaks
2. Disassemble and clean
3. Inspect and adjust
4. Inspect and replace

Gun will not shut off

1. Worn or broken needle and seat
2. Needle assembly out of adjustment
3. Dirty gun

1. Replace
2. Adjust
3. Clean

Gun does not spray

1. No paint
2. Plugged filter or tip
3. Broken needle in gun

1. Check fluid supply
2. Clean
3. Replace

Troubleshooting

Spray Patterns

Problem

Tails



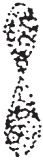
Cause

1. Inadequate fluid delivery

Solution

1. Fluid not atomizing correctly:
Increase fluid pressure. Change to smaller tip orifice size. Reduce fluid viscosity.
Reduce hose length. Clean gun and filter(s).
Reduce number of guns using pump.

Hour glass



1. Inadequate fluid delivery

1. Same as above.

Distorted



1. Plugged or worn nozzle tip

1. Clean or replace nozzle tip.

Pattern expanding and contracting (surge)



1. Suction leak
2. Pulsating fluid delivery

1. Inspect for suction hose leak.
2. Change to a smaller tip orifice size. Install pulsation dampener in system or drain existing one. Reduce number of guns using pump. Remove restrictions in system; clean tip screen if filter is used.

Round pattern



1. Worn tip
2. Fluid too heavy for tip

1. Replace tip.
2. Increase pressure. Thin material. Change nozzle tip.

Sécurité

Le présent manuel comprend des renseignements devant être lus attentivement avant toute utilisation de l'appareil. Lorsque l'un des symboles suivants apparaît, il est recommandé d'être particulièrement attentif et de tenir compte des mesures de sécurité indiquées.

⚠ AVERTISSEMENT

Ce symbole indique un danger potentiel pouvant causer des blessures graves ou même mortelles. Des renseignements importants sur la sécurité sont également indiqués.

⚠ ATTENTION

Ce symbole indique un danger potentiel pouvant causer des blessures corporelles ou des dommages à l'équipement. Des renseignements importants sur la façon de prévenir tout dommage à l'équipement ou toute blessure corporelle mineure sont également indiqués.

NOTA : Les remarques donnent des renseignements importants requérant une attention particulière.

⚠ AVERTISSEMENT

DANGER: BLESSURES PAR PERFORATION - Le jet de peinture à haute pression produit par cet appareil peut perforer la peau et les tissus sous-jacents et entraîner de sévères blessures pouvant nécessiter une amputation. Consultez immédiatement un médecin.

NE PAS TRAITER UNE BLESSURE PAR PERFORATION COMME UNE SIMPLE COUPURE! Une perforation peut entraîner des risques d'amputation. Consultez immédiatement un médecin.

Pression de service maximale du fluide dans l'appareil : 3200 lb/po2 / 221BAR.

MESURES PRÉVENTIVES:

- NE JAMAIS diriger le pistolet vers une quelconque partie du corps.
- NE JAMAIS mettre une quelconque partie du corps en contact avec le jet de liquide. NE JAMAIS se mettre au contact d'un jet de liquide provenant d'une fuite du flexible d'alimentation en liquide.
- NE JAMAIS placer votre main devant le pistolet. Des gants ne vous protégeront pas contre les risques de blessures par perforation.
- TOUJOURS verrouiller la gâchette du pistolet, fermer la pompe à liquide et décompresser l'appareil lorsque vous travaillez sur celui-ci, nettoyez le protecteur de tête, remplacez la tête de pulvérisation ou vous éloignez de l'appareil. Couper le moteur ne décompresse pas l'appareil. Vous devez, pour le décompresser, placer le bouton AMORÇAGE/PULVÉRISATION en position AMORÇAGE. Reportez-vous, pour cela, à la PROCÉDURE DE DÉCOMPRESSION décrite dans de ce manuel.
- TOUJOURS s'assurer que le protecteur de tête est en place lorsque vous pulvérisez. Le protecteur de tête offre une certaine protection contre les blessures par perforation mais sa principale fonction est d'ordre préventif.
- TOUJOURS ôter la tête de pulvérisation avant de purger ou nettoyer l'appareil.
- Le flexible d'alimentation en peinture peut fuir à la suite d'une usure, de chocs ou de mauvais traitements. Une fuite peut entraîner une perforation de la peau. Inspecter le flexible avant chaque utilisation.
- NE JAMAIS utiliser un pistolet dont la gâchette n'est pas munie d'un loquet ou un cran de sécurité qui soit en état de fonctionner.
- Tous les accessoires doivent être homologués pour une pression égale ou supérieure à 3 200 lb/po2 / 221BAR. Cela s'applique, entre autres, aux têtes de pulvérisation, aux accessoires du pistolet et aux flexibles.

AVERTISSEMENT AUX MÉDECINS : Une perforation sous-cutanée constitue un traumatisme. Il est important de traiter la blessure de façon chirurgicale aussitôt que possible. NE RETARDEZ PAS ce traitement pour des recherches de toxicité. La toxicité n'est un risque que dans les cas où certains produits de revêtement pénètrent dans le flux sanguin. Il peut être nécessaire de faire appel à des soins de chirurgie plastique ou de reconstruction de la main.

DANGER: RISQUES D'EXPLOSION OU D'INCENDIE - Les vapeurs dégagées par le solvant ou la peinture sont explosives et inflammables et peuvent causer des corporels sérieux ou dommages matériels.

MESURES PRÉVENTIVES:

- Veiller à éviter toute accumulation de vapeurs inflammables en vous assurant que la zone où la pulvérisation a lieu est suffisamment ventilée.
- Veiller à éviter la présence de toute source incandescente telle qu'étincelle électrostatique, flamme nue, flamme-pilote, objet brûlant, cigarette et étincelle provenant du branchement ou du débranchement d'un cordon d'alimentation électrique ou d'un commutateur.
- Ne pas fumer dans la zone d'épandage.
- Toujours avoir un extincteur en état de fonctionner à portée de la main.
- Placer la pompe à peinture à une distance d'au moins un mètre (3 pi) (on recommande d'ailleurs une plus grande distance) de l'objet qui doit être vaporisé dans une pièce séparée bien aérée, ou à une distance d'au moins six mètres (20 pi) de celui-ci dans une zone bien aérée (utiliser d'autres tuyaux si nécessaires). Les vapeurs inflammables sont souvent plus lourdes que l'air. Le plancher doit être extrêmement bien aéré. La pompe à peinture contient des pièces pouvant créer des étincelles et enflammer les vapeurs présentes dans l'air.
- Le matériel utilisé, ainsi que les objets se trouvant à proximité de la zone de pulvérisation, doivent être convenablement reliés à la terre afin d'éviter toute étincelle ou toute décharge électrostatique.
- N'utiliser que des flexibles d'alimentation en liquide à haute pression conducteurs ou reliés à la terre dans les cas d'utilisation sans air comprimé. S'assurer que le pistolet est convenablement relié à la terre par l'intermédiaire du flexible.
- Le cordon d'alimentation doit être raccordé à un circuit mis à la terre.
- Toujours purger l'appareil dans un contenant métallique séparé, en s'assurant que la pompe soit à basse pression et que le chapeau soit retiré. Tenir le pistolet fermement contre la paroi du contenant pour mettre celui-ci à la terre et empêcher l'émission d'étincelles causées par l'électricité statique.
- Se conformer aux consignes et recommandations de sécurité du fabricant du solvant ou du produit.
- S'entourer de toutes les précautions possibles lorsqu'on utilise des produits ayant un point d'éclair inférieur à 21 °C (70 °F). Le point d'éclair d'un fluide est la température à laquelle les vapeurs émanant du fluide peuvent s'enflammer au contact d'une flamme ou d'une étincelle.
- Le plastique peut être une source d'étincelles provoquées par l'électricité statique. Ne jamais utiliser une couverture en plastique pour fermer une zone d'épandage ni utiliser des toiles de protection en plastique lors de la pulvérisation de matières inflammables.
- Lorsque vous purgez l'appareil, veillez à utiliser à la pression minimale.

MOTEUR À ESSENCE (DANS LES CAS OÙ CELA S'APPLIQUE)

Toujours placer la pompe à l'extérieur de la structure à l'air frais. Garder tous les solvants loin de l'échappement du moteur. Ne jamais remplir le réservoir à carburant lorsque le moteur est en marche ou lorsqu'il est chaud ; les surfaces chaudes risquent d'enflammer le carburant déversé accidentellement. Toujours raccorder un fil de mise à la terre entre la pompe et un objet mis à la terre, tel qu'une conduite d'eau métallique. Se reporter au guide d'utilisation du moteur pour obtenir de plus amples renseignements concernant la sécurité.

DANGER: RISQUES D'EXPLOSION PAR INCOMPATIBILITÉ DES MATÉRIAUX - Peuvent être à l'origine de corporels sérieux ou dommages matériels.

MESURES PRÉVENTIVES:

- Ne pas utiliser de matériaux contenant des agents de blanchiment ou du chlore.
- Ne pas utiliser des solvants à base d'hydrocarbure halogéné tels que l'agent anticryptogamique, le chlorure de méthylène et le trichloro-éthane-1,1,1. Ces produits ne sont pas compatibles avec l'aluminium.
- Communiquer avec votre fournisseur de revêtement pour connaître la compatibilité du matériau avec l'aluminium.

DANGER: VAPEURS NOCIVES – la peinture, les solvants, les insecticides et autres matériaux peuvent être nocifs lorsqu'ils sont inhalés ou en contact avec le corps. Les vapeurs peuvent causer une nausée importante, des évanouissements ou un empoisonnement.

MESURES PRÉVENTIVES:

- Utiliser un respirateur ou un masque chaque fois qu'il y a des risques d'inhalation de vapeurs. Lire attentivement toutes les instructions se rapportant au masque pour vérifier que celui-ci vous assure une protection suffisante contre les vapeurs toxiques.
- Porter des lunettes de protection.
- Porter des vêtements de protection, conformément aux directives du fabricant de revêtement.

DANGER: GÉNÉRALITÉS - Peut causer des dommages matériels ou corporels sérieux.

MESURES PRÉVENTIVES:

- Avant d'utiliser tout équipement, lire attentivement toutes les instructions et les consignes de sécurité.
- Toujours débrancher le moteur de l'alimentation électrique avant d'effectuer des travaux sur l'appareil.
- Se conformer à la législation locale, provinciale ou fédérale pour tout ce qui concerne la ventilation, la prévention des incendies et les conditions générales d'utilisation.
- Les normes de sécurité du Gouvernement américain sont régies par le Occupational Safety and Health Act (OSHA). Il est important de consulter ces normes, en particulier la section 1910 sur les normes générales et la section 1926 sur les des normes de la construction.
- N'utiliser que les pièces autorisées par le fabricant. L'utilisateur assume tous les risques et responsabilités lorsqu'il utilise des pièces qui ne sont pas conformes aux caractéristiques techniques minimales ainsi qu'aux dispositifs de sécurité du fabricant de la pompe.
- Vérifier, avant toute utilisation, que les flexibles ne présentent pas d'entaille ou de fuite, que le couvercle ne soit pas gonflé et que les raccords ne soient pas endommagés. Si le flexible a subi l'un des dommages précités, remplacez-le immédiatement. Ne jamais réparer un flexible d'alimentation en peinture. Le remplacer par un autre flexible mis à la terre.
- Tout flexible, raccord orientable, pistolet et accessoire utilisé avec cet appareil doit pouvoir fonctionner à une pression égale ou supérieure à 3 200 lb/po² / 221BAR.
- Ne jamais pulvériser lorsqu'il vente.
- Porter des vêtements pour protéger la peau et les cheveux contre tout contact avec la peinture.

Instructions de mise à la terre

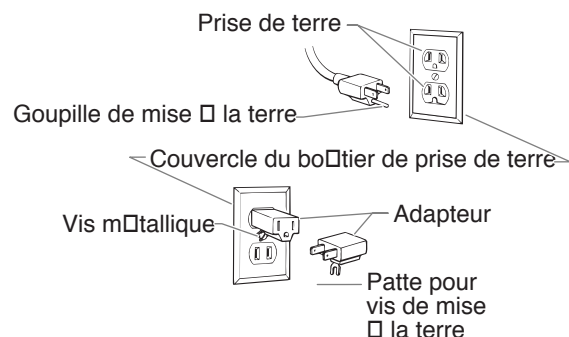
Cet appareil doit être mis à la terre. La mise à la terre réduit les risques d'électrocution lors d'un court-circuit en permettant au courant de s'écouler par le fil de mise à la terre. Cet appareil est muni d'un cordon électrique avec fil de mise à la terre ainsi que d'une fiche de terre. La fiche doit être branchée sur une prise installée correctement et mise à la terre conformément à la réglementation et aux codes en vigueur.

DANGER — Une prise de terre mal branchée peut être à l'origine d'électrocutions. S'il s'avère nécessaire de réparer ou de remplacer le cordon électrique ou la fiche, ne pas brancher le fil vert de mise à la terre sur l'une ou l'autre des bornes à broche plate. Le fil recouvert d'un isolant vert avec ou sans rayures jaunes est le fil de mise à la terre et doit être branché sur la broche de mise à la terre.

Si vous ne comprenez pas les instructions de mise à la terre ou si vous n'êtes pas sûr que l'appareil est correctement mis à la terre, contactez un électricien agréé. Ne pas modifier la fiche d'origine. Si la prise ne convient pas à la fiche, faites installer la prise adéquate par un électricien agréé.

Cet appareil est conçu pour une tension normale de 120 V et est muni d'une fiche de mise à la terre semblable à celle de l'illustration ci-dessous. Un adaptateur temporaire semblable à celui illustré à la figure ci-dessous, peut être utilisé pour raccorder cette fiche dans une prise bipolaire, tel qu'illustré, lorsqu'une prise de courant avec contact de mise à la terre n'est pas disponible.

L'adaptateur temporaire doit être utilisé seulement jusqu'à ce qu'une prise de courant avec contact de mise à la terre, tel qu'illustré ci-dessous, puisse être installée par un électricien qualifié. L'oreillette de fixation rigide de couleur verte ou le fil de mise à la terre raccordé à l'adaptateur doit être mis à la terre en permanence, par l'entremise d'un composant quelconque, tel qu'une boîte de sortie. Lorsque l'adaptateur est utilisé, il doit être tenu en place au moyen d'une vis métallique.



ATTENTION

Utiliser uniquement une rallonge à trois fils munie d'une fiche de terre dans une prise secteur mise à la terre correspondant au type de fiche de l'appareil. S'assurer que votre rallonge est en bon état. Lorsque vous utilisez une rallonge, assurez-vous qu'elle soit d'un calibre suffisant pour supporter l'intensité du courant requise par l'appareil. Une rallonge trop mince entraîne une chute de tension, une diminution de l'intensité et une surchauffe. Une rallonge de calibre 12 est recommandée. Si vous devez utiliser une rallonge à l'extérieur, celle-ci doit comprendre la marque W-A après la désignation indiquant le type de cordon. Par exemple, la désignation SJTW-A indique que le cordon est conçu pour être utilisé à l'extérieur.

NOTA: Ne pas utiliser de rallonge de plus de 16 m (50 pi). Si vous devez peindre à plus de 33 m de la prise d'alimentation, utilisez un tuyau de peinture plus long et non une rallonge plus longue.

Seguridad

Este manual contiene información que debe leer y comprender antes de usar el equipo. Cuando se encuentre con uno de los siguientes símbolos, asegúrese de observar sus indicaciones de seguridad.

⚠ ADVERTENCIA

Este símbolo indica la existencia de un peligro potencial que puede causar lesiones graves o la muerte. Después del mismo se incluye información de seguridad importante.

⚠ PRECAUCION

Este símbolo indica la existencia de un peligro potencial para usted o el equipo. Después del mismo se incluye información importante que indica la forma de evitar daños al equipo o la forma de prevenir lesiones menores.

NOTA: los avisos contienen información importante, présteles especial atención.

⚠ ADVERTENCIA

PELIGRO: LESIÓN POR INYECCIÓN - La corriente de pintura de alta presión que produce este equipo puede perforar la piel y tejidos subyacentes, lo que conduciría a lesiones serias y una posible amputación. Consulte de inmediato a un médico.

NO TRATE LAS LESIONES POR INYECCIÓN COMO SI FUERAN SIMPLES CORTADAS! Una inyección puede conducir a una amputación. Consulte de inmediato a un médico.

El rango de operación máximo de la unidad es 3200 PSI / 221BAR de presión de fluidos.

PARA PREVENIR:

- NO dirija NUNCA la punta de la pistola hacia alguna parte del cuerpo.
- NO permita NUNCA que alguna parte del cuerpo tenga contacto con la corriente del fluido. EVITE tener contacto con corrientes de fluido que salgan de fugas que haya en la manguera.
- NO ponga NUNCA la mano enfrente de la manguera. Los guantes no ofrecen ninguna protección contra lesiones por inyección.
- Bloquee SIEMPRE el gatillo de la pistola, apague la bomba de fluido y libere toda la presión antes de dar mantenimiento, limpiar el protector de la boquilla, cambiar la boquilla o dejar desatendido el equipo. La presión no se liberará al apagar el motor. Para liberar la presión debe girarse la perilla PRIME/SPRAY (cebar/atomizar) hasta la posición PRIME. Consulte el PROCEDIMIENTO PARA LIBERAR LA PRESIÓN que se describe en este manual.
- Mantenga puesto SIEMPRE el protector de la boquilla mientras atomice. El protector de la boquilla ofrece cierta protección contra lesiones por inyección pero es principalmente un dispositivo de advertencia.
- Quite SIEMPRE la boquilla del atomizador antes de enjuagar o limpiar el sistema.
- Pueden desarrollarse fugas en la manguera de pintura por causa del desgaste, retorcimientos o el abuso. Una fuga es capaz de inyectar el material en la piel. Cada vez que use la manguera de pintura, inspecciónela antes.
- NO use nunca una pistola de atomización que no tenga un bloqueador o un protector de gatillo puesto y que funcione.
- Todos los accesorios deben tener una capacidad de 3200 lb/pulg² / 221BAR o mayor. Esto incluye las boquillas de atomizador, pistolas, extensiones y mangueras.

NOTA PARA EL MÉDICO: La inyección dentro de la piel es una lesión traumática. Es importante que la lesión se trate quirúrgicamente tan pronto como sea posible. NO retrase el tratamiento por investigar la toxicidad. La toxicidad es motivo de preocupación con algunos revestimientos que se inyectan directamente en la corriente sanguínea. Es recomendable consultar a un cirujano plástico o reconstructor de manos.

PELIGRO: EXPLOSIÓN O INCENDIO - Los vapores de solventes y pintura pueden explotar o incendiarse, causando con esto lesiones severas y/o daños en la propiedad.

PARA PREVENIR:

- Debe proveerse un escape y aire fresco para hacer que el aire que está dentro del área de atomización se mantenga libre de acumulaciones de vapores inflamables.
- Evite todas las fuentes de ignición como son las chispas electrostáticas, llamas abiertas, flamas de piloto, objetos calientes, cigarros, y chispas que se generan al conectar y desconectar las extensiones o de apagadores de luz que estén funcionando.
- No fume en la zona de trabajo.
- Debe haber un equipo para extinguir incendios permanentemente y en buenas condiciones.
- Coloque la bomba para pintar a un mínimo de 1 m (de preferencia más) en una habitación aparte, bien ventilada, alejada del objeto que va a pintar o a por lo menos 6 m de dicho objeto, en una zona bien ventilada (utilice una manguera más larga, si es necesario). Los gases inflamables a menudo son más pesados que el aire. La zona del piso debe tener la debida ventilación. La bomba para pintar contiene piezas que forman arcos que emiten chispas y pueden encender los gases.
- El equipo que se utilice, así como los objetos que estén dentro y alrededor del área de atomización, deben conectarse a tierra de manera apropiada para prevenir las descargas eléctricas y las chispas.
- Use solamente mangueras para fluidos de alta presión, conductoras o conectadas a tierra, para aplicaciones sin aire. Asegúrese de que la pistola esté conectada a tierra de manera apropiada, mediante conexiones de manguera.
- El cable de alimentación debe enchufarse a un circuito aterrado.
- Siempre enjuague la unidad en un recipiente de metal por separado, con presión baja en la bomba y sin la boquilla. Sostenga la pistola firmemente contra el recipiente para ponerlo a tierra y evitar chispas estáticas.
- Siga las advertencias y avisos de seguridad del fabricante de los materiales y solventes.
- Tenga muchísimo cuidado al usar materiales cuyo punto de ignición sea inferior a 70° F (21° C). El punto de ignición es la temperatura a la cual pueden encenderse los vapores emanados por un fluido al exponerlos a llamas o chispas.
- El plástico puede causar chispas estáticas. Nunca cuelgue plástico en las ventanas ni en las puertas del área donde va a pintar. No utilice plástico para proteger el piso cuando pinte materiales inflamables.
- Cuando enjuague el equipo utilice la presión más baja posible.

MOTOR DE GAS (SEGÚN CORRESPONDA)

Coloque siempre la bomba fuera del edificio, al aire libre. Mantenga todo solvente alejado del escape del motor. Nunca llene el tanque de combustible si el motor está encendido o caliente. La superficie caliente puede encender el combustible derramado. Conecte siempre un conductor de tierra desde la unidad de la bomba a un objeto puesto a tierra, por ejemplo una tubería de agua metálica. Consulte el manual del motor para obtener información completa de seguridad.

PELIGRO: PELIGRO DE EXPLOSIÓN DEBIDO A MATERIALES INCOMPATIBLES - Podría causar lesiones severas o daños en la propiedad.

PARA PREVENIR:

- No utilice materiales que contengan blanqueador o cloro.
- No use solventes con hidrocarburos halogenados, tales como productos para eliminar el moho, cloruro de metileno y 1,1,1 - tricloroetano. Estos no son compatibles con el aluminio.
- Comuníquese con el proveedor del producto para obtener información de compatibilidad con materiales de aluminio.

PELIGRO: GASES PELIGROSOS - Las pinturas, solventes, insecticidas y otros materiales pueden ser perjudiciales si se inhalan o entran en contacto con el cuerpo. Los gases pueden causar náusea, desmayos o envenenamiento graves.

PARA PREVENIR:

- Use una mascarilla respiratoria o careta siempre que exista la posibilidad de que se puedan inhalar vapores. Lea todas las instrucciones que vengan con la careta para estar seguro de que se tendrá la protección necesaria contra la inhalación de vapores dañinos.
- Use gafas protectoras.
- Use ropa de protección, según lo requiera el fabricante del producto.

PELIGRO: GENERAL - Puede causar daños en la propiedad o lesiones severas.

PARA PREVENIR:

- Lea todas las instrucciones y advertencias de seguridad antes de hacer funcionar cualquier equipo.
- Desconecte siempre el motor del suministro eléctrico antes de dar servicio al equipo.
- Observe todos los códigos locales, estatales y nacionales apropiados que rigen las medidas de ventilación, prevención de incendios y operación.
- Los Estándares de Seguridad del Gobierno de los Estados Unidos se han adoptado bajo el Acta de Seguridad y Salud Ocupacionales (OSHA por sus siglas en inglés). Deben consultarse estos estándares, particularmente la parte 1910 de los Estándares Generales y la parte 1926 de los Estándares de la Construcción.
- Utilice únicamente piezas autorizadas por el fabricante. El usuario asume todos los riesgos y responsabilidades si usa piezas que no cumplen con las especificaciones mínimas y dispositivos de seguridad del fabricante de la bomba.
- Antes de usarla cada vez, revise todas las mangueras para ver que no tengan cortadas, fugas, una cubierta desgastada por abrasión o con abolladuras, así como uniones dañadas o que se hayan movido. Si existiera cualquiera de estas condiciones, reemplace la manguera inmediatamente. No repare nunca una manguera de pintura. Reemplácela con otra manguera conectada a tierra.
- Todas las mangueras, soportes giratorios, pistolas y accesorios que se usen con esta unidad deben tener una capacidad de presión de 3200 lb/pulg² / 221 BAR o mayor.
- No atomice en días con viento.
- Use ropa que evite el contacto de la pintura con la piel y el cabello.

Instrucciones para conectar a tierra

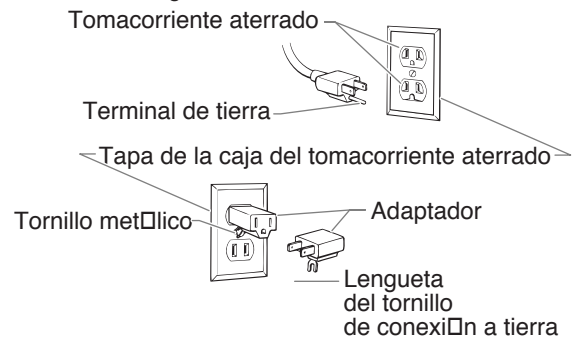
Este producto se debe conectar a tierra. En caso de que ocurra un corto circuito, la conexión a tierra reduce el riesgo de choque eléctrico al proporcionar un alambre de escape para la corriente eléctrica. Este producto está equipado con un cable que tiene un alambre de conexión a tierra con un enchufe de conexión a tierra apropiado. El enchufe se debe enchufar en una toma de corriente que se haya instalado y conectado a tierra debidamente, de acuerdo con todos los códigos y estatutos locales.

PELIGRO — Una instalación inapropiada del enchufe de conexión a tierra puede dar como resultado el que exista un riesgo de choque eléctrico. Si es necesario reparar o reemplazar el cable o el enchufe, no conecte el alambre de conexión a tierra a ninguno de los terminales de hoja planas. El alambre con aislamiento que tiene la superficie exterior de color verde con franjas amarillas o sin ellas es el alambre de conexión a tierra que debe conectarse al conector de conexión a tierra.

Verifique con un electricista o técnico de servicio calificado si las instrucciones para conectar a tierra no le han quedado completamente claras, o si duda que el producto haya quedado conectado a tierra de manera apropiada. No modifique el enchufe que se proporciona. Si el enchufe no entra en la toma de corriente, pídale a un electricista calificado que instale la toma apropiada.

Este producto está diseñado para usarse en un circuito de 120 voltios nominales y el enchufe de conexión a tierra que tiene se parece al enchufe que se ilustra a continuación. Si no dispone de una toma de corriente con conexión a tierra, puede usar un adaptador temporal que se asemeja al adaptador ilustrado en la figura a continuación, para conectar este enchufe en un receptáculo de 2 polos como se muestra.

El adaptador temporal solamente se debe utilizar hasta que un electricista calificado instale debidamente una toma de corriente con conexión a tierra. La patilla verde o alambre de conexión a tierra que se extiende desde el adaptador se debe conectar a tierra permanente, tal como la tapa de una caja de distribución conectada a tierra. Cuando use el adaptador, debe mantenerlo en su lugar con un tornillo metálico.



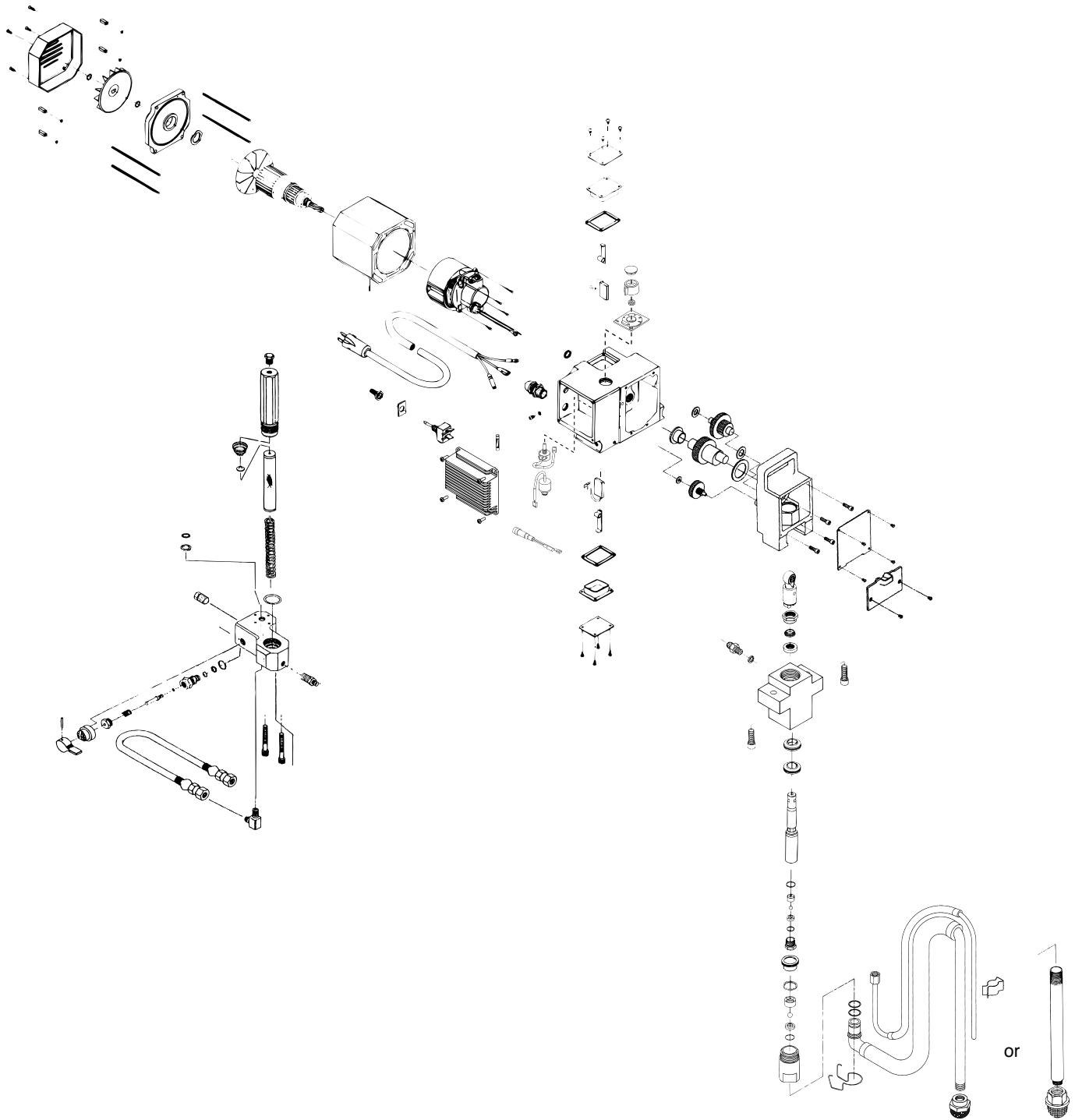
PRECAUCIÓN

Use solamente extensiones trifilares que tengan un enchufe de conexión a tierra de 3 hojas y un receptáculo de triple ranura que acepte el enchufe del producto. Asegúrese de que su extensión esté en buenas condiciones. Cuando use una extensión, asegúrese de usar una que sea lo suficientemente resistente como para soportar la corriente que descargue su producto. Un cable de un tamaño menor causará una caída de voltaje en la línea que dará como resultado una pérdida de energía y un sobrecalentamiento. Se recomienda usar un cable de calibre 12. Si se utiliza un cable de extensión en el exterior, tiene que estar marcado con el sufijo W-A después de la designación del tipo de cable. Por ejemplo, SJTW-A para indicar que el cable es apropiado para uso en exteriores.

NOTA: No use una extensión de más de 50 pies. Si necesita pintar a una distancia que esté más allá de 100 pies de su fuente de energía, alargue la manguera de pintura, no la extensión.

Parts Lists and Service Instructions

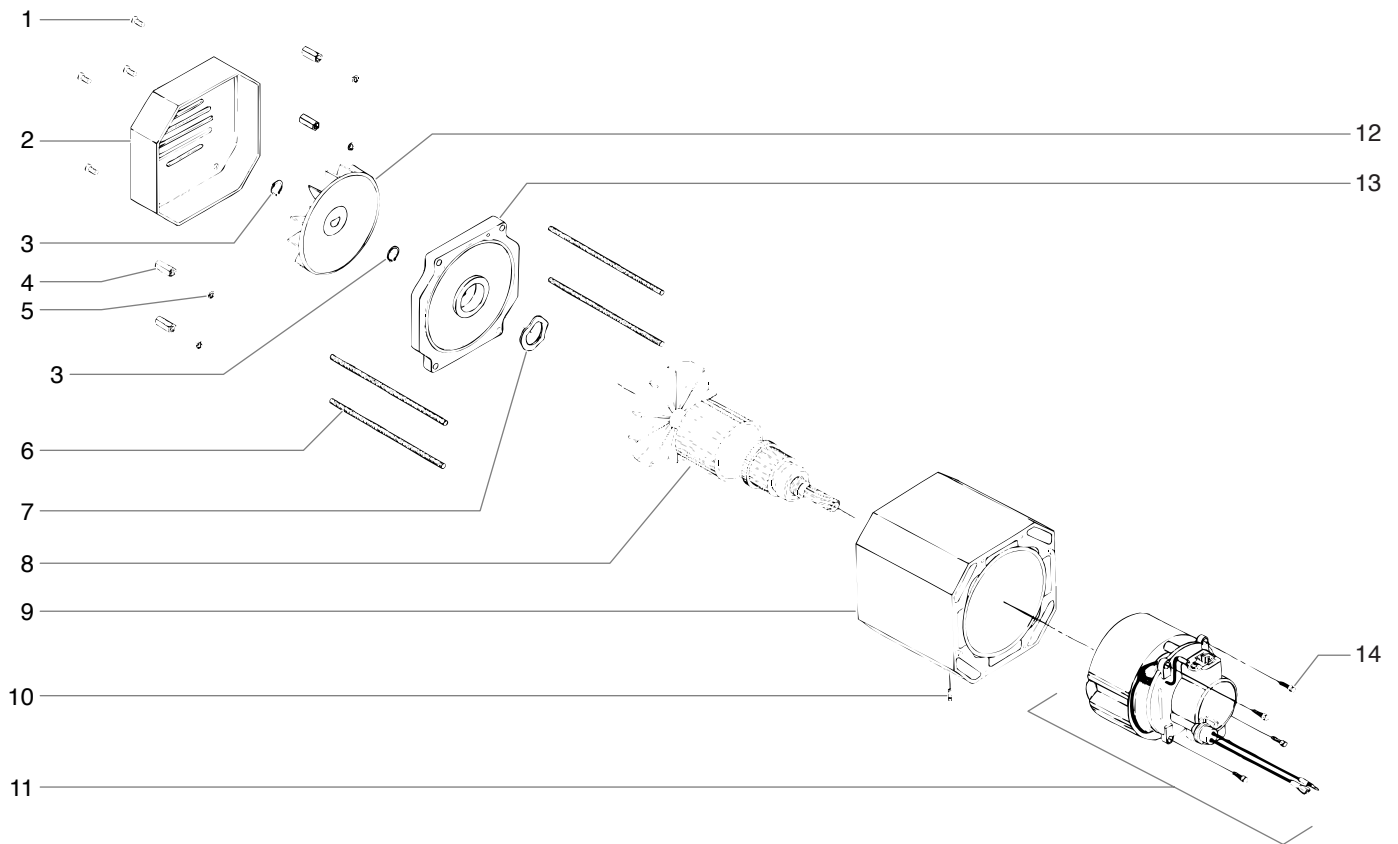
Main Assembly



NOTE: Siphon down tube □
for use with High Rider only.

Replacement Labels		
Part #	Description	Quantity
700-1016	Front cover label	1
313-175	"Warning/Attention" (label In French).....	1
313-1484	Wraparound 550XC label.....	1

Motor Assembly



Item	Part #	Description	Quantity
1	765-062	Screw.....	4
2	765-032	Rear cover.....	1
3	765-006	Snap ring.....	2
4	765-025	Coupling nut (torque to 25 in./lbs.) ...	4
5	765-060	Lock washer.....	4
6	765-019	Mounting stud.....	4
7	765-012	Wave washer.....	1
8	765-020	Armature.....	1
9	765-099	Motor housing (includes item 10).....	1
10	765-059	Screw.....	1
11	765-016	Motor field assy.....	1
12	765-008	Fan.....	1
13	765-029	Motor housing cover.....	1
14	700-639	Screw.....	4

⚠ WARNING

Before proceeding, follow the “Pressure Relief Procedure” in the Operation section of this manual. Additionally, follow all other warnings to reduce the risk of an injection injury, injury from moving parts or electric shock. Always unplug the sprayer before servicing!

Replacing the Armature

1. Remove rear cover (2) by taking out screws (1).
2. Remove snap ring (3).
3. Remove fan (12).
4. Remove snap ring (3).
5. Remove motor housing cover (13) by removing screws (4).

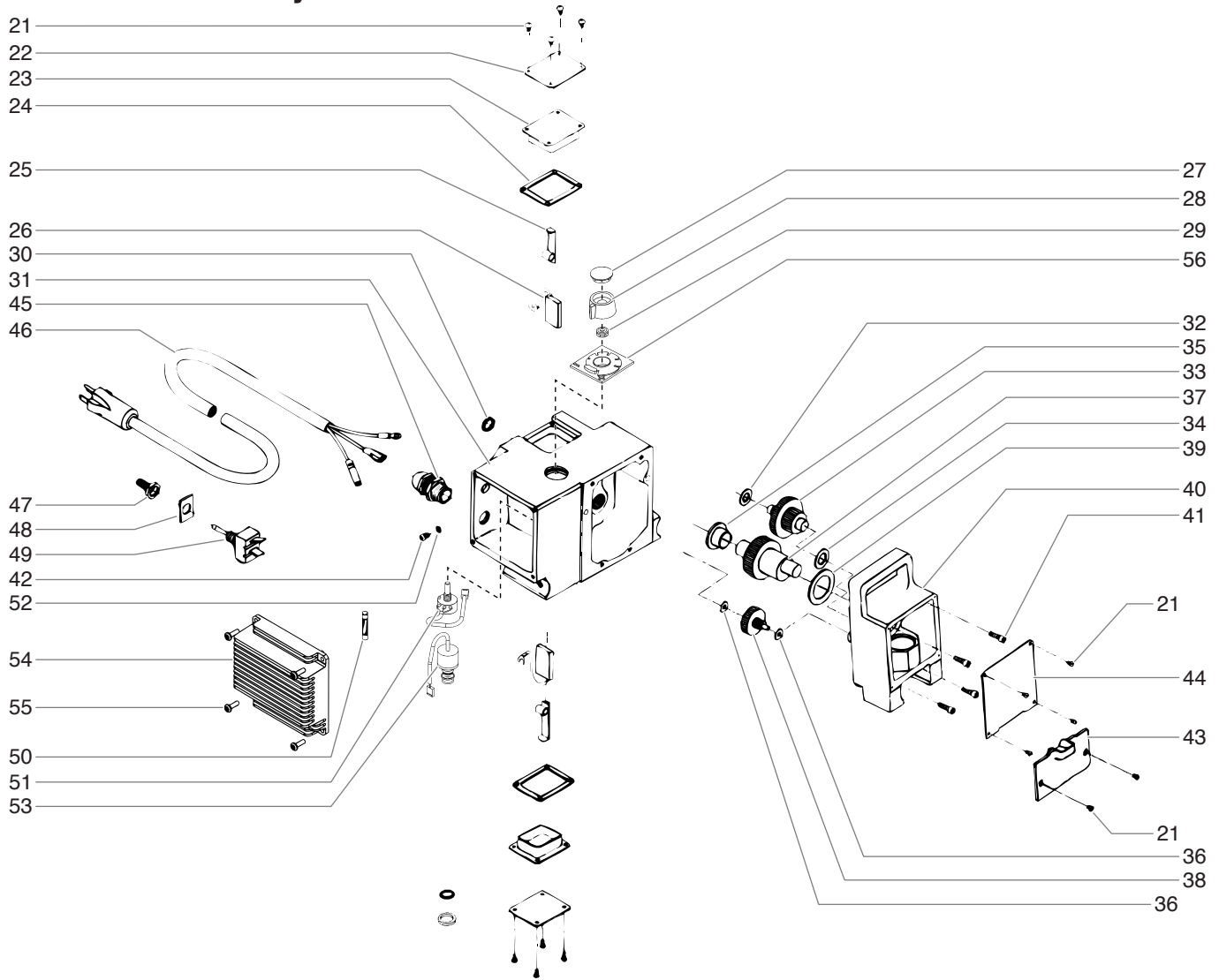
NOTE: Make sure to remove wave washer (7), which should be on the end bearing of the armature.

6. Remove the motor brushes. Follow the “Replacing the Motor Brushes” procedure in this section of the manual.
7. Remove the armature (8) by gently rocking and pulling the fan from the rear of pump.
8. Inspect the armature. If damaged, replace.
9. To replace the armature, reverse steps 1–7 above.

Replacing the Motor Housing

1. Follow steps 1–6 of the “Replacing the Armature” procedure above.
2. Remove the pressure control board and screws (see the “Gear Box Assembly” parts list) .
3. Disconnect the black wire and the white wire that connect the motor to the pressure control board (refer to the electrical schematic in this section of the manual).
4. Remove motor housing (9).
5. Loosen set screw (10) and push motor field assembly (11) out from the back of the motor housing.
6. Inspect the motor field assembly. If damaged, replace.
7. To install the motor housing, reverse steps 1–5 above and steps 1–7 of the “Replacing the Armature” procedure.

Gear Box Assembly



Item	Part #	Description	Quantity
21	730-260	Screw	10
22	702-053	Brush plate.....	2
23	702-039	Brush insulator.....	2
24	765-047	Brush gasket.....	2
25	765-037	Brush spring.....	2
26	765-009	Motor brush.....	2
27	700-175	Cap	2
28	700-159	Pressure control knob.....	1
29	700-176	Seal nut.....	1
30	765-017	Oil seal.....	1
31	766-043	Gear housing (includes items 29 and 30)	1
32	700-688	Thrust washer	1
33	765-067	Output pinion gear	1
34	700-514	Thrust washer	1
35	700-593	Thrust washer	1
36	765-057	Thrust washer	2
37	730-360	Crankshaft	1
38	765-046	Pinion gear.....	1

Item	Part #	Description	Quantity
39	700-680	Thrust washer	1
40	765-044	Pump housing.....	1
41	700-681	Screw	4
42	700-653	Screw	1
43	700-791	Safety plate (skid/low rider)	1
	765-142	Safety plate (high rider)	
44	700-418	Front plate.....	1
45	765-063	Cord grip assembly.....	1
46	765-054	Power cord.....	1
47	700-645	Rubber boot.....	1
48	700-775	ON/OFF plate	1
49	700-646	ON/OFF switch	1
50	700-895	Fuse 15 A	1
51	700-158	Potentiometer	2
52	700-785	Lock washer.....	3
53	700-197	Pressure transducer assembly	1
54	700-162	Pressure control board	1
55	700-139	Screw.....	4
56	700-148	Potentiometer mount	1

WARNING

Before proceeding, follow the “Pressure Relief Procedure” in the Operation section of this manual. Additionally, follow all other warnings to reduce the risk of an injection injury, injury from moving parts or electric shock. Always unplug the sprayer before servicing!

Replacing the Gear

1. Remove the safety plate (43) and the front plate (44).
2. Remove the outlet mounting bolt from the rear of pump.
3. Remove the pump housing mounting screws (41) with a 3/16" allen wrench
4. With the fluid section attached to the pump housing (40), pull the pump housing away from the gear housing (31).
5. Inspect the gears beginning with the crankshaft (37), followed by the output pinion gear (33) and the pinion gear (38).
6. Inspect the pinion gear on the armature assembly (see the Motor Assembly parts list) by removing the motor as described in the “Replacing the Armature” procedure.
7. Reassemble by reversing steps 1–6 above. When reassembling, make sure that all washers are in place and that gears and bearing are properly lubricated.
8. Grease the crankshaft (37) every 100 hours. The grease fitting located under the front plate.
9. Grease the connecting rod in the fluid section every 100 hours. The grease fitting located on the connecting rod under front plate.

Replacing the ON/OFF Switch

1. Remove the pressure control board and screws (54 and 55).
2. Disconnect the two black wires from the ON/OFF Switch (49).
3. Remove the rubber boot (47) and the ON/OFF plate (48) with a wrench.
4. Remove the ON/OFF Switch (49).
5. Install a new ON/OFF switch and reattach the ON/OFF plate and the rubber boot. Tighten securely.
6. Reconnect the two black wires to the new ON/OFF Switch.
7. Reinstall the pressure control board and screws, with the warning label facing out.

Replacing the Power Cord

1. Remove the pressure control board and screws (55 and 56).
2. Disconnect the power cord (46) from the pressure control board (54), the ON/OFF switch (49), and the grounding screw (42). Refer to the electrical schematic.
3. Loosen the cord grip housing (45) and remove the power cord.
4. Install the new power cord in reverse order of disassembly.
5. Reinstall the pressure control board and screws with the warning label facing out.

Replacing the Motor Brushes

1. Remove the brush plate (22).
2. Remove the brush insulator (23).
3. Remove the brush spring (25).

NOTE: To remove the brush spring, push the spring down and in for it to release.

4. Back off screw. Hold the brush wire and remove the motor brush (26).
5. Inspect the motor brush. If damaged, replace.

6. Repeat this procedure for the other brush.
7. To reinstall the motor brushes, reverse steps 1–6 above.

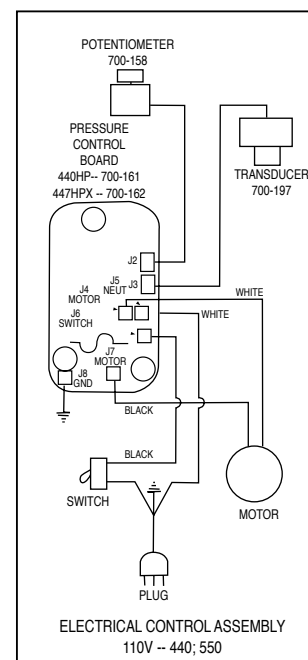
NOTE: Never operate this unit without the brush insulator and brush plate installed.

Replacing the Pressure Switch

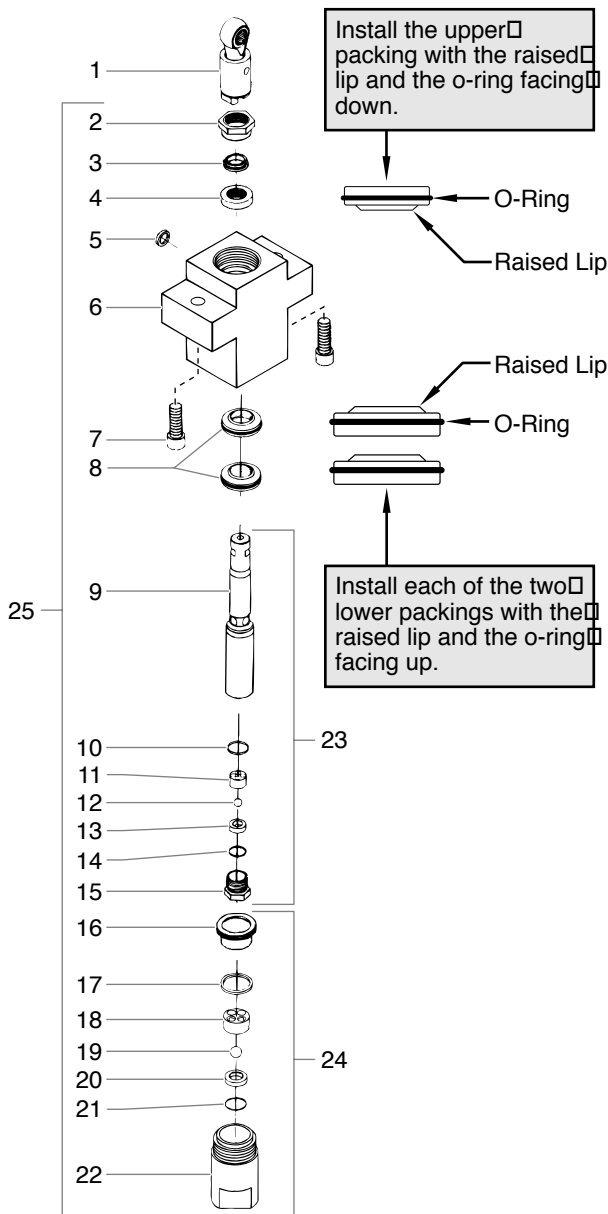
1. Remove the old pressure switch. Be sure all loose parts are removed from the electrical box.
2. Install the transducer assembly (53) with o-rings in place. Then, press the assembly securely into the filter block. It is recommended that you replace the polyethylene gasket that is between the pump and the filter block.
3. Reattach the filter block by guiding the transducer wires through the bottom hole of the electrical box. Reinstall the two original bolts that mount the filter block to the pump. Be sure to tighten them evenly.
5. When installing the plastic potentiometer mount (56) from the top of the electrical box, be sure the stop (raised portion of the mount) is closest to the opening of the electrical box. Square up the mount to the opening. Use a rubber mallet to press the mount onto the pump, making it flush. Use Loctite for mounting.
6. Put the potentiometer shaft (51) through the upper hole in the electrical box, from the inside. The wires on the potentiometer should come out of the box. Turn the potentiometer clockwise or counterclockwise until it finds the locating hole and stops turning. Install the seal tight nut (29) onto the shaft of the potentiometer. Use needle nose pliers to start the nut, and with a 1/2" socket 1/4" drive, tighten to a torque of 4 in./lbs.
7. Turn the potentiometer shaft clockwise until it stops.
8. Loosen the nut on the pressure control knob (28), and install onto the shaft of the potentiometer with the pointer pointing away from the opening of the electrical box.
9. Hand tighten the nut onto the potentiometer knob and turn the knob clockwise until it hits the stop. With a 5/16" socket, tighten the nut onto the knob to 2 in./lbs. Install the plastic potentiometer cap (27) onto the top of the knob.

NOTE: Do not over-tighten the nut on the potentiometer.

Electrical Schematic



Fluid Section Assembly



Item	Part #	Description	Quantity
1	700-735	Crank and slide connecting rod assy.	1
2	730-508	Retainer	1
3	700-587	Upper guide	1
4	700-603	Upper seal	1
5	700-804	Gasket	1
6	730-505	Pump housing	1
7	700-678	Head cap screw	2
8	700-601	Lower seal	2
9	704-089	Piston rod	1
10	762-111	Seal	1
11	762-135	Upper cage.....	1
12	762-144	Outlet valve ball.....	1
13	762-134	Seat	1
14	762-057	O-ring	1
15	762-073	Outlet valve housing.....	1
16	730-509	Bushing	1
17	700-821	Seal	1
18	730-510	Cage.....	1
19	762-145	Ball	1
20	762-137	Inlet valve seat	1
21	762-058	O-ring	1
22	704-054	Foot valve housing (low rider/skid).....	1
	730-511	Foot valve housing (high rider)	1
23	704-090	Piston assembly	1
24	730-560	Foot valve assembly	1
25	730-540	Fluid section complete, low rider and skid (includes items 2-4, 6, and 8-22)	1
	765-143	Fluid section complete, high rider	1
26	762-202	Packing tool (not shown).....	1

For High Rider Only:

761-033	Pail hook (not shown).....	1
710-033	Bolt (for pail hook, not shown)	2

NOTE: Repacking Kit P/N 730-401 includes items 3, 4, 5, 8, 10, 12, 14, 17, 19, 21, (packing grease P/N 700-203 and piston guide tool P/N 700-793 are also included).

Servicing/Repairing the Fluid Section



Before proceeding, follow the “Pressure Relief Procedure” in the Operation section of this manual. Additionally, follow all other warnings to reduce the risk of an injection injury, injury from moving parts or electric shock. Always unplug the sprayer before servicing!

1. Remove the safety plate (see the “Gear Box Assembly” parts list).
2. Stop the sprayer at the top of its stroke so that the piston is in its highest position. Turn off and/or unplug the sprayer.
3. Remove the return tube with a wrench (see the “Siphon Assembly” parts list).
4. Squeeze the retaining clip together (see the “Siphon Assembly” parts list) and pull it down and out of the foot valve (22).
5. Remove the siphon assembly by pulling it down and out of the foot valve (22).
4. Tilt the pump back for easy access to the fluid section.

Servicing the Seat

The design of the fluid section allows access to the inlet and outlet valves and seat without completely disassembling the fluid section. It is possible that the valves may not seat properly because of debris stuck in the inlet or outlet seat. Follow the instructions below for access to those areas.

5. Place a wrench on the foot valve housing (22) and unthread.
6. Clean out all debris. Examine the foot valve parts and the inlet valve seat (20). If damaged replace. Continue if necessary or re-install.
7. Place a 3/4" socket on the outlet valve housing (15) and remove.
8. Clean out all debris. Examine the outlet valve parts and the seat (13). If damaged, reverse or replace.
9. Reassemble and test the unit. Should the unit not perform properly, consult the "Troubleshooting" section in this manual or continue with the valve repair and packing replacement instructions below.

Servicing/Replacing the Outlet Valve

10. To clean or replace the outlet valve, remove the outlet valve housing (15) while piston assembly (23) is still attached to pump. This will prevent the piston from rotating.
11. Remove upper cage (11), the seat (10), and the outlet valve ball (12). Clean and inspect along with the outlet valve housing (15). Replace if worn or damaged. Use fine sandpaper to remove dried paint.
12. Reattach items 10–15 to the piston rod (9), and secure tightly with a wrench.

Replacing the Packings

13. Unscrew the hose (see the "Filter Block Assembly" parts list) from the fitting.
14. Remove the screws (7) with a 3/8" hex wrench and slide the fluid section down so that the piston rod (9) is clear to slide off.
15. Inspect the polyethylene gasket (5) on the fitting after removing the fluid section. Clean or Replace.
16. Remove the retainer (2) and slide the piston rod down through the pump housing (6) by lightly tapping on top of piston assembly (23). Clean and inspect the piston rod for wear. Replace if necessary.
17. Remove the upper packings (4) and the lower packings (8) from the pump housing (6) and replace with a new set. Always insert the packings with the raised side facing into the pump housing.
18. Reattach the retainer (2) and make sure that the upper guide (3) is clean and undamaged.
19. Place the pump housing (6) into a vise, leaving enough room to slide the piston rod through the bottom of the pump housing.
20. Using the piston guide tool (included in the repacking kit), which slides over the top of the piston assembly (23), insert the piston rod through the bottom of the pump housing (6) and tap lightly with a rubber mallet on the bottom of the piston rod until inserted.
21. Align the flats on the piston rod so that they are perpendicular to the pump housing (23) and will line up when reattaching to the connecting rod (1). This can be achieved by rotating the piston rod by placing a wrench on the outlet valve housing assembly (15) and turning.



Never use a wrench on the piston rod itself. This could cause damage to the piston rod and cause leakage.

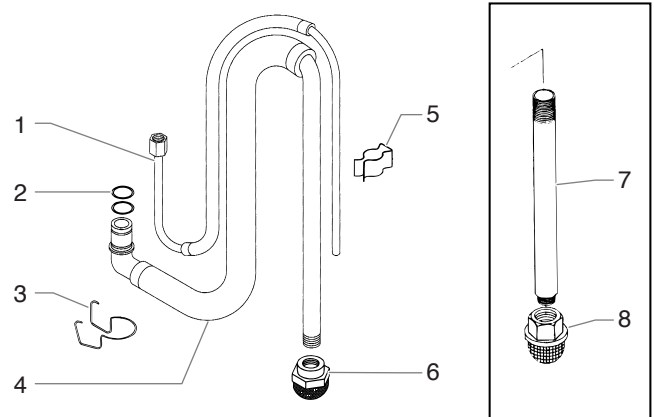
22. Slide the assembled pump housing with the piston assembly onto the connecting rod and secure with the screws (7). Be certain that the outlet hole is facing towards the pump motor.

NOTE: Packing does not need to be adjusted.

23. Reattach the hose (see the "Filter Block Assembly" parts list) to the fitting. Be sure that polyethylene gasket (5) is in place.
24. Reattach the foot valve assembly (24).
26. Reattach the return tube and the siphon assembly.

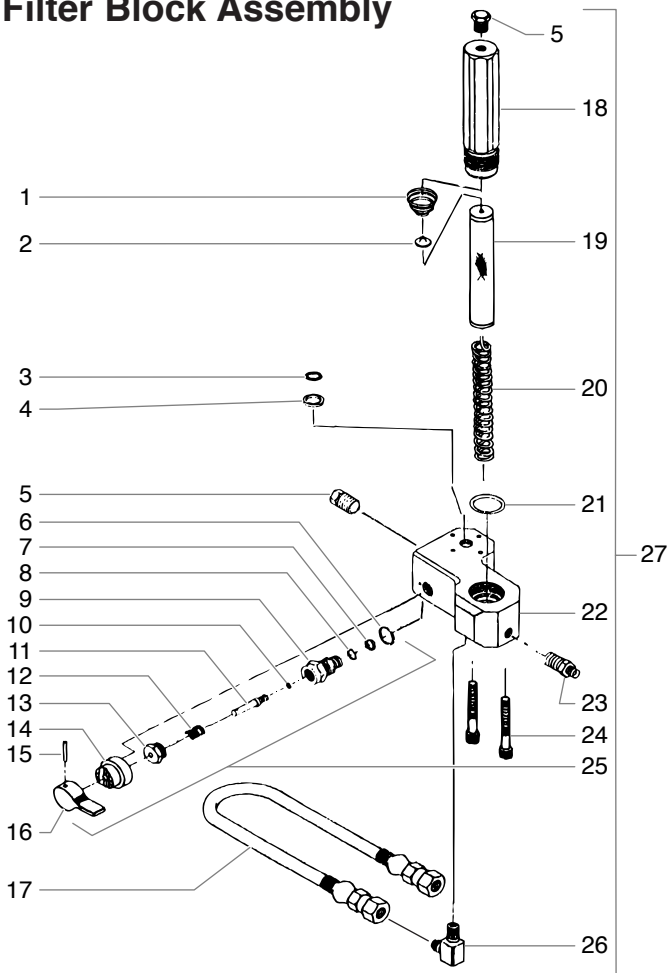
NOTE: Repacking Kit P/N 730-401 is available. For best results use all parts supplied in this kit.

Siphon Assembly (P/N 700-1025)



Item	Part #	Description	Quantity
1	700-847	Return tube	1
2	704-121	O-ring (standard)	2
	704-109	O-ring, solvent-resistant (optional) ..	2
3	704-127	Retaining clip	1
	704-129	Retaining ring (alternate, included in literature set)	
4	700-1023	Siphon hose (includes items 2, 3, and 6	1
5	755-135	Clip	1
6	700-805	Intake screen	1
For high rider only:			
7	710-018	Siphon down tube	1
8	710-046	Inlet screen, 10 mesh	1
	710-191	Inlet screen, 30 mesh (optional)	

Filter Block Assembly



Item	Part #	Description	Quantity
1	730-083	Filter spring	1
2	702-251	Adapter	1
3	700-881	Gasket	1
4	761-057	O-ring	1
5	227-027	Plug	2
6	700-537	Gasket	1
7	221-012	O-ring	1
8	222-012	Back-up ring	1
9	700-246	PRIME/SPRAY valve housing (includes items 7 and 8)	1
10	700-721	O-ring	1
	700-897	O-ring, PTFE (optional)	
11	700-250	PRIME/SPRAY valve stem	1
12	700-244	Spring	1
13	700-248	PRIME/SPRAY valve retainer	1
14	700-252	Cam base	1
15	700-759	Dowel pin	1
16	700-697	PRIME/SPRAY valve handle	1
17	316-516	Hose	1
18	702-011	Filter housing	1
19	730-067	Filter	1
20	757-105	Filter support spring	1
21	702-303	O-ring	1
22	702-009	Filter block housing	1
23	570-008	1/4" nipple	1
24	730-262	Socket head screw	2
25	700-258	PRIME/SPRAY valve assembly	1
26	490-106	Elbow	1
27	702-305	Filter housing assembly (excludes items 3, 4, 17, and 24)	1
	700-890	O-ring tool (not shown)	1

NOTE: When using "HOT" solvents, replace o-ring item #10 with optional PTFE o-ring P/N 700-897. Install using the o-ring tool P/N 700-890.

⚠ WARNING

Before proceeding, follow the "Pressure Relief Procedure" in the Operation section of this manual. Additionally, follow all other warnings to reduce the risk of an injection injury, injury from moving parts or electric shock. Always unplug the sprayer before servicing!

Servicing/Replacing the PRIME/SPRAY Valve

1. Remove the dowel pin (15) from the PRIME/SPRAY valve handle (16). Push out the dowel pin as shown.
2. Remove the PRIME/SPRAY valve handle (16) and the cam base (14).
3. Using a wrench, loosen the PRIME/SPRAY valve housing (9) and unscrew. Inspect the o-ring (7) and the back-up ring (8).
4. Unscrew the PRIME/SPRAY valve retainer (13) and remove the PRIME/SPRAY valve stem (11).
5. Inspect the ball on the end of the PRIME/SPRAY valve stem (11) and seat, located in the PRIME/SPRAY valve housing (9). Clean or replace if damaged. Inspect the o-ring (10).
6. When reinstalling, screw completed assembly into the filter block housing (22) except for the cam base (14), dowel pin (15), and PRIME/SPRAY valve handle (16). Tighten securely with wrench. Make sure that both washers are in place.
7. Install the cam base (14) over the PRIME/SPRAY valve retainer (13), lubricate with grease. Line up the cam base with the filter block housing (22).
8. Using the dowel pin (15), line up the PRIME/SPRAY valve stem (11) with the hole on the PRIME/SPRAY valve handle (16). Secure the PRIME/SPRAY valve handle with the dowel pin.

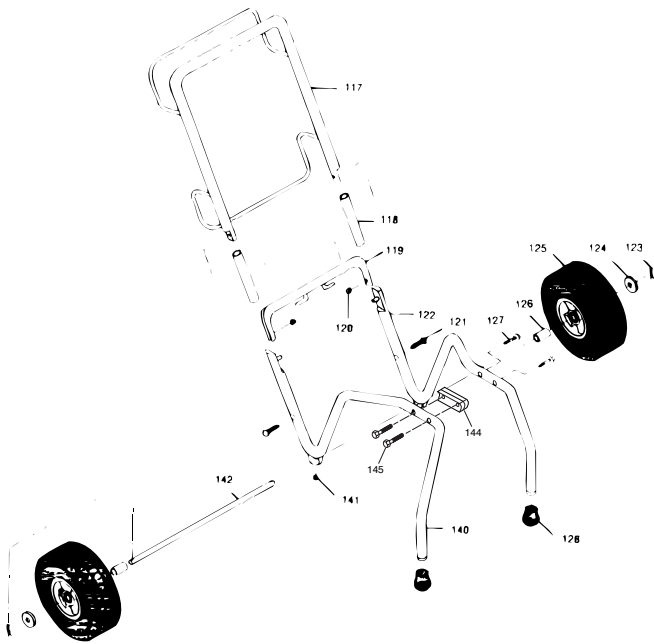
NOTE: If the PRIME/SPRAY valve handle (227) rotates 360°, check the pin on the Cam base (225).

Replacing the Pump Filter

1. Unscrew the filter housing (18).
2. Remove the filter (19) and filter support spring (20) from the filter block housing (22).
3. Inspect the o-ring (21). Clean or replace.
4. Place the filter support spring (20) and the new or cleaned filter (19) into the filter housing (18).
5. Reattach the filter housing (18).

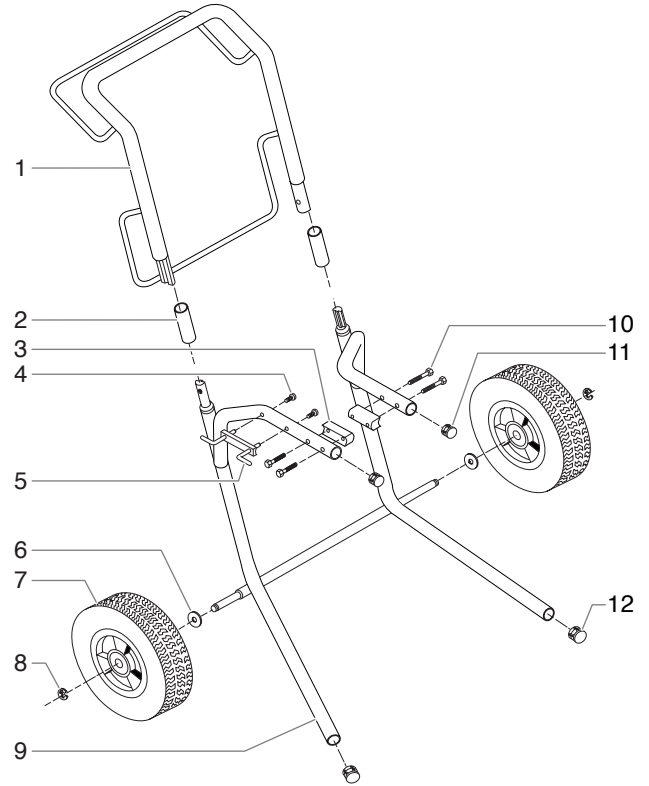
Low Rider Frame Assembly (P/N 702-060)

Item	Part #	Description	Quantity
117	702-057	Handle	1
118	730-101	Hinge Lock.....	2
119	702-116	Rear Cross Member	1
120	700-802	Cap Nut.....	2
121	700-801	1/4" Carriage Bolt	2
122	702-127	Main Frame Right.....	1
123	710-045	Pin Axle.....	2
124	710-058	Washer Axle.....	2
125	702-048	Wheel.....	2
126	702-087	Spacer	2
127	700-652	Bolt.....	2
128	710-047	Rubber Boot.....	2
140	702-126	Main Frame Left	1
141	710-051	Set Screw	2
142	702-061	Axle	1
144	765-128	Spacer	2
145	702-465	Screw	2

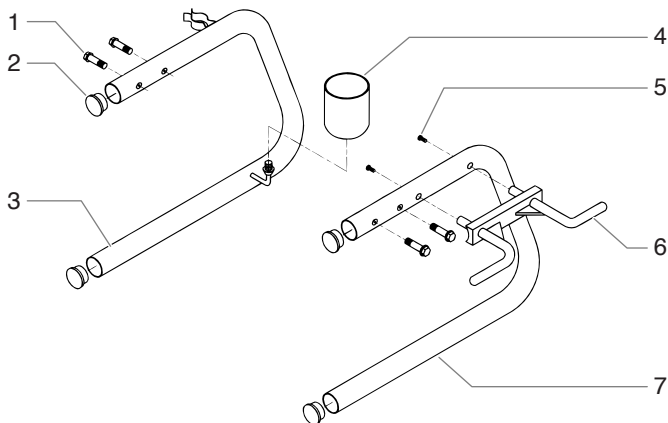


High Rider Frame Assembly (P/N 702-125)

Item	Part #	Description	Quantity
1	702-121	Handle	1
2	710-020	Hinge Lock.....	2
3	765-128	Spacer	2
4	700-069	Screw.....	2
5	700-761	Cord Holder	1
6	710-058	Axle Washer	2
7	702-044	10" Wheel	2
8	710-194	Snap Ring.....	2
9	702-141	Main Frame (includes items 11 & 12) .	2
10	766-017	Bolt	4
11	700-674	Plug, Brace	2
12	710-199	Plug, Leg	2



Skid Assembly



Item	Part #	Description	Quantity
1	765-126	Screw	4
2	700-674	End cap.....	4
3	704-092	Leg, left (includes items 2 and 4)	1
4	700-781	Drip cup	1
5	700-069	Screw.....	2
6	700-761	Cord wrap	1
7	704-091	Leg, right (includes items 2, 5, and 6)	1

Warranty

Titan Tool, Inc., ("Titan") warrants that at the time of delivery to the original purchaser for use ("End User"), the equipment covered by this warranty is free from defects in material and workmanship. Titan's obligation under this warranty is limited to replacing or repairing without charge those parts which, to Titan's reasonable satisfaction, are shown to be defective within twelve (12) months with the exception of defects in the parts of the drive train/gear box or pressure control assembly which will be repaired or replaced for twenty four months after sale to the End User. This warranty applies only when the unit is installed and operated in accordance with the recommendations and instructions of Titan.

This warranty does not apply in the case of damage or wear caused by abrasion, corrosion or misuse, negligence, accident, faulty installation, substitution of non-Titan component parts, or tampering with the unit in a manner to impair normal operation.

Defective parts are to be returned to an authorized Titan sales/service outlet. All transportation charges, including return to the factory, if necessary, are to be borne and prepaid by the End User. Repaired or replaced equipment will be returned to the End User transportation prepaid.

THERE IS NO OTHER EXPRESS WARRANTY. TITAN HEREBY DISCLAIMS ANY AND ALL IMPLIED WARRANTIES INCLUDING, BUT NOT LIMITED TO, THOSE OF MERCHANTABILITY AND FITNESS FOR A PARTICULAR PURPOSE, TO THE EXTENT PERMITTED BY LAW. THE DURATION OF ANY IMPLIED WARRANTIES WHICH CANNOT BE DISCLAIMED IS LIMITED TO THE TIME PERIOD SPECIFIED IN THE EXPRESS WARRANTY. IN NO CASE SHALL TITAN LIABILITY EXCEED THE AMOUNT OF THE PURCHASE PRICE. LIABILITY FOR CONSEQUENTIAL, INCIDENTAL OR SPECIAL DAMAGES UNDER ANY AND ALL WARRANTIES IS EXCLUDED TO THE EXTENT PERMITTED BY LAW.

TITAN MAKES NO WARRANTY AND DISCLAIMS ALL IMPLIED WARRANTIES OF MERCHANTABILITY AND FITNESS FOR A PARTICULAR PURPOSE WITH RESPECT TO ACCESSORIES, EQUIPMENT, MATERIALS OR COMPONENTS SOLD BUT NOT MANUFACTURED BY TITAN. THOSE ITEMS SOLD, BUT NOT MANUFACTURED BY TITAN (SUCH AS GAS ENGINES, SWITCHES, HOSES, ETC.) ARE SUBJECT TO THE WARRANTY, IF ANY, OF THEIR MANUFACTURER. TITAN WILL PROVIDE THE PURCHASER WITH REASONABLE ASSISTANCE IN MAKING ANY CLAIM FOR BREACH OF THESE WARRANTIES.

Patents

These products may be covered by one or more of the following U.S. patents:

4,457,472	4,508,268	4,494,697	4,500,119	4,611,758	4,744,571	4,768,929
5,425,506	5,749,528	5,947,381				



United States Sales & Service

1-800-526-5362
Fax 1-800-528-4826

556 Commerce Street
Franklin Lakes, NJ 07417

Canadian Branch

1-800-565-8665
Fax 1-905-856-8496

200 Trowers Road, Unit 7B
Woodbridge, L4L 5Z8

International

1-201-405-7520
Fax 1-201-405-7449

556 Commerce Street
Franklin Lakes, NJ 07417 USA

www.titan-tools.com