

Description

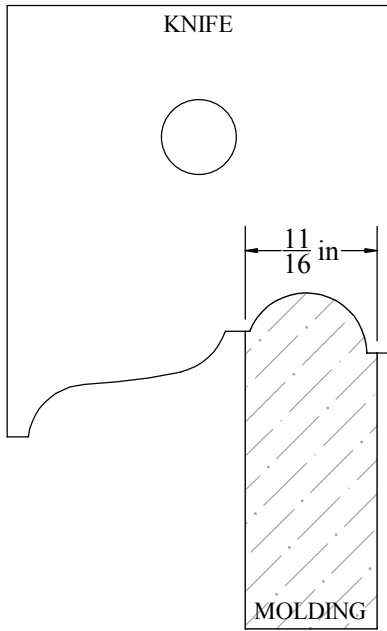
PICTURE Mold, 11/16" X 1-3/4"

W&H Item #

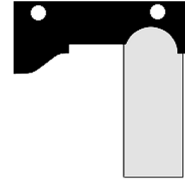
3402

Printing may distort actual profile measurement. Print in "Actual Size", outer border should measure 8" x 10-1/2"

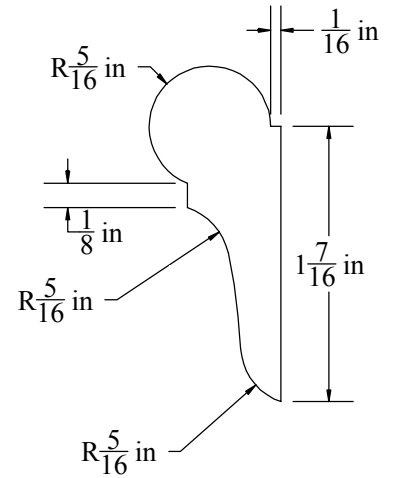
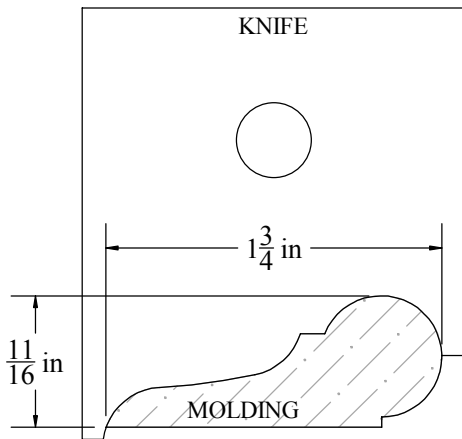
Some picture molds require an undercut, as seen in Step 1. Use taller guides to support the stock to ensure that you can support the piece properly, without trying to balance the stock on the small flat. Run the face of the mold as seen in Step 2 to complete your molding. This way, even with the undercut, the stock has a large flat on the bottom for support while molding.



Step 1

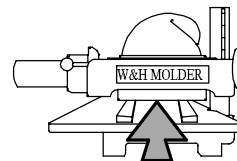


Step 2



**WILLIAMS & HUSSEY  
MACHINE CO**  
105 State Route 101A, Unit 4  
Amherst, NH 03031

800-258-1380 or 603-732-0219  
Fax 603-732-4048  
www.williamsnhussey.com  
customerservice@williamsnhussey.com



**KNIFE ORIENTATION  
SHOWN FROM  
THE INFED SIDE  
OF MOLDER**