

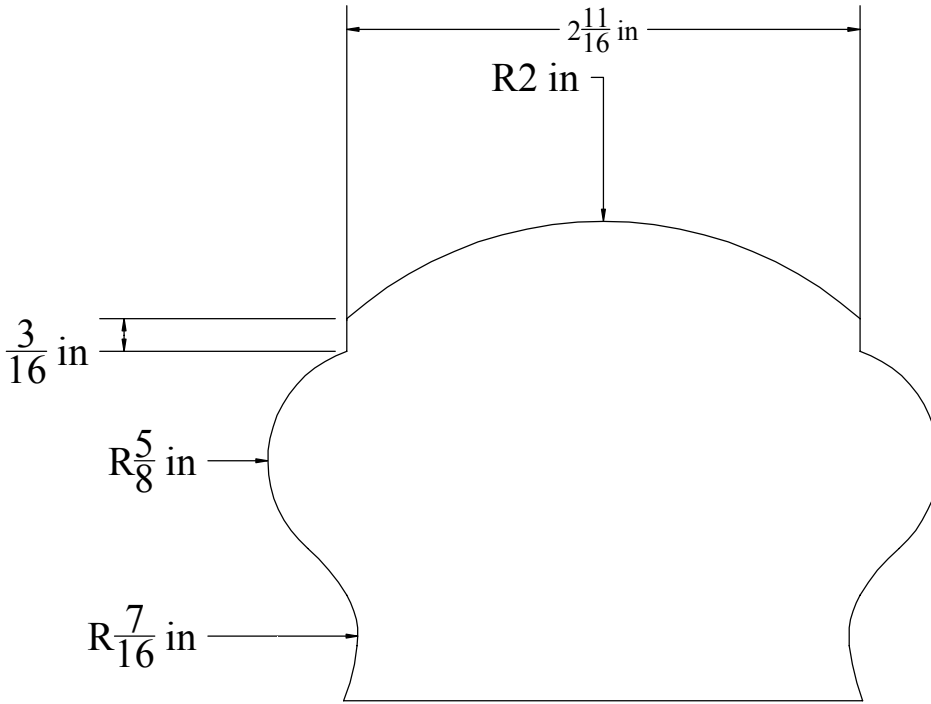
Description

Hand Rail, Top, 2"

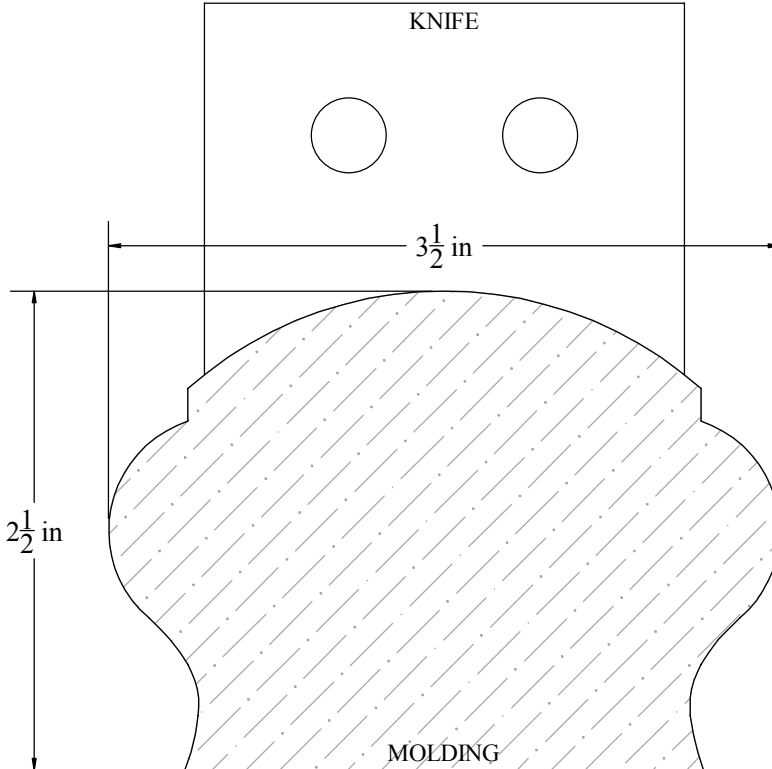
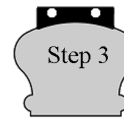
W&H Item #

3205-T

Printing may distort actual profile measurement. Print in "Actual Size", outer border should measure 8" x 10-1/2"

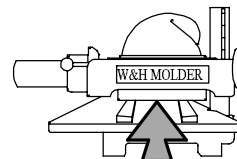


When molding handrails, multiple steps are required. Once you have milled the first side, it may be necessary to add shims to balance the stock when flipping to mill the other side. Supporting the stock will eliminate chatter for a better finish. The third step is to rotate upright and blend the top. Top cutters are designed to blend sides and create top radius.



**WILLIAMS & HUSSEY  
MACHINE CO**  
105 State Route 101A, Unit 4  
Amherst, NH 03031

800-258-1380 or 603-732-0219  
Fax 603-732-4048  
www.williamsnhussey.com  
customerservice@williamsnhussey.com



**KNIFE ORIENTATION  
SHOWN FROM  
THE INFED SIDE  
OF MOLDER**