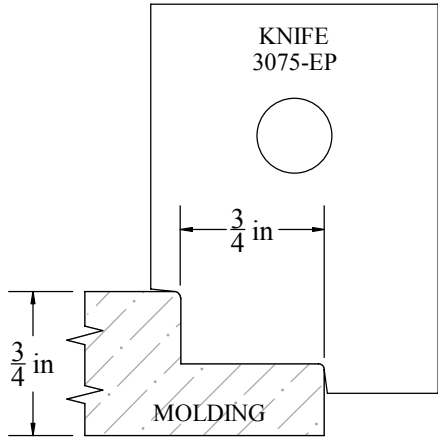
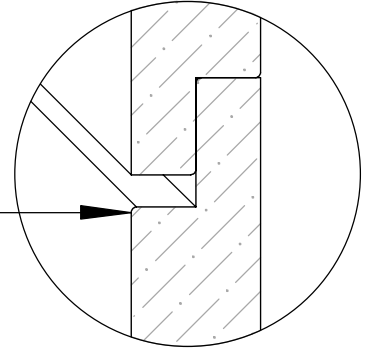


Description	NICKEL Gap, Bottom, 3/4" x 9/16" End Profile	W&H Item #	3076-EP
-------------	---	------------	---------

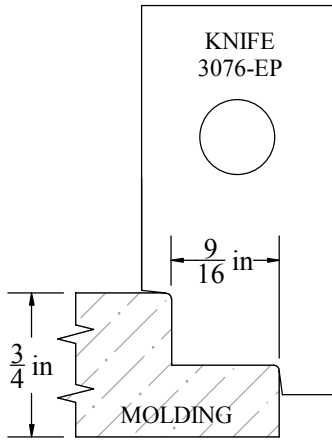
Printing may distort actual profile measurement. Print in "Actual Size", outer border should measure 8" x 10-1/2"



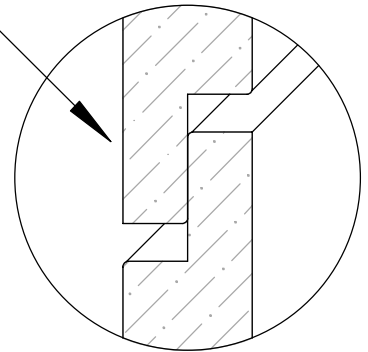
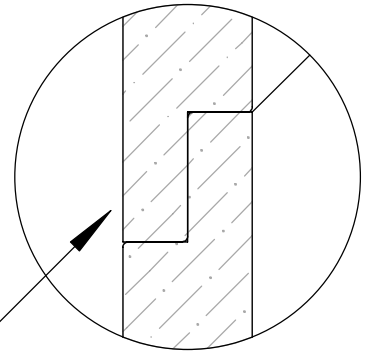
Use 3075-EP & 3076-EP together to achieve consistent 3/16" gap every time



Nickel Gap OR Shiplap

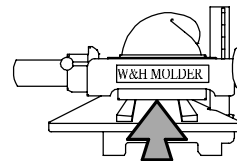


Use 3075-EP for reversible Shiplap No Gap or Choose Your Reveal (up to 1/2")



**WILLIAMS & HUSSEY
MACHINE CO**
105 State Route 101A, Unit 4
Amherst, NH 03031

800-258-1380 or 603-732-0219
Fax 603-732-4048
www.williamsnhussey.com
customerservice@williamsnhussey.com



**KNIFE ORIENTATION
SHOWN FROM
THE INFED SIDE
OF MOLDER**