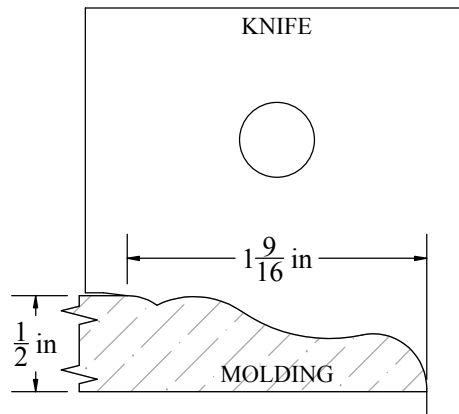
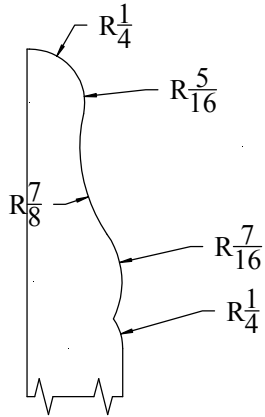


Description	Speed Base, 1/2" x 1-9/16" End Profile	W&H Item #	2200-EP REV A
-------------	---	------------	---------------

Printing may distort actual profile measurement. Print in "Actual Size", outer border should measure 8" x 10-1/2"



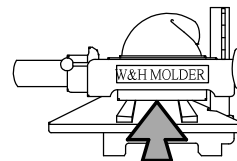
End Profile / Center Profile Advantage!

W&H End Profile (EP) and Center Profile (CP) knives are designed to cut stock on various width boards, eliminating knife line marks



**WILLIAMS & HUSSEY  
MACHINE CO**  
105 State Route 101A, Unit 4  
Amherst, NH 03031

800-258-1380 or 603-732-0219  
Fax 603-732-4048  
www.williamsnhussey.com  
customerservice@williamsnhussey.com



**KNIFE ORIENTATION  
SHOWN FROM  
THE INFED SIDE  
OF MOLDER**