

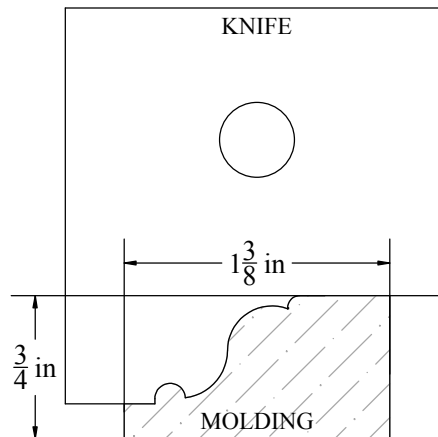
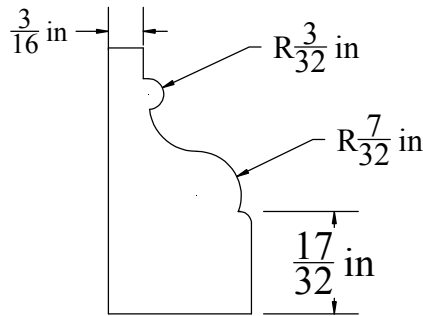
Description

Base Cap, 3/4" x 1-3/8"

W&H Item #

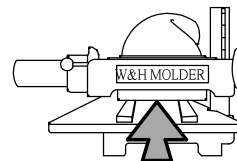
2108

Printing may distort actual profile measurement. Print in "Actual Size", outer border should measure 8" x 10-1/2"



**WILLIAMS & HUSSEY
MACHINE CO**
105 State Route 101A, Unit 4
Amherst, NH 03031

800-258-1380 or 603-732-0219
Fax 603-732-4048
www.williamsnhussey.com
customerservice@williamsnhussey.com



**KNIFE ORIENTATION
SHOWN FROM
THE INFEED SIDE
OF MOLDER**