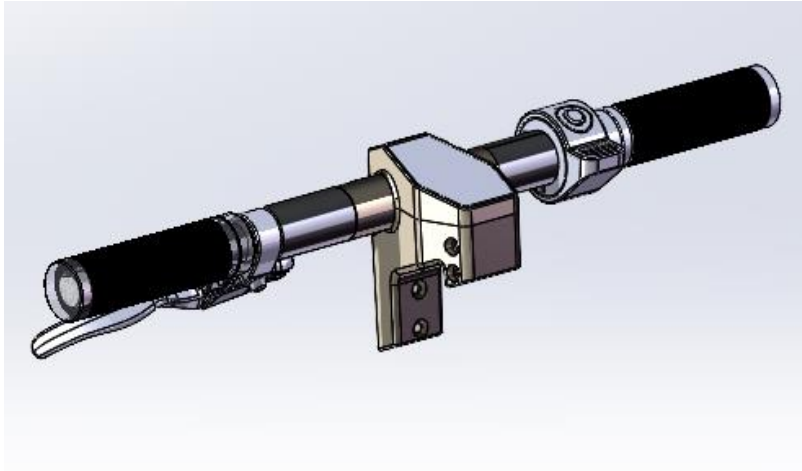
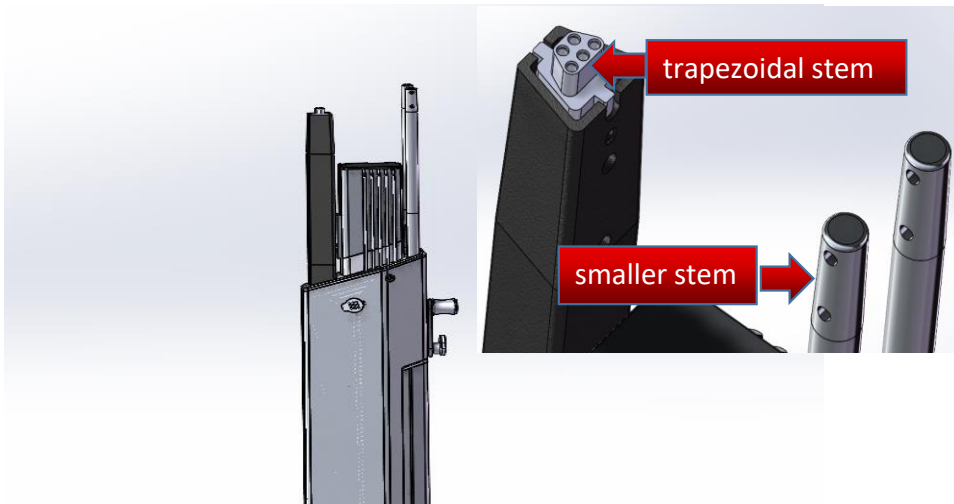


The Assembly of the V8's Scooter Head



1. Align the scooter head with the smaller stem.
2. Align the scooter head with the trapezoidal stem.



After connecting the scooter head with the trapezoidal stem, give the display a gentle tap before turning the scooter on. Then align the screw hole and tighten the screws

Gently tap the display

