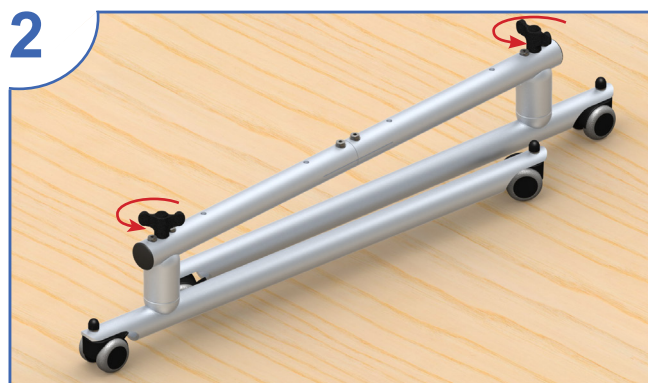
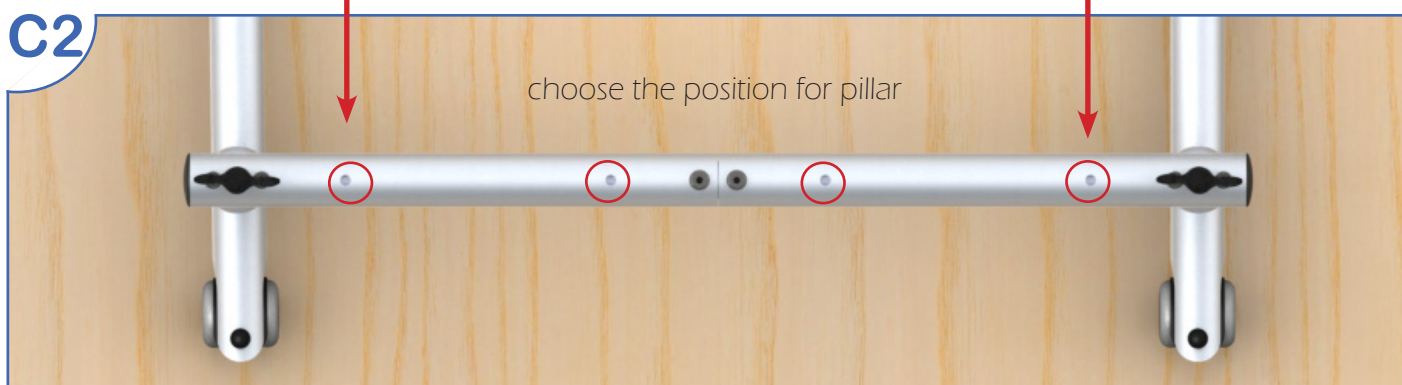


Floorstand Sit Back Quickpack (FS-SB-QP) Assembly Instruction

Model Number: 17.1062

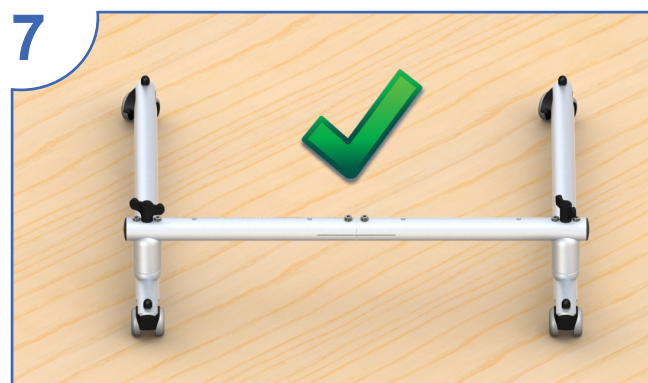
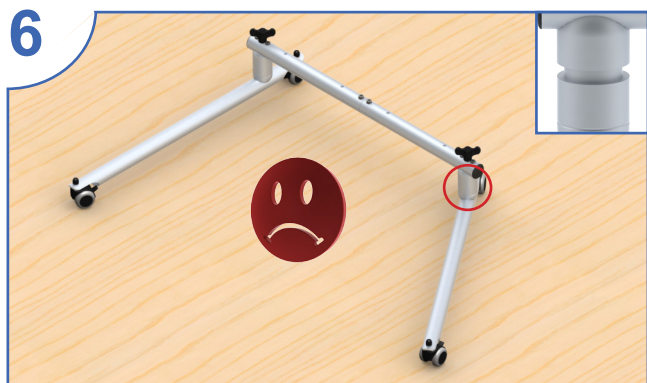
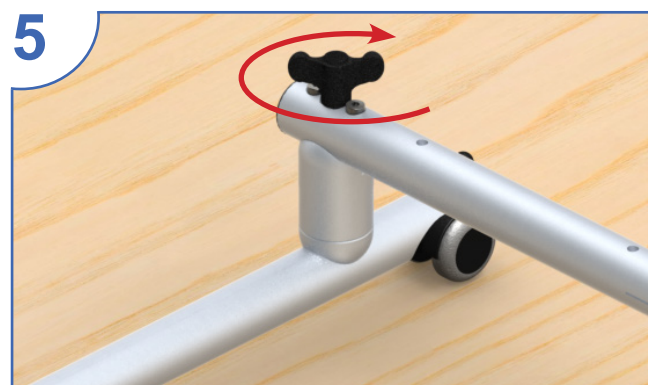
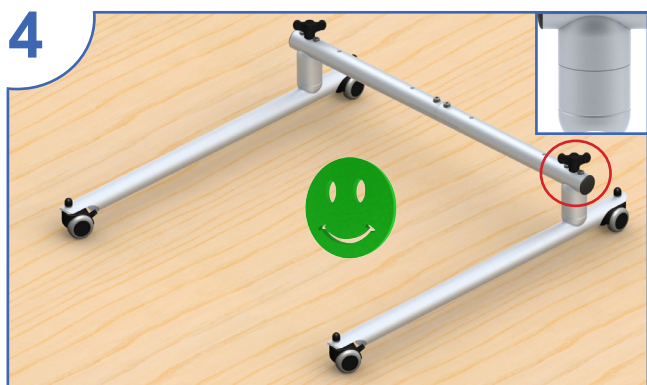
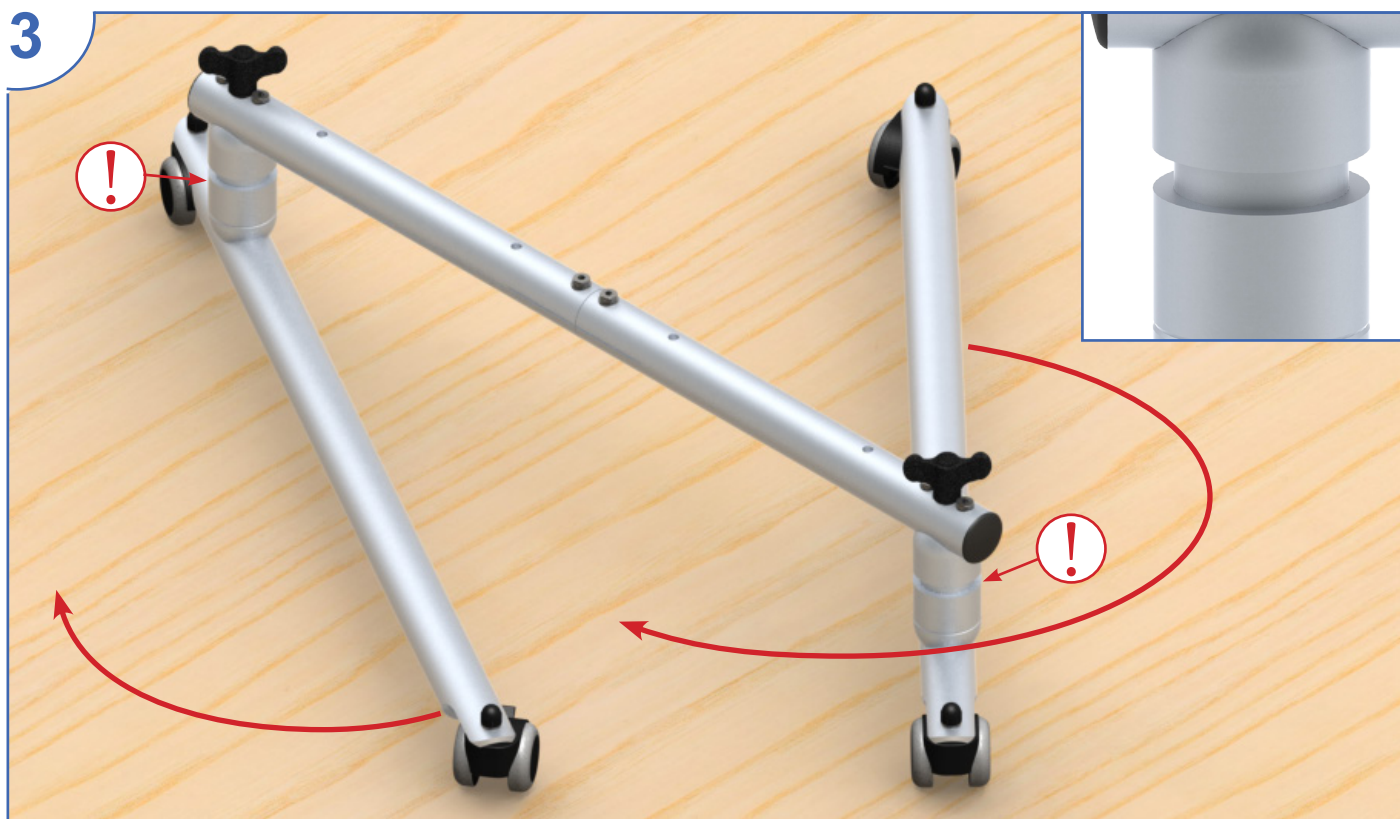
page 1 of 6



Floorstand Sit Back Quickpack (FS-SB-QP) Assembly Instruction

Model Number: 17.1062

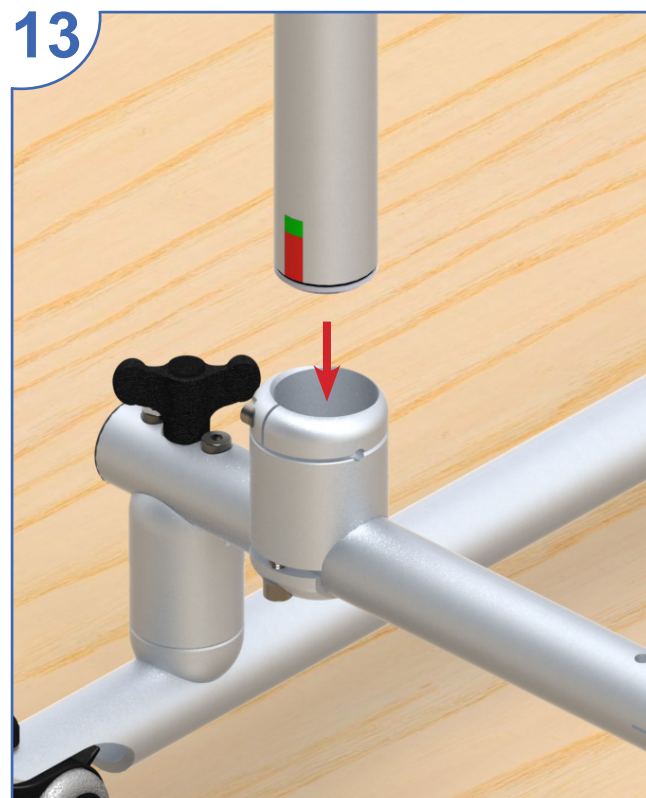
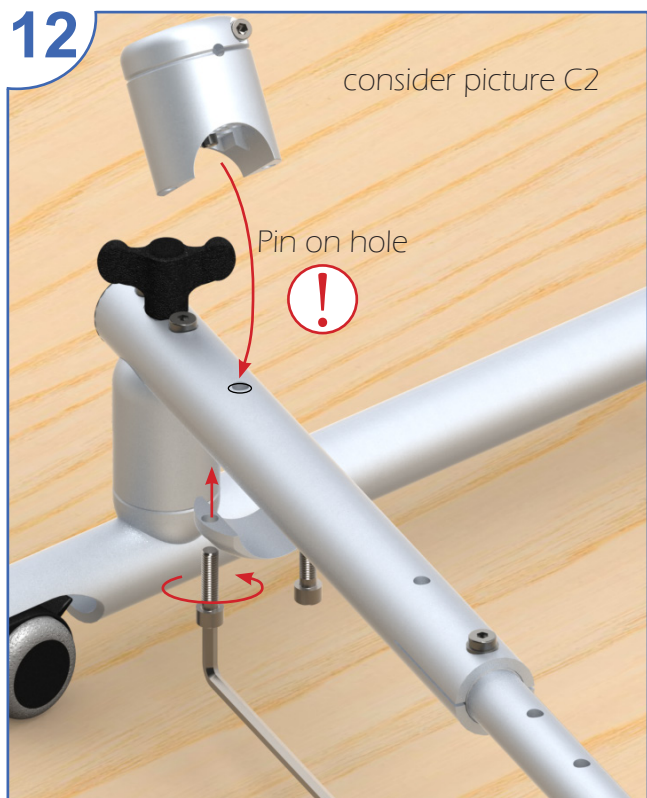
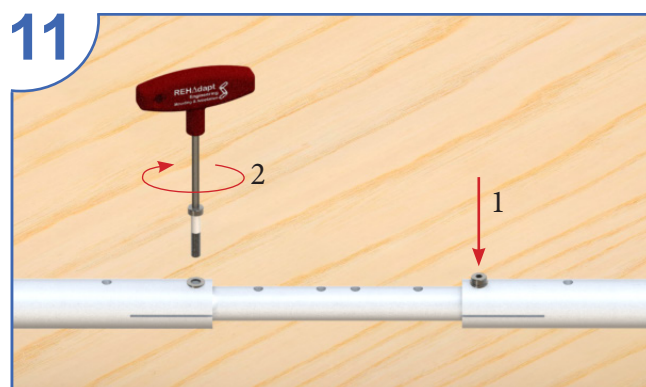
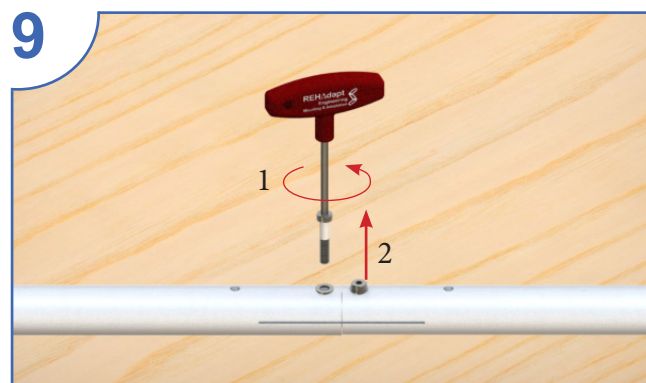
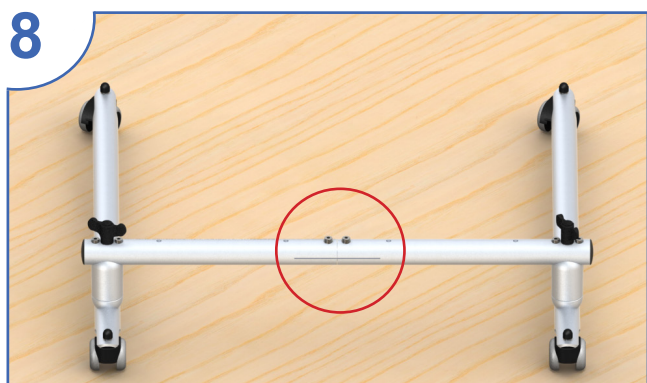
page 2 of 6



Floorstand Sit Back Quickpack (FS-SB-QP) Assembly Instruction

Model Number: 17.1062

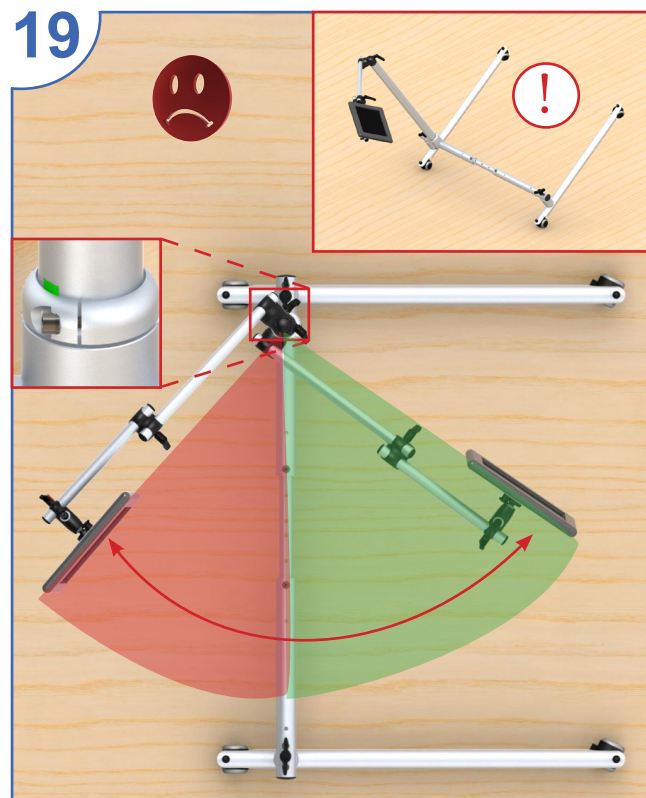
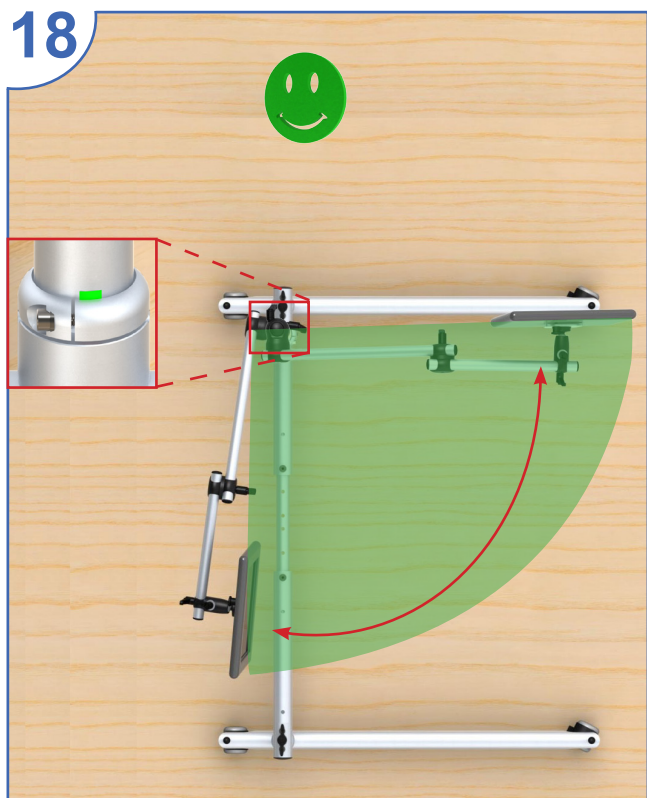
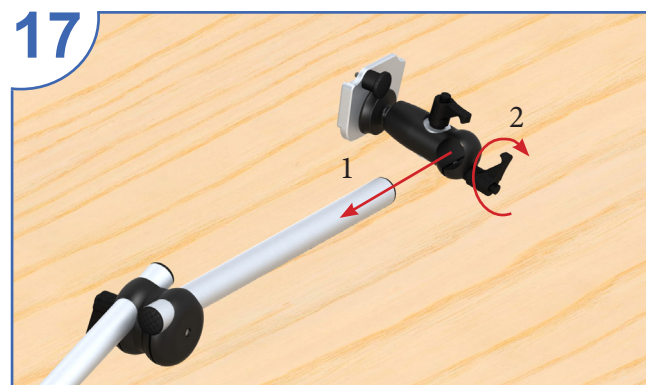
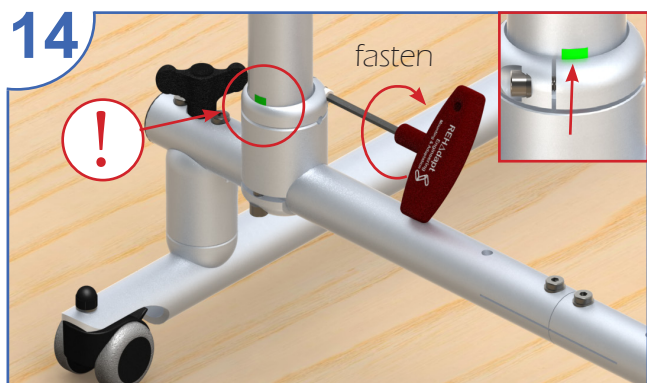
page 3 of 6



Floorstand Sit Back Quickpack (FS-SB-QP) Assembly Instruction

Model Number: 17.1062

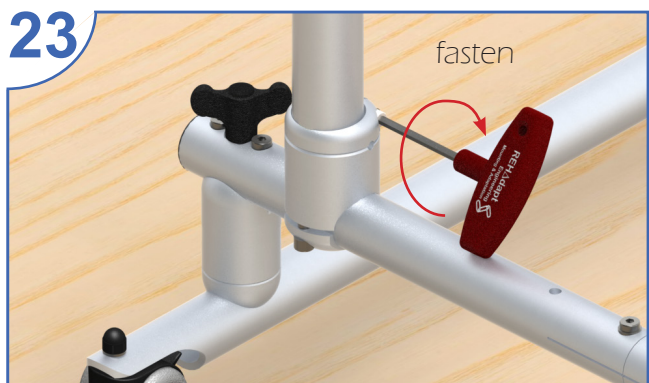
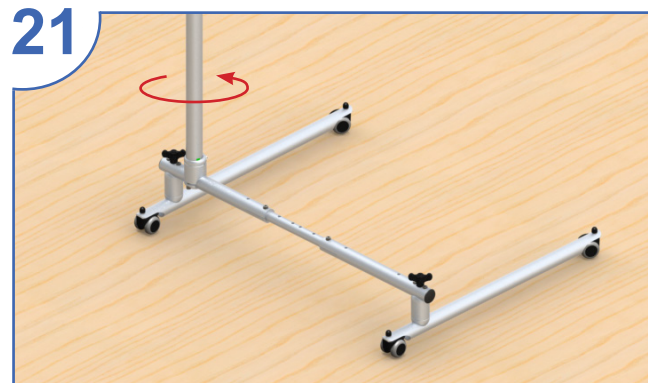
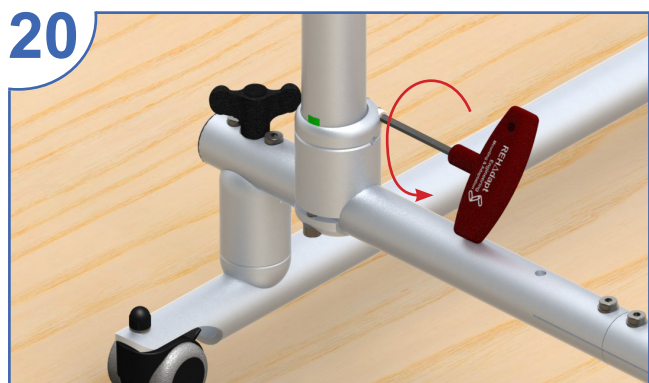
page 4 of 6



Floorstand Sit Back Quickpack (FS-SB-QP) Assembly Instruction

Model Number: 17.1062

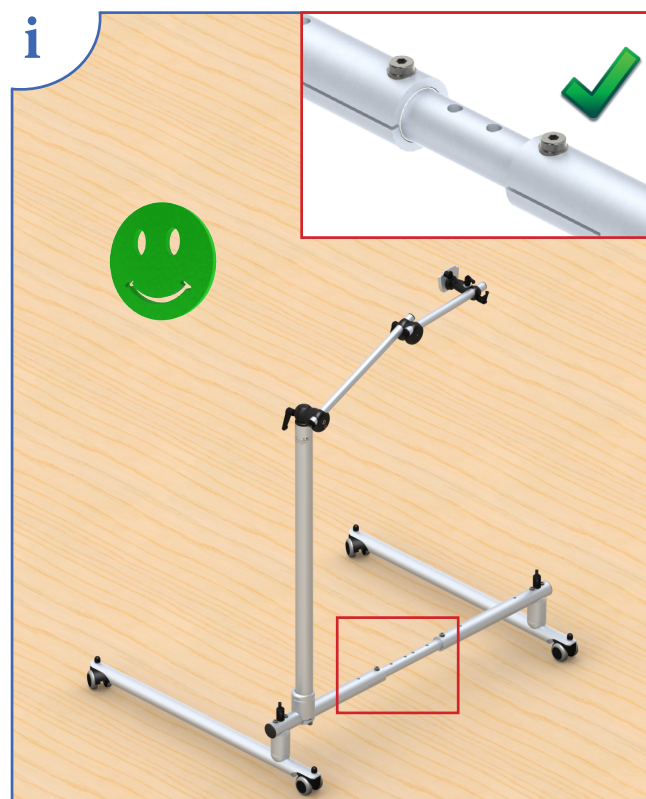
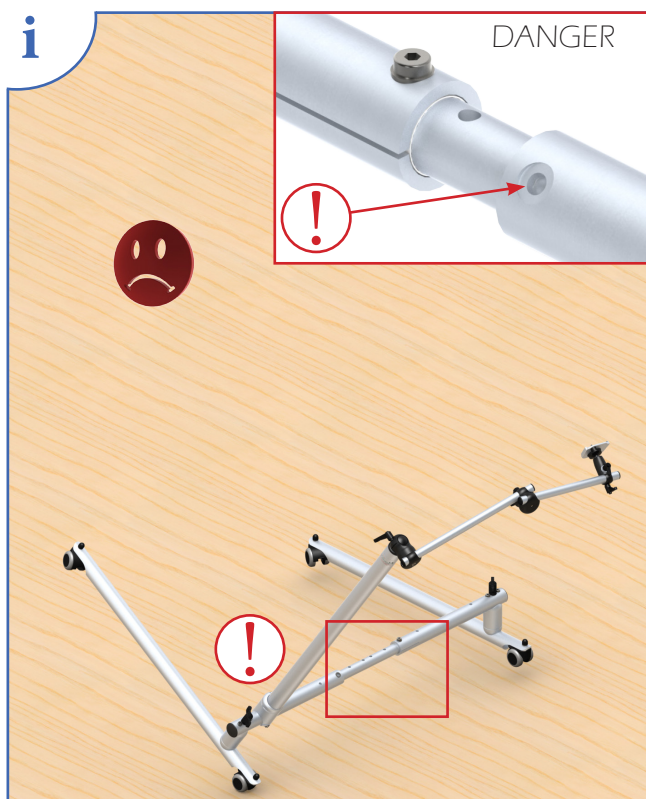
page 5 of 6



Floorstand Sit Back Quickpack (FS-SB-QP) Assembly Instruction

Model Number: 17.1062

page 6 of 6



ACHTUNG!

BETÄTIGUNG/
VERSTELLUNG JEGLICHER
GELENKE NUR MIT
ABGENOMMENEM GERÄT!

BITTE GERÄT VORHER
ABNEHMEN!



ATTENTION!

DO NOT ADJUST/OPERATE
ANY HINGE WITH DEVICE
MOUNTED!

TAKE OFF DEVICE BEFORE
ADJUSTING, PLEASE!