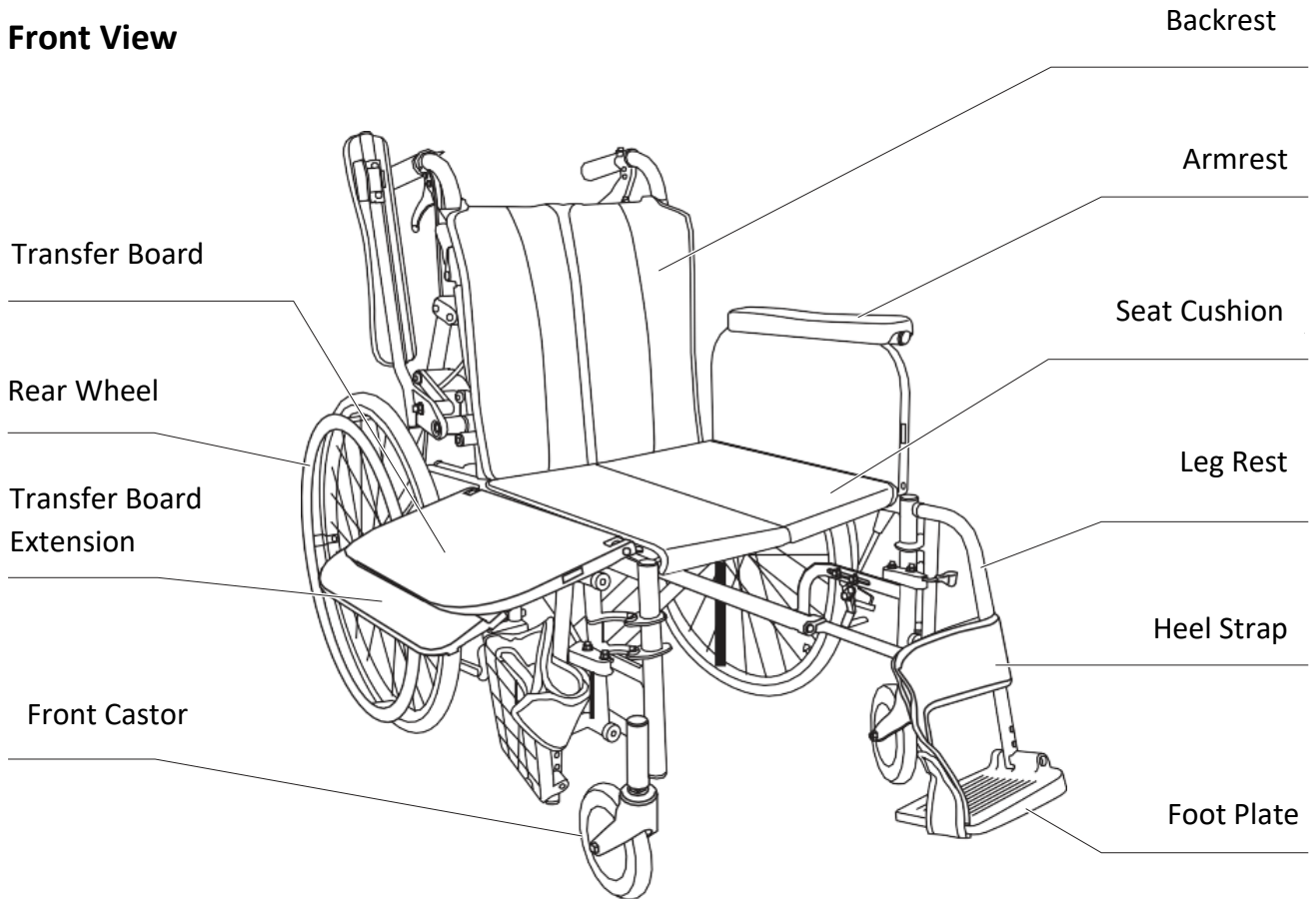
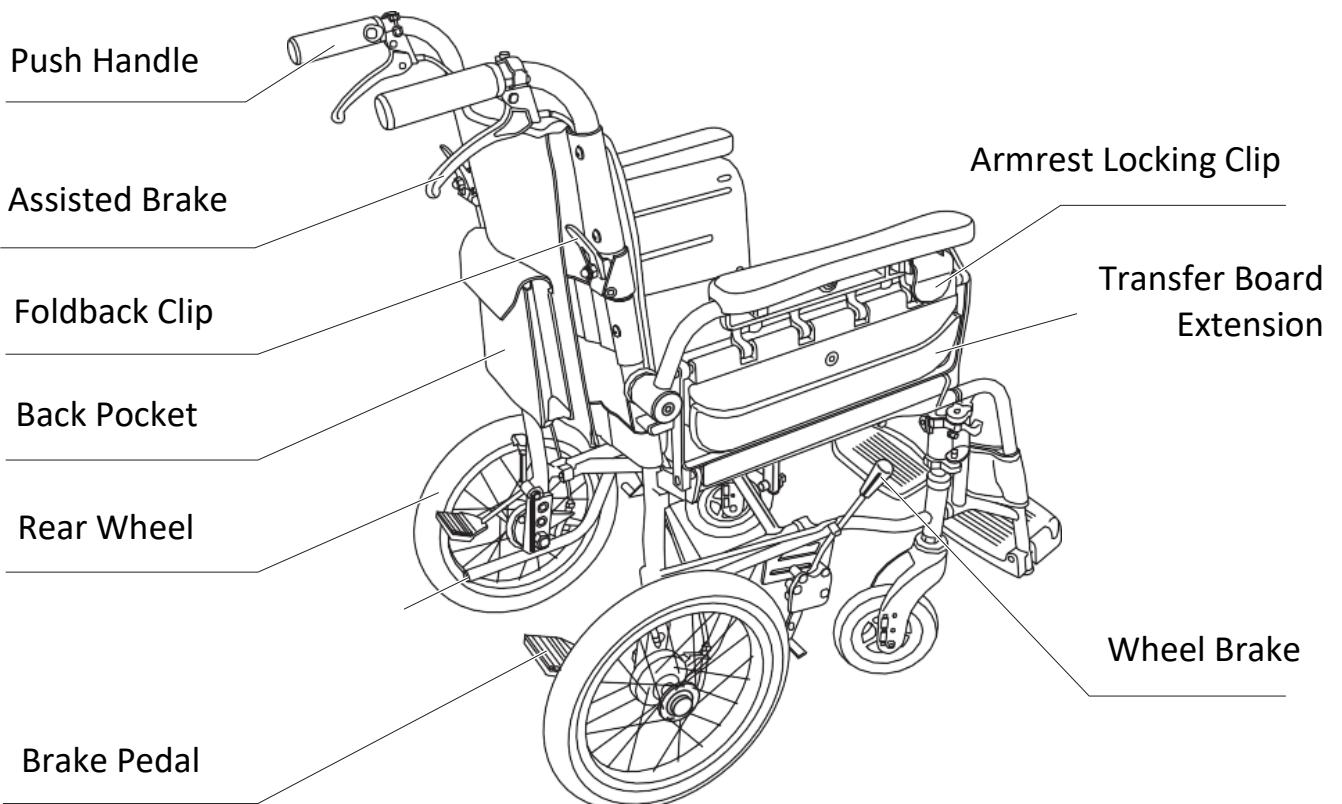


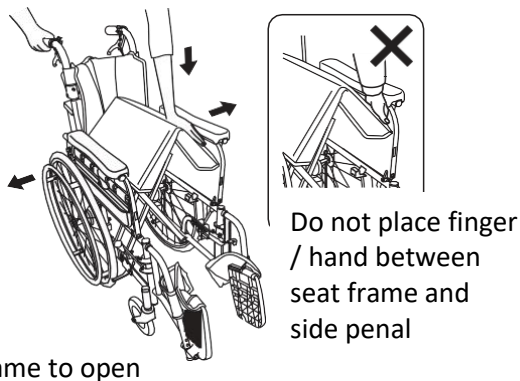
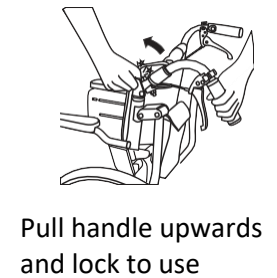
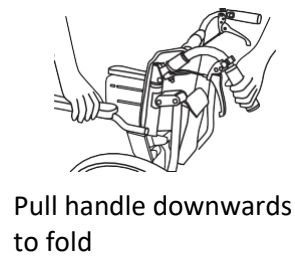
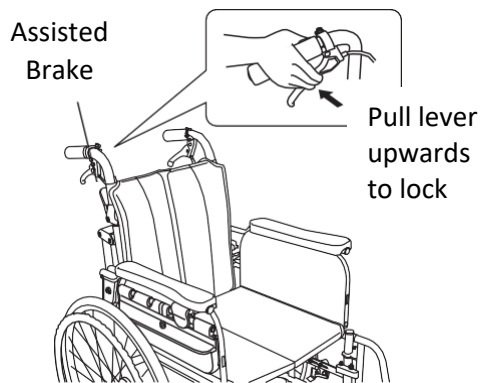
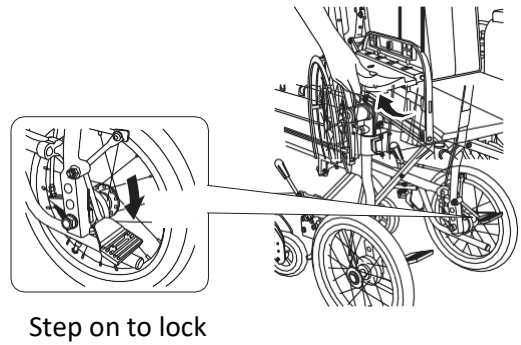
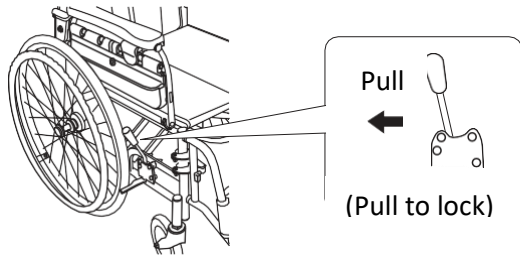
Front View



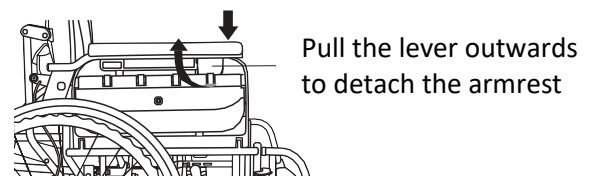
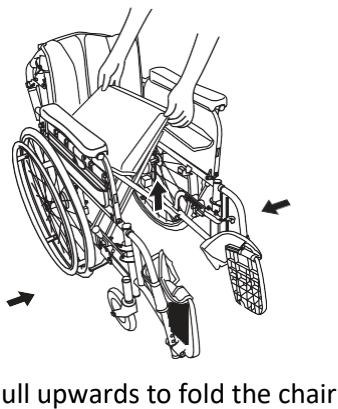
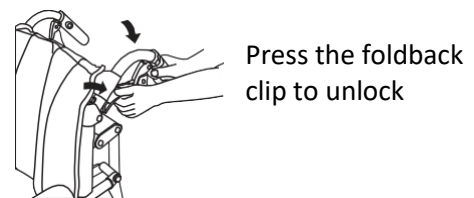
Rear View

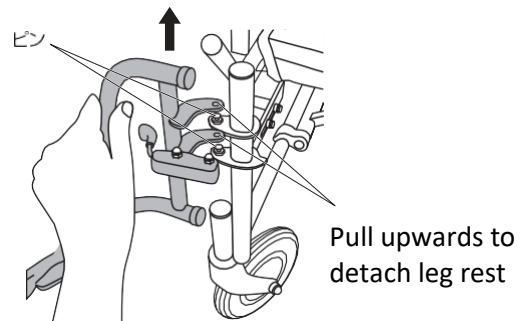
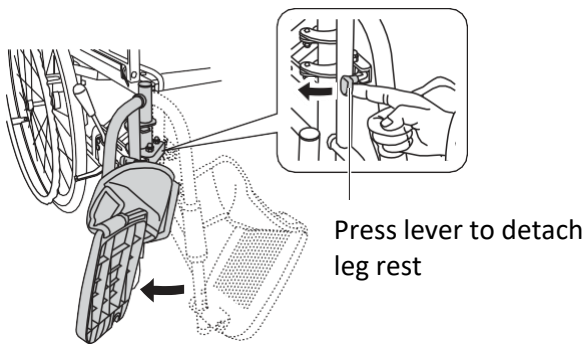
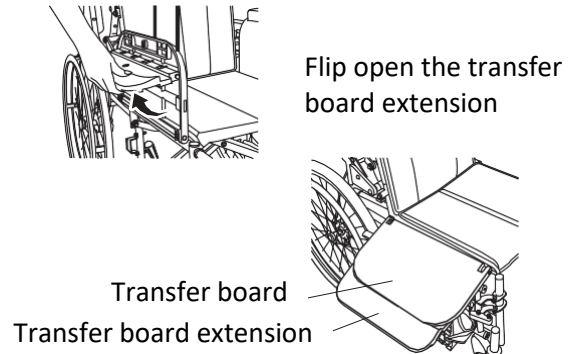
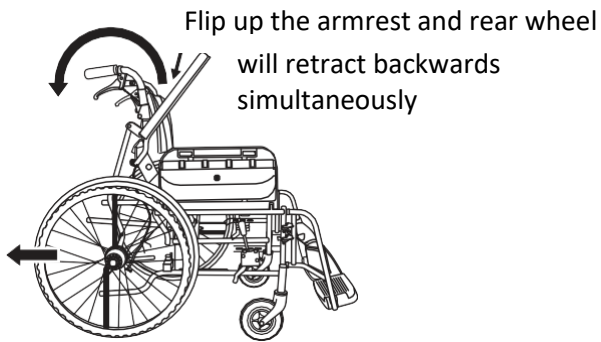


How to Operate:



Press seat frame to open

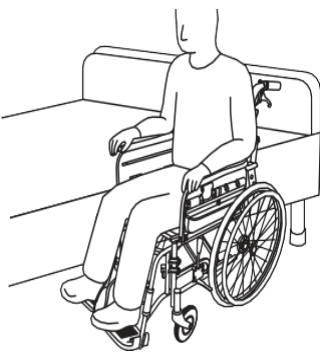




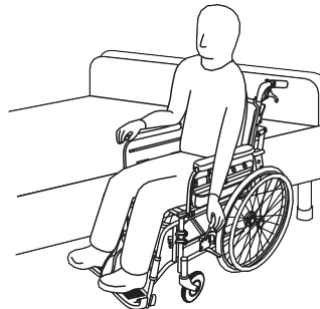
Leg rest swing outwards

How to Transfer:

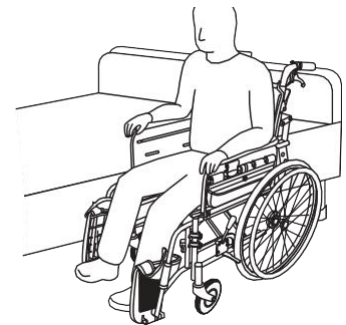
1. Position transfer chair parallel to the bed



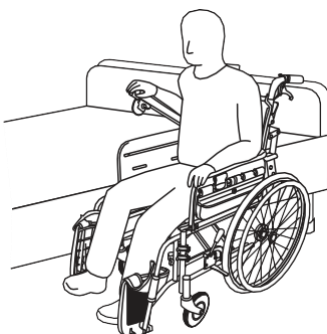
2. Lock the transfer chair



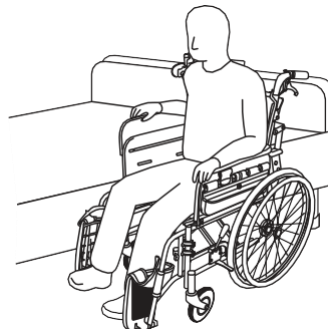
3. Flip up the footplate



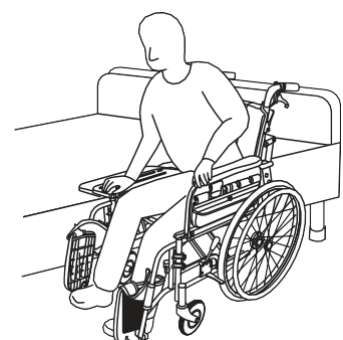
4. Unlock the armrest lever and flip upwards



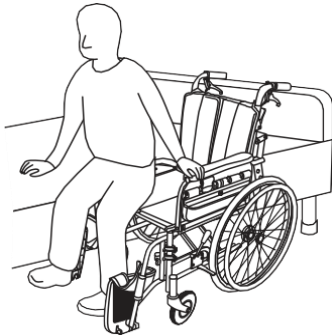
5. Extend the transfer board and lay on the bed



6. User is ready to transfer to the bed



7. User slide through the transfer board to the bed



Miki Transfer Pushchair Specifications

Model:

30-2/1900/16

30-2/1900/18

Seat Width:	16" / 18" (40cm / 46cm)	Seat Depth:	16" (40cm)
Front Seat Height:	18.5" (47cm)	Rear Seat Height:	17.5" (44.5cm)
Back Height:	16" (40cm)	Seat to Armrest Height:	8" (20.3cm)
Front Wheel:	6" (15.2cm)	Rear Wheel:	14" x 1.5" (35.5cm x 3.8cm)
Overall Depth:	32" (81.3cm)	Overall Height:	34.5" (87.6cm)
Overall Width (Without transfer board):	19.5" / 21.5" (49.5cm / 54.6cm)	Overall Width (With transfer board):	One side opened: 28" / 30" (71cm / 76.2cm)
Transfer Board Dimension (WxD):	10.5" x 15.5" (26.6cm x 39.4cm)	Weight:	16.8kg
Weight Capacity:	100kg	Country of Origin:	Japan
Warranty:	1 year on frame		

Miki Transfer Wheelchair Specifications

Model:

35-2/1950/16

35-2/1950/18

Seat Width:	16" / 18" (40cm / 46cm)	Seat Depth:	16" (40cm)
Front Seat Height:	18.5" (47cm)	Rear Seat Height:	17.5" (44.5cm)
Back Height:	16" (40cm)	Seat to Armrest Height:	8.5" (21.6cm)
Front Wheel:	6" (15.2cm)	Rear Wheel:	22" x 1" (55.9cm x 2.5cm)
Overall Depth:	36" (91.4cm) Fully extended: 45" (114.3cm)	Overall Height:	36" (91.4cm)
Overall Width (Without transfer board):	24.5" / 26.5" (62.2cm / 67.3cm)	Overall Width (With transfer board):	One side opened: 31.5" / 33.5" (80cm / 85.1cm)
Transfer Board Dimension (WxD):	10.5" x 15.5" (26.6cm x 39.4cm)	Weight:	20.8kg
Weight Capacity:	100kg	Country of Origin:	Japan
Warranty:	1 year on frame		