

Hospital chair Assembly Instruction

JBS282-DL

- 1、 Take the backrest, tray unit, and chair out from the carton.
- 2、 Align the backrest tubing to the frame (A direction) and push in. Tighten the knob which in the bottom of seat rest when the backrest is on appropriate position. The backrest assembly is completed. (Figure 1)

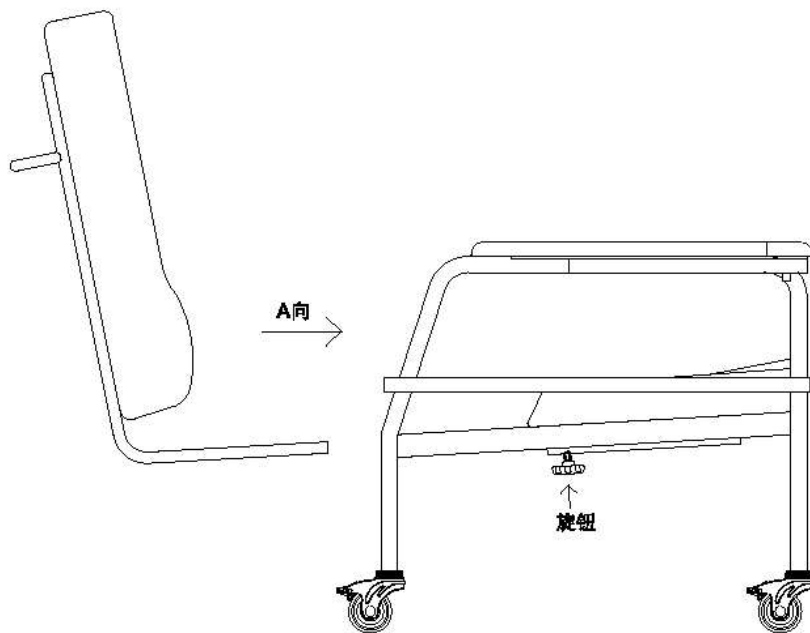


Figure 1

- 3、 Put the two side tubes of tray into the frame, pull down the tray knob, and release the tray knob until tray is on proper position. (Figure 2)

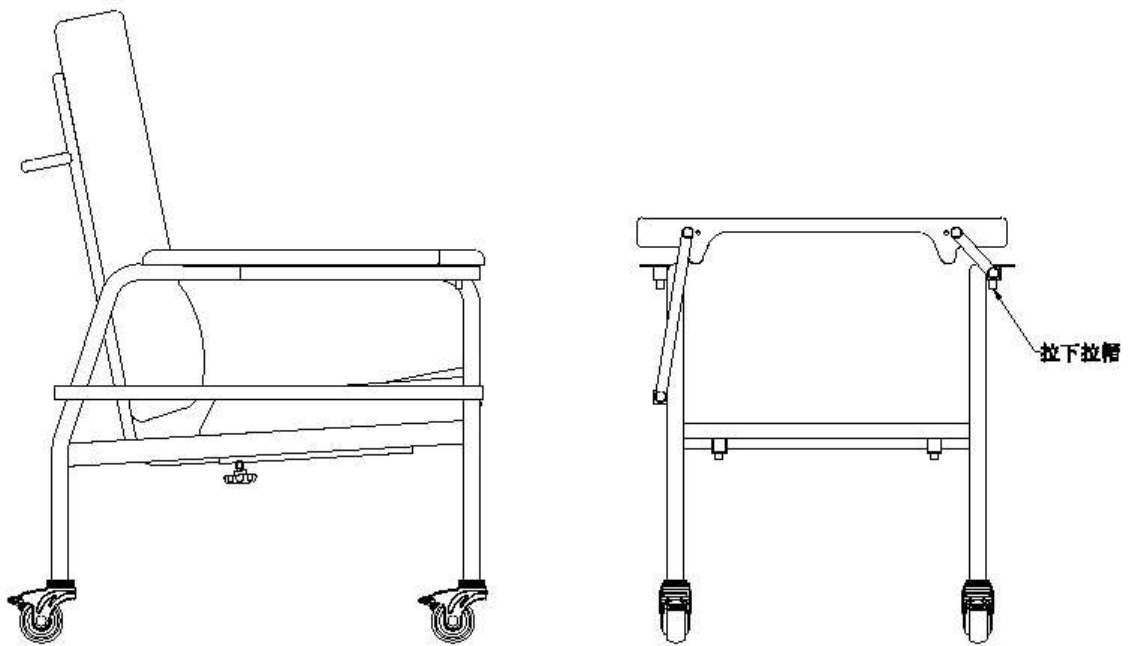


Figure 2

4、 When the tray needs to remove, pull down the tray knob A and rotate the tray to another side. Align corresponding hole to tray tubes, meanwhile, pull down tray knob B and push in the tray until last hole position and release tray knob B.

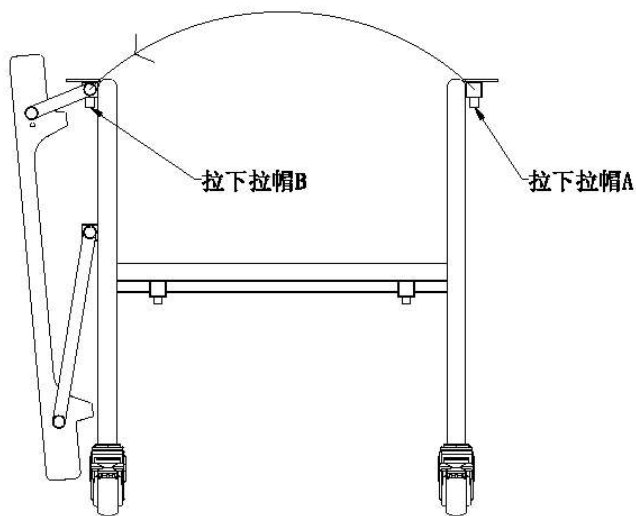


Figure 3

5、 Maintenance and cleaning:

a. Keep the chair surface clean when unused, and lock the casters.

Please put it in a ventilating area and cover it with a plastic bag when not use the chair for long time storage.

b. Unlock the caster brake before moving the chair, remember to lock the caster when it positioned.

c. Don't put heavy article or sit on the armrests.

For upholstery maintenance and stain removal, the following

hints will be helpful :

1. Ordinary dirt: Wipe with warm water and a mild soap or detergent.
 2. Stubborn dirt: Using a soft bristle brush, follow directions above.
 3. Ground-in dirt: Scrub with powdered cleanser or similar detergent.
 4. Chewing gum: Scrape carefully; remove with kerosene or naphtha.
 5. Tars, Asphalt, Creosote: Remove to prevent staining. Clean area with Kerosene or naphtha.
- Caution: When using kerosene or naphtha, do so in a well ventilated area and keep away from fire and flame.
6. Paint, shoe polish, heel marks: Remove immediately! Use a white cloth dampened in kerosene, naphtha or turpentine. Do not use paint remover or liquid brush cleaners.
 7. Ball point pen: Blot immediately with a white cloth dampened in water or mineral oil.
 8. Waxing and refinishing: Improver wearability. Use any quality paste wax.

A diluted solution of 10% (or less) of bleach or Clorox may be used when cleaning chair.