

BREATH HOLE

Standard breathing hole and plug provides excellent support and comfort for prone position.



HANDSET

For height adjustment



LOCKING SYSTEM

Fitted with retractable casters and central lock mechanism to ease product's mobility.



FOOT STABILITY

Adjustable foot mechanism for stability on uneven surfaces.

Model: 50/34219

Specifications

Construction: High quality steel sections, and sheet construction utilizing the latest manufacturing techniques

Coating: Epoxy powder coat finish

Dimension: L1970mm x W610mm x H500mm - 950mm

Head Section: -22° to 72° (gas spring mechanism)

Max Load: 200kg

Warranty: 12 months on frame and component against manufacturing defects. Wear and tear not included.

Origin: Germany

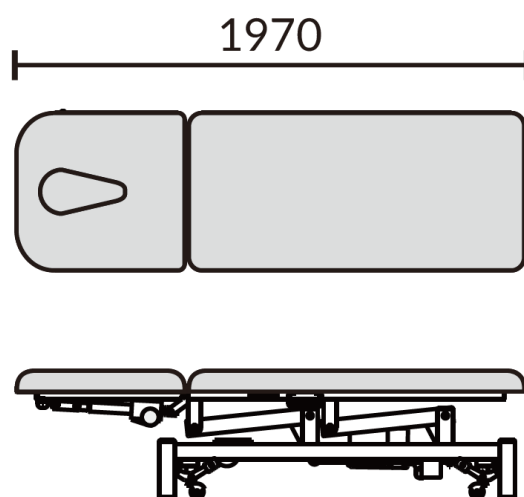
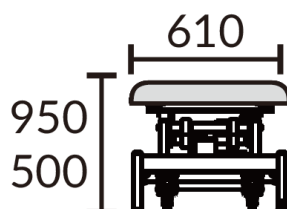
Optional Accessory



Side Rail



Paper Roll Holder



MDSS GmbH
Schiffgraben 41
30175 Hannover, Germany

