

# The MultiAdjust



An all round highly adjustable, adaptable, comfortable and cost effective posture care chair.

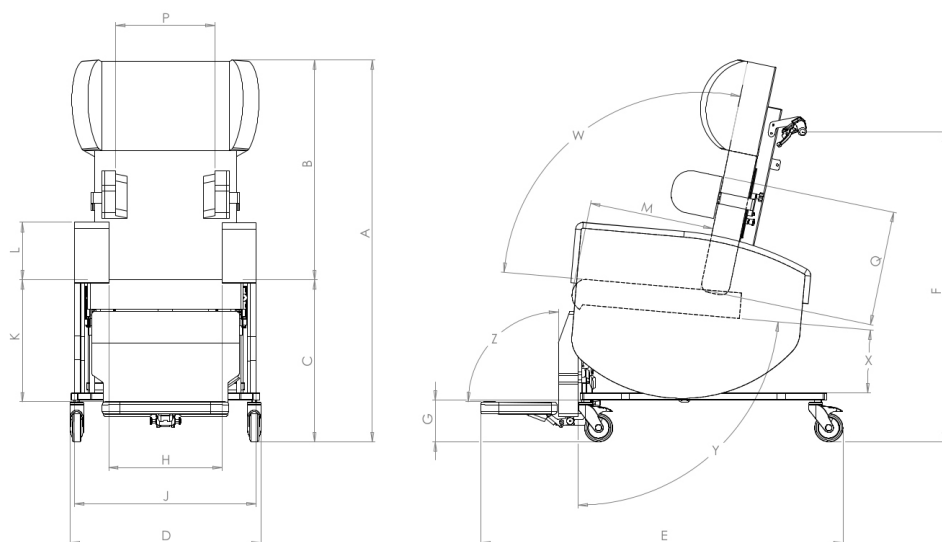


## MultiAdjust

# The MultiAdjust



The MultiAdjust is a cost effective, tool-free, highly adjustable seating system that provides postural support and pressure care without compromising the users comfort. The chair benefits from Tilt-in-Space, Back Angle Recline and lower limb support. The MultiAdjust is an ideal choice for multiple user environments, and for those who are semi-ambulant and non-ambulant. Its modular design, with interchangeable accessories, makes it a perfect fit for Community Loan Stores. It is suitable for a wide range of seating needs in most health and care environments. It provides high levels of comfort and the robust construction quality that you would associate with CareFlex. For peace of mind the MultiAdjust comes with a Lifetime Frame Warranty.



Basic Dimensions	
A: Overall Height	1350 mm (53")
B: Back Height	830 mm (32")
C: Seat Height	540 mm (21")
D: Castor Frame Width	675 mm (26")
E: Overall Length	1285 mm (50")
F: Push Bar Height	1125 mm (44")
G: Clearance Height	145 mm (6")
Maximum User Weight	160kg
Chair Weight	70kg (Manual) 73kg (Motorised)

(All measurements ±10mm / 5°)

Adjustments	
H: Seat Width (inner)	400 mm (16") to 550 mm (21") (150 mm range - 2 cushion sizes)
J: Max Width (outer)	790 mm (31")
K: Seat Base to Footplate Height	350 mm (14") to 500 mm (20") (150 mm range)
L: Arm Rest Height	200 mm (8") to 250 mm (10") (50 mm range)
M: Seat Depth	380 mm (15") to 530 mm (20") (150 mm range)"
P: Lateral Width (Laterals are Optional)	<b>Narrow:</b> 230 mm (9") to 360 mm (14") (130 mm range) <b>Regular:</b> 315 mm (12") to 435 mm (17") (120 mm range) <b>Wide:</b> 445 mm (18") to 575 mm (23") (130 mm range)
Q: Lateral Height	320 mm (12") to 520 mm (20") (200 mm range)
W: Back Angle Recline (BAR)	95° to 135° (40° range)
X: Tilt-in-Space (TIS) (Manual & Motorised)	<b>Factory Setting 1:</b> 0° to 35° (35° range) <b>Optional Setting 2:</b> -5° to 30° (35° range)
Y: Leg Rest Angle	<b>Factory Setting 1 (Manual &amp; Motorised):</b> 65° to 135° (70° range) <b>Optional Setting 2 (Manual):</b> 80° to 150° (70° range) <b>Optional Setting 2 (Motorised):</b> 80° to 187° (77° range)
Z: Footplate Angle	Four Positions - 75° / 90° / 105° / 120°

## STANDARD FEATURES

- Tilt-in-Space
- Back Angle Recline
- Elevating and Negative Angle Adjustable Leg Rest
- Flip Up & Angle Adjustable Footplate
- Integral Seat Depth Adjustment
- Integral Seat Width Adjustment
- Integral Arm Height Adjustment
- Removable Arms
- Pressure Redistributing Reflexion Foam Seat Cushion
- Reflexion Foam Flat Back
- Four Braked Castors
- Ash Grey Upholstery with Black Vapour Permeable Material to Contact Areas

Your local CareFlex Distributor:

**DNR Wheels Pte Ltd**

+65 6254 4070

[www.dnrwheels.com](http://www.dnrwheels.com)

[retail@dnrwheels.com](mailto:retail@dnrwheels.com)

