



FELIZ

Series

Wheelchair Seat Rizer

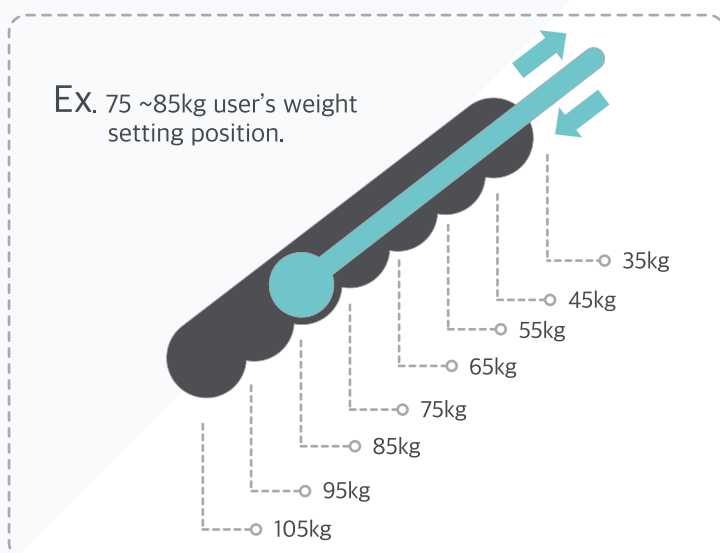
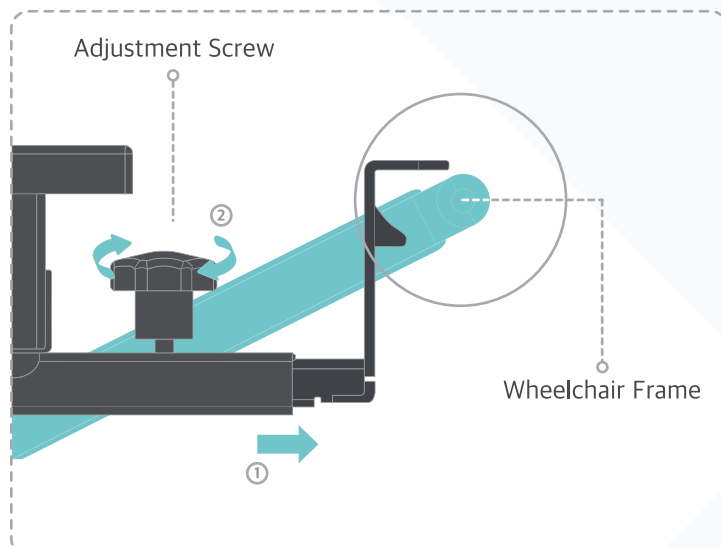
| Benefits

- 01 Reduces fatigue for caregivers when moving patients to or from wheelchair.
- 02 By adjusting the seat height of the wheelchair, it is possible to align the table.
- 03 Lessening stress on the knee joint.

FEATURES

* This product is compatible with widths of wheelchairs

- This product is compatible with wheelchairs with widths.
- Remove the fabric of the wheelchair seat and connect FELIZ to the frame.



* How to adjust standing assist force

- 7 step weight control.(35 ~ 105kg)
- Move the back of the seat slightly upwards to move the weight control lever to 105kg.
- You can lift the weight control ring to 35kg when you pull it by hand.

* Angle of seat fixing function

- The seat can be fixed from any angle. (Max angle : 20°)

MODEL	EW-JOC1	EW-JXC1	EW-KOC1	EW-KXC1	EW-UOC1	EW-UXC1
Width of Wheelchair(cm)	38~43		42~47		46~51	
Lever	O	X	O	X	O	X
Fixed angle of seat	O	X	O	X	O	X

SPECIFICATION

- Net Weight: 6.8kg
- Gross Weight: 8.5kg
- Box Size(W*H*D): 536 * 416 * 215mm
- Material: Steel, Aluminum