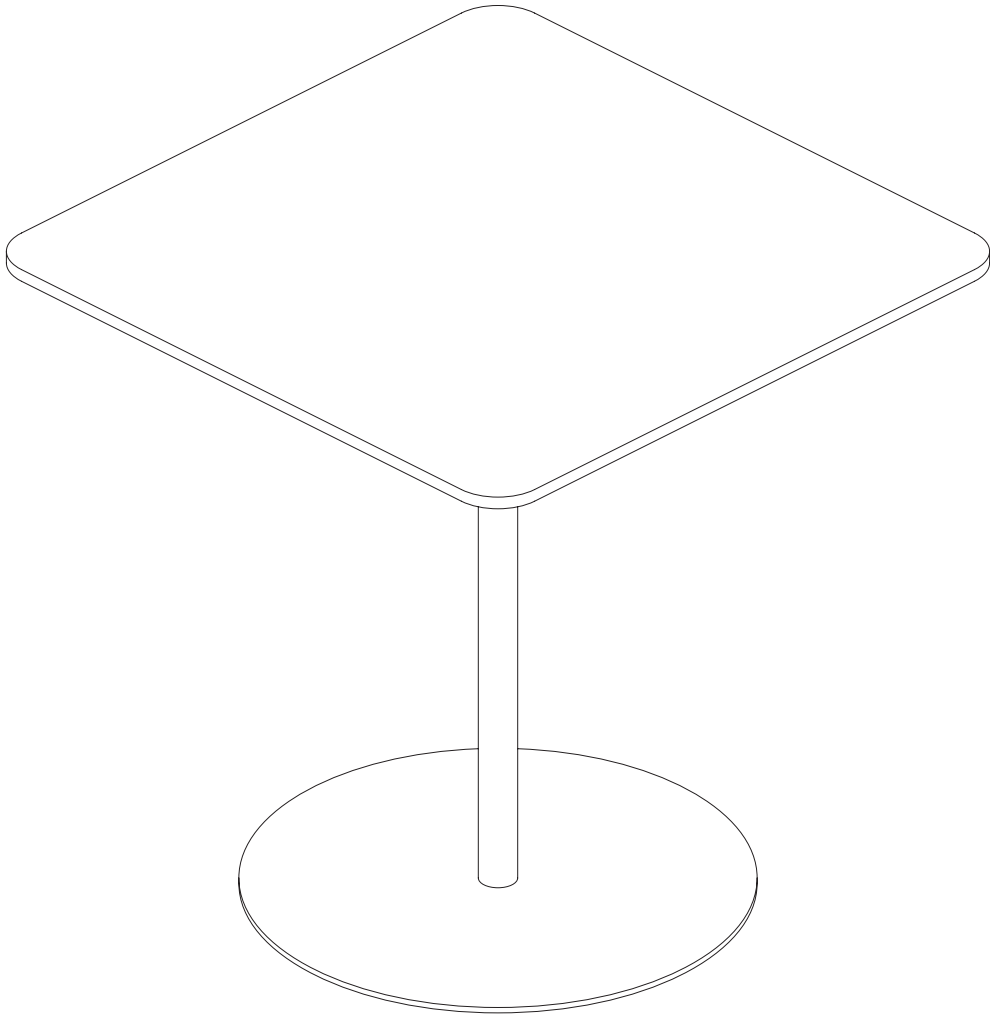


DesignByThem

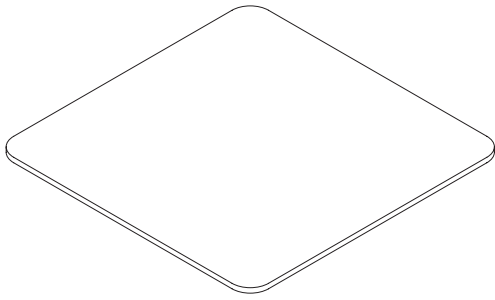


Assembly Manual

Piper Pedestal Table - Compact Laminate Top

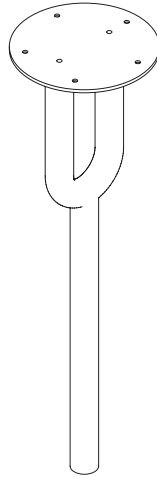
Design By Gibson Karlo

Included

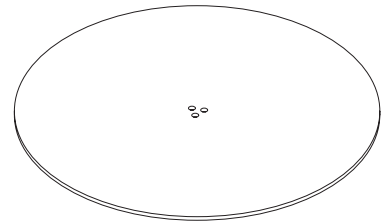


A Table Top (1)*

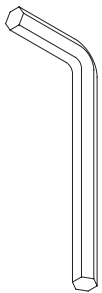
*Table top included separately



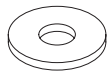
B U-Shaped Stem (1)



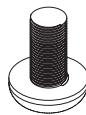
C Circular Base (1)



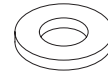
D Allen Key (1)



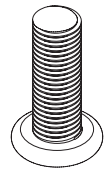
E M6 Washer (5)



F M6 Screw (5)



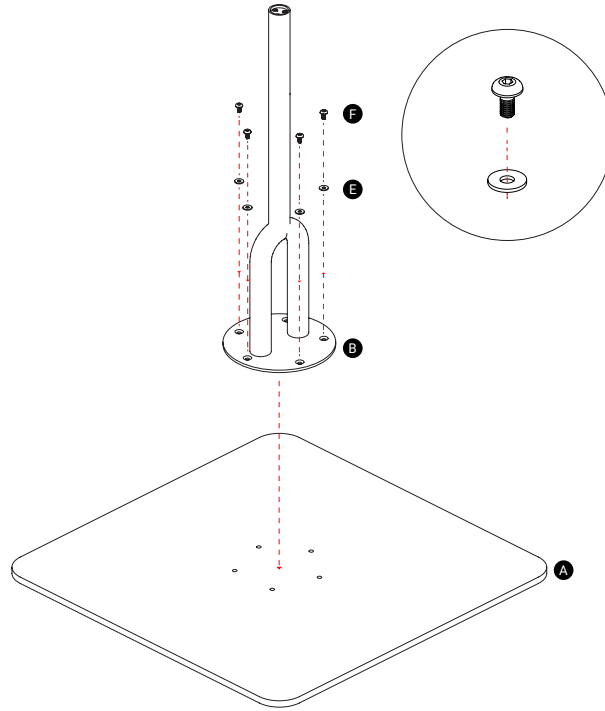
G M8 Washer (3)



H M8 Screw (3)

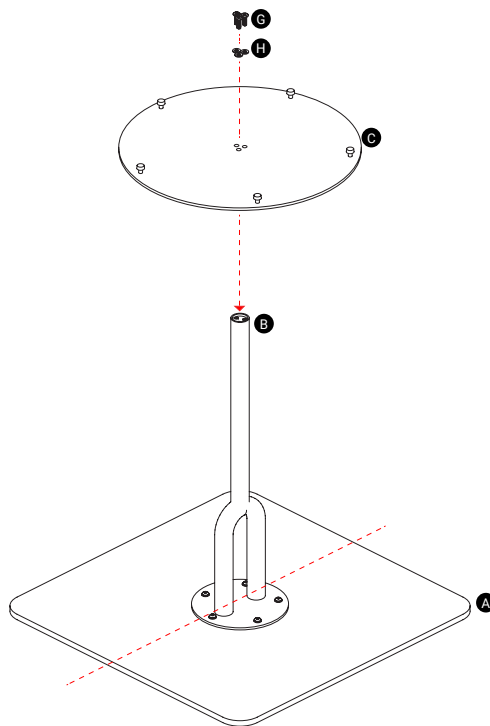
1

- A** Table Top (1)
- B** U-Shaped Stem (1)
- F** M6 Screws (5)
- E** M6 Washer (5)
- D** Allen Key (1)

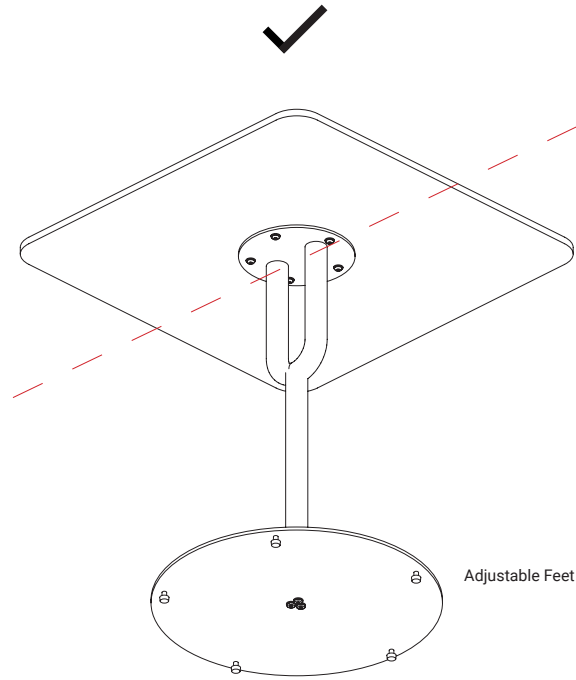


2

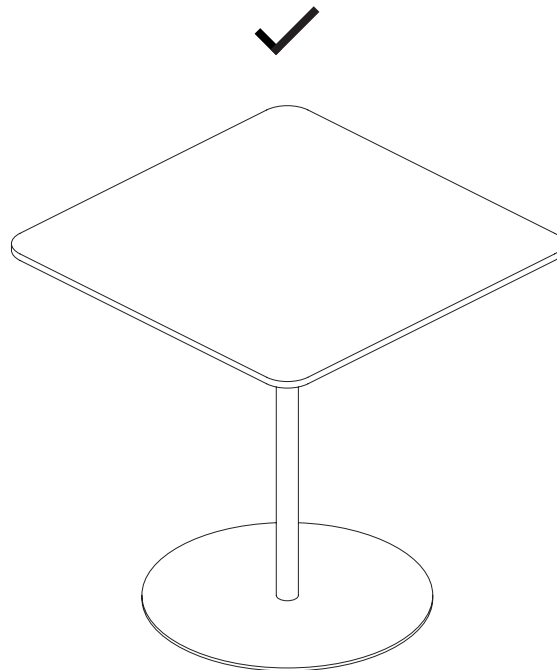
- C** Circular Base (1)
- B** U-Shaped Stem (1)
- H** M8 Screw (3)
- G** M8 Washer (3)
- D** Allen Key (1)



3



4



CARE & MAINTENANCE**Powder Coat**

Clean surfaces with a damp, lint free, non abrasive cloth and then wipe dry after cleaning. Ensure all cleaning solutions do not contain any bleaching agents, abrasives or solvents. Make sure to test on underside or non visible surface of the product first to ensure cleaner is compatible with material. Ensure that all the cleaning solution is wiped off the surface and is not allowed to sit for any extended period of time.

Compact Laminate & Laminate

Clean surfaces with a damp, lint free, non abrasive cloth and then wipe dry after cleaning. Ensure all cleaning solutions do not contain any bleaching agents, abrasives or solvents. Make sure to test on underside or non visible surface of the product first to ensure cleaner is compatible with material. Ensure that all the cleaning solution is wiped off the surface and is not allowed to sit for any extended period of time.

END OF LIFE

For more information on the DesignByThem Stewardship Program please visit:
www.designbythem.com/stewardship-and-warranty

NOTE

Product specifications are subject to change after date of print at the discretion of DesignByThem. Before placing any orders please confirm all finishes and dimensions with DesignByThem. Images are a guide only.