



Twill Counter & Bar Chair – Metal

DESIGNED BY

Gibson Karlo

MATERIAL

Powder coated aluminium with a flat finish.

WEIGHT

6.5kg

WARRANTY

5 year warranty based on observance of product maintenance procedures. Excludes fair wear and tear, improper use or vandalism.

STANDARD POWDER COAT COLOURS



Black (RAL 9017) Rust Red (RAL 3009) Pale Eucalypt (RAL 7033) Silk Grey (RAL 7044) Soft White (RAL 9001)

UPHOLSTERED SEAT PAD



House Fabric House Leather COM

OPTIONS

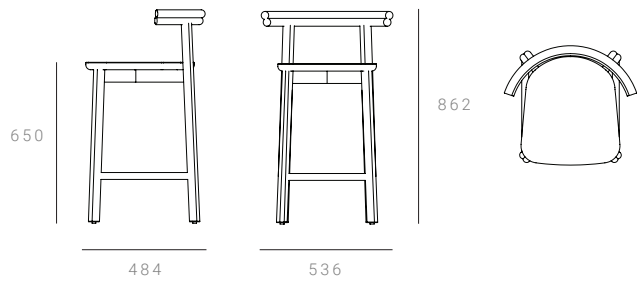
Custom colours may be available upon request. Minimum quantities and custom fees may apply. Please contact info@designbythem.com for more information.

DIMENSIONS - NEXT PAGE

DIMENSIONS

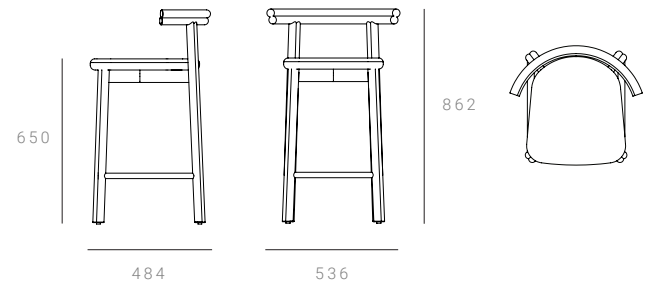
COUNTER CHAIR - 650MM SEAT

536 W x 484 D x 862 H mm / Seat height 650 mm



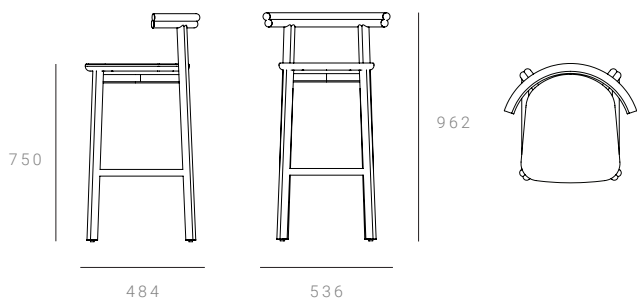
COUNTER CHAIR - 650MM SEAT - UPHOLSTERED

536 W x 484 D x 862 H mm / Seat height 650 mm



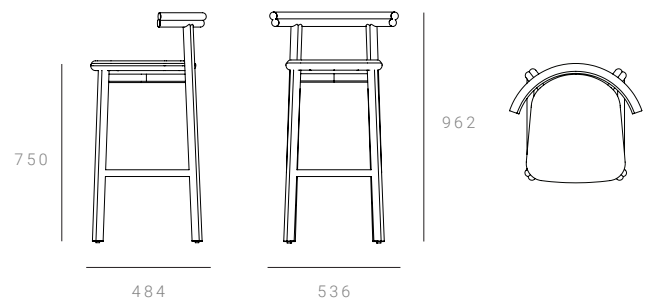
BAR CHAIR - 750MM SEAT

536 W x 484 D x 962 H mm / Seat height 750 mm



BAR CHAIR - 750MM SEAT - UPHOLSTERED

536 W x 484 D x 962 H mm / Seat height 750 mm



CARE & MAINTENANCE

Powder Coat

Clean surfaces with a damp, lint free, non abrasive cloth and then wipe dry after cleaning. Ensure all cleaning solutions do not contain any bleaching agents, abrasives or solvents. Make sure to test on underside or non visible surface of the product first to ensure cleaner is compatible with material. Ensure that all the cleaning solution is wiped off the surface and is not allowed to sit for any extended period of time.

END OF LIFE

For more information on the DesignByThem Stewardship Program please visit:
www.designbythem.com/stewardship-and-warranty

NOTE

Product specifications are subject to change after date of print at the discretion of DesignByThem. Before placing any orders please confirm all finishes and dimensions with DesignByThem. Images are a guide only.