



## Tuck Bar Stool

A colourful range of stools that is comprised of four separate legs connected by the underside fold to create a complete stool. These multiple folds give the stool strength, simplicity, and aesthetic lightness.

**DESIGNED BY**

Nick Karlovasitis & Sarah Gibson

**MATERIAL**

Powder coated stainless steel.

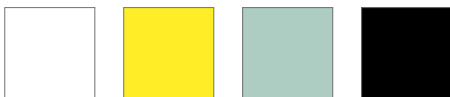
**WEIGHT**

8kg

**WARRANTY**

5 year warranty based on observance of product maintenance procedures. Excludes fair wear and tear, improper use or vandalism.

**STANDARD COLOURS**



White

Yellow

Blue

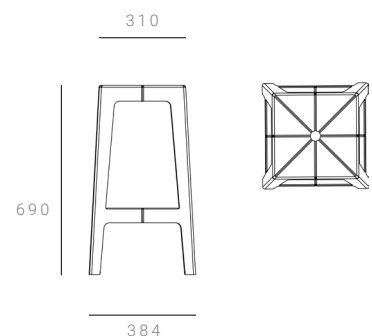
Black

**OPTIONS**

Custom powder coats available upon specification. Please contact [info@designbythem.com](mailto:info@designbythem.com) for details.

**DIMENSIONS**

384 x 384 x 690 H mm



### CARE & MAINTENANCE

#### Powder Coat

Clean surfaces with a damp, lint free, non abrasive cloth and then wipe dry after cleaning. Ensure all cleaning solutions do not contain any bleaching agents, abrasives or solvents. Make sure to test on underside or non visible surface of the product first to ensure cleaner is compatible with material. Ensure that all the cleaning solution is wiped off the surface and is not allowed to sit for any extended period of time.

---

### END OF LIFE

For more information on the DesignByThem Stewardship Program please visit:  
[www.designbythem.com/stewardship-and-warranty](http://www.designbythem.com/stewardship-and-warranty)

---

### NOTE

Product specifications are subject to change after date of print at the discretion of DesignByThem. Before placing any orders please confirm all finishes and dimensions with DesignByThem. Images are a guide only.

---

