



## Piper Table

The Piper Table is available in various sizes including small tables, larger dining tables and coffee tables for indoor and outdoor use. Table tops can also be modified to suit, coming in a standard compact laminate finish.

**Designed by**

Nicholas Karlovasitis & Sarah Gibson

**Material**

Top - Compact Laminate  
 Legs - Powder coated stainless steel

**Warranty**

5 year warranty based on observance of product maintenance procedures. Excludes fair wear and tear, improper use or vandalism.

**Weight**

10kg

**Standard Top Colours**



White

Black

**Standard Base Colours**



White

Black

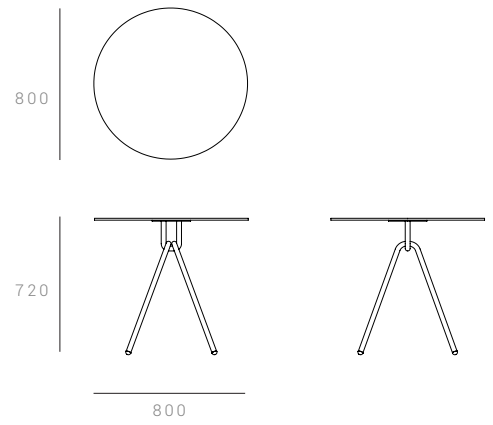
**Options**

Custom colours and finishes available upon specification.  
 Please contact [info@designbythem.com](mailto:info@designbythem.com) for details.

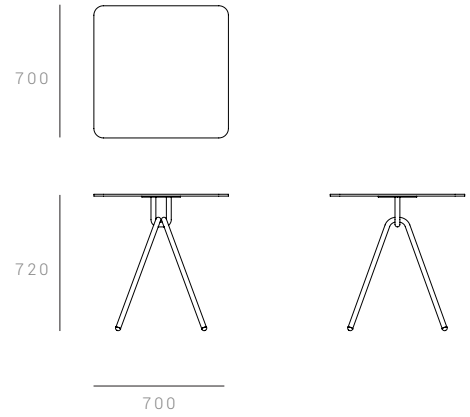


Dimensions

Round - 800 Ø x 720 H mm



Square - 700 W x 700 D x 720 H mm



Custom sizing available upon specification.  
Please contact [info@designbythem.com](mailto:info@designbythem.com) for details.

**Care & Maintenance****Laminate**

Clean surfaces with a damp, lint free, non abrasive cloth and then wipe dry after cleaning. Ensure all cleaning solutions do not contain any bleaching agents, abrasives or solvents. Make sure to test on underside or non visible surface of the product first to ensure cleaner is compatible with material. Ensure that all the cleaning solution is wiped off the surface and is not allowed to sit for any extended period of time.

For intricate surfaces/textures and it is recommended that product is lightly dusted using a static duster. A bristled vacuum cleaner attachment may also be used. Any lighting products should be removed from fixtures before cleaning.

**Powder Coat**

Clean surfaces with a damp, lint free, non abrasive cloth and then wipe dry after cleaning. Ensure all cleaning solutions do not contain any bleaching agents, abrasives or solvents. Make sure to test on underside or non visible surface of the product first to ensure cleaner is compatible with material. Ensure that all the cleaning solution is wiped off the surface and is not allowed to sit for any extended period of time.

---

**End of Life**

A DesignByThem product can be returned to us at the end of its useful life for reuse or recycling as part of our product stewardship program. We will ensure that the product is recycled in its entirety without any material contributing to landfill.