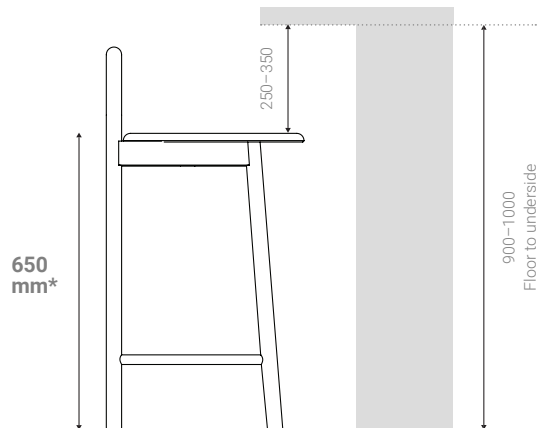


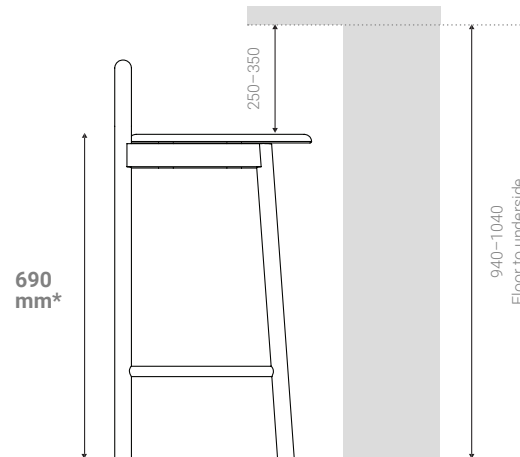
## NOTES

This document is only a guide in relation to DesignByThem bar seating.  
We strongly recommend measuring your space carefully before purchasing.

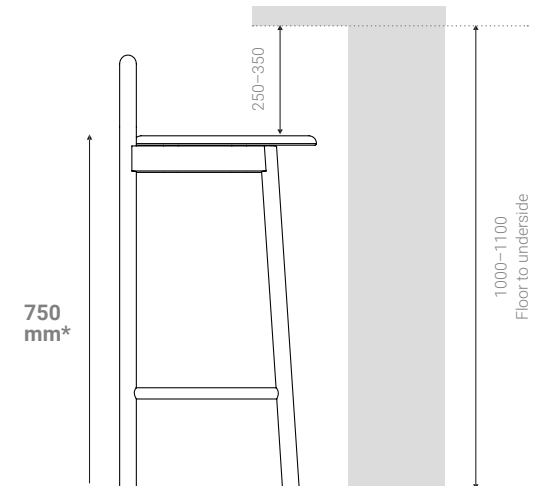
### Counter Height



### Counter Height\*



### Bar Height



\*690H only available for selected collections.

\*Upholstered Seat Pads will add 40 mm to the seat height, compressing by approximately 30 mm max. when used.