



## Confetti Round Bar Table

**DESIGNED BY**

Sarah Gibson & Nicholas Karlovasitis

**MATERIAL**

100% recycled plastic\* bases (post consumer and factory waste) with laminate/compact laminate/powder coated stainless steel table top.

**WARRANTY**

5 year warranty based on observance of product maintenance procedures. Excludes fair wear and tear, improper use or vandalism.

**STANDARD TOP COLOURS**



Textured  
Black  
Metal



Textured  
White  
Metal



Laminate



Compact  
Laminate



Laminate



Compact  
Laminate

**STANDARD BASE FINISH**



Confetti\*

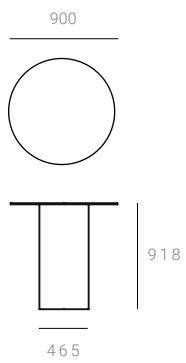
\*Please note that the appearance of the Confetti plastic varies in colour and patterns due to its 100% recycled nature.

**DIMENSIONS**

Please allow a tolerance of +/- 10 mm for the recycled plastic base.

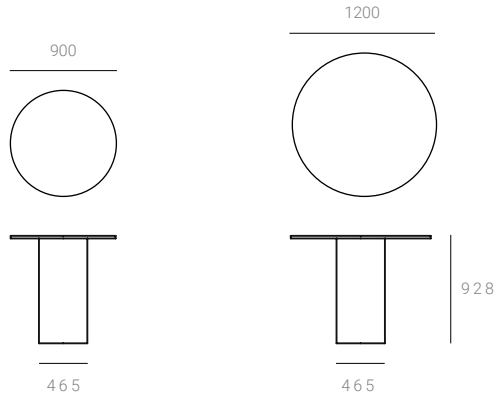
Metal Top

900 Ø x 918 H mm



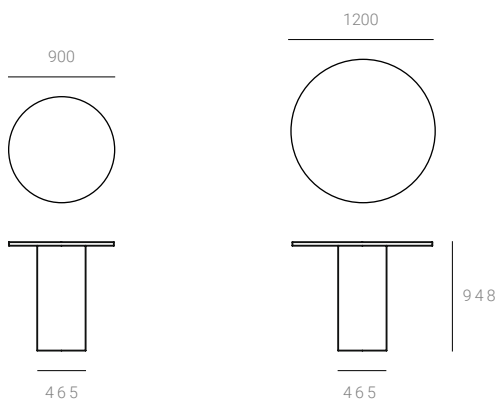
Compact Laminate Top

900/1200 Ø x 928 H mm



Laminate Top

900/1200 Ø x 948 H mm



**Custom sizing available.**

**CARE & MAINTENANCE****Plastic**

Clean surfaces with a damp, lint free, non abrasive cloth and then wipe dry after cleaning. Ensure all cleaning solutions do not contain any bleaching agents, abrasives or solvents. Make sure to test on underside or non visible surface of the product first to ensure cleaner is compatible with material. Ensure that all the cleaning solution is wiped off the surface and is not allowed to sit for any extended period of time.

Avoid placing hot or exposed objects directly onto surface to prevent scorch marks and heat damage.

**Powder Coat**

Clean surfaces with a damp, lint free, non abrasive cloth and then wipe dry after cleaning. Ensure all cleaning solutions do not contain any bleaching agents, abrasives or solvents. Make sure to test on underside or non visible surface of the product first to ensure cleaner is compatible with material. Ensure that all the cleaning solution is wiped off the surface and is not allowed to sit for any extended period of time. Avoid placing hot or exposed objects directly onto surface to prevent scorch marks and heat damage.

---

**END OF LIFE**

For more information on the DesignByThem Stewardship Program please visit:  
[www.designbythem.com/stewardship-and-warranty](http://www.designbythem.com/stewardship-and-warranty)

---

**NOTE**

Product specifications are subject to change after date of print at the discretion of DesignByThem. Before placing any orders please confirm all finishes and dimensions with DesignByThem. Images are a guide only.