



## Confetti Bench

Confetti Bench is available in various sizes and modular configurations utilising durable 100% recycled plastic bases with a metal or upholstered top.

**DESIGNED BY**

Sarah Gibson & Nicholas Karlovasitis

---

**MATERIAL**

Upholstered/powder coated stainless steel top, 100% recycled plastic\* (post consumer and factory waste) base.

**WARRANTY**

5 year warranty based on observance of product maintenance procedures. Excludes fair wear and tear, improper use or vandalism.

---

**STANDARD TOP FINISHES**



Upholstery

Textured  
Black

Textured  
White

**STANDARD BASE FINISH**



Confetti\*

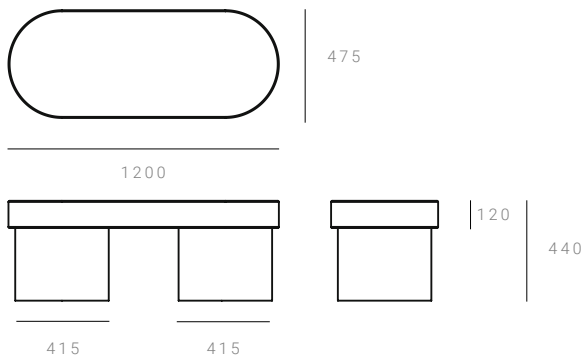
\*Please note that the appearance of the Confetti plastic varies in colour and patterns due to its 100% recycled nature.

Confetti Benches sold as single units. Refer to dimensions on following page.

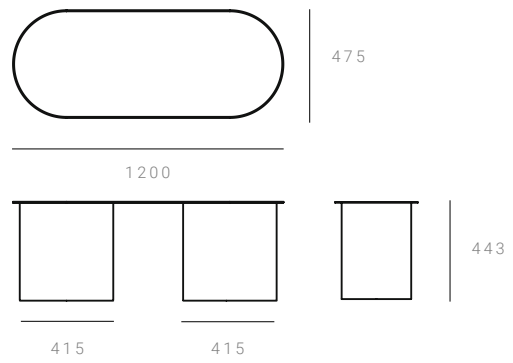
DIMENSIONS

Please allow a tolerance of +/- 10mm for the recycled plastic base.

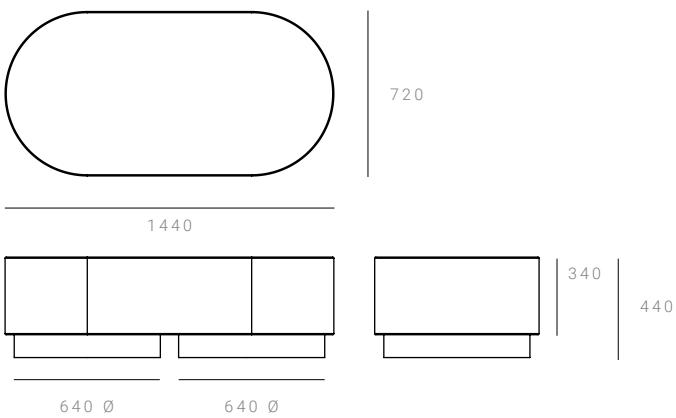
Upholstered top  
1200 W x 475 D x 440 H mm



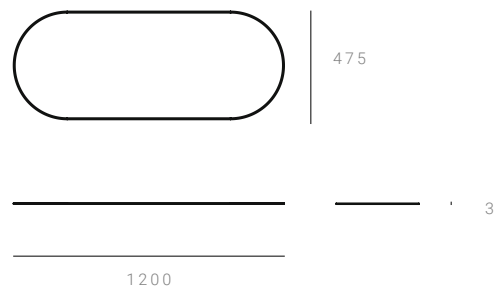
Metal top  
1200 W x 475 D x 443 H mm



Upholstered Bench - Large  
1440 W x 720 D x 440 H mm



Connector  
1200 W x 475 D x 3 H mm



Custom sizing available.

IMAGE REFERENCES



Confetti Bench single with upholstered seat.



Confetti Bench single 2-seater with powder coated metal seat.



Upholstered Confetti Bench - Large.

**CARE & MAINTENANCE****Plastic**

Clean surfaces with a damp, lint free, non abrasive cloth and then wipe dry after cleaning. Ensure all cleaning solutions do not contain any bleaching agents, abrasives or solvents. Make sure to test on underside or non visible surface of the product first to ensure cleaner is compatible with material. Ensure that all the cleaning solution is wiped off the surface and is not allowed to sit for any extended period of time.

For intricate surfaces/textures and it is recommended that product is lightly dusted using a static duster. A bristled vacuum cleaner attachment may also be used. Any lighting products should be removed from fixtures before cleaning.

**Fabric**

It is recommended to lightly vacuum fabrics with a brush attachment on a weekly basis to prevent dirt and dust build up.

For best colour longevity, avoid direct sunlight as prolonged UV exposure may change the colour of your fabric (please refer to your specific fabric specification for UV resistance rating).

For any difficult/non water based stains it is recommended that they are removed by professional cleaners and that an annual cleaning is done.

Water based stains or light spills should be treated as soon as possible by gently wiping/dabbing with a damp cloth wrung in a mild solution of water and washing detergent. Avoid using chemical cleaners or scrubs. Allow the fabric to dry out of direct sunlight completely before use.

Please follow any specific instructions provided with your item as it may vary depending on your fabric.

**Powder Coat**

Clean surfaces with a damp, lint free, non abrasive cloth and then wipe dry after cleaning. Ensure all cleaning solutions do not contain any bleaching agents, abrasives or solvents. Make sure to test on underside or non visible surface of the product first to ensure cleaner is compatible with material. Ensure that all the cleaning solution is wiped off the surface and is not allowed to sit for any extended period of time.

**Leather**

It is recommended to lightly wipe leather with a clean soft cloth on a weekly basis to prevent dirt and dust build up.

For longevity, avoid direct sunlight as prolonged UV exposure may change the colour of your leather. Do not place leather items close to heaters. It is best to not place leather items in very hot/dry rooms as it will lose its moisture.

For any difficult stains it is recommended that they are removed by professional cleaners and that an annual conditioning is done. If a professional cleaner is not available at short notice treat the stain with a diluted leather cleaning soap (please contact us for recommendations before using anything) and make sure to wipe a larger area to prevent any patchiness.

Water based stains or light spills should be treated as soon as possible by gently dabbing with a dry cloth. Avoid rubbing the surface or using chemical cleaners or scrubs. Allow the leather to dry out of direct sunlight completely before use.

Please follow any specific instructions provided with your item as it may vary depending on your leather.

---

**END OF LIFE**

For more information on the DesignByThem Stewardship Program please visit:  
[www.designbythem.com/stewardship-and-warranty](http://www.designbythem.com/stewardship-and-warranty)

**NOTE**

Product specifications are subject to change after date of print at the discretion of DesignByThem. Before placing any orders please confirm all finishes and dimensions with DesignByThem. Images are a guide only.