



Butter Bar Stool

Butter Bar Stool is created from Recycled, UV stable content. It is made from a single piece of material which is folded together and assembled with two supports. The bar stool comes in a large variety of colours and is suitable for indoor and outdoor use.

DESIGNED BY

Nicholas Karlovasitis & Sarah Gibson

MATERIAL

Recycled HDPE plastic, UV stable, water resistant.

WEIGHT

6kg

WARRANTY

5 year warranty based on observance of product maintenance procedures. Excludes fair wear and tear, improper use or vandalism.

Static Load Rating 150kg

STANDARD COLOURS



White Grey Beige Yellow Orange Clay Sage Blue Green Black

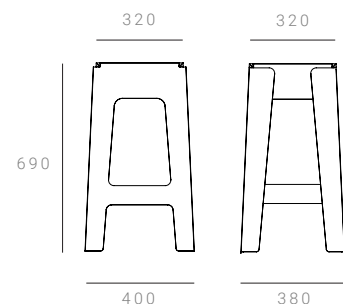
OPTIONS

Custom options available upon specification.
Please contact info@designbythem.com for details.

DIMENSIONS

400 W x 380 D x 690 H mm
Seat size of 320 W x 320 D mm

Custom sizing available upon specification.
Please contact info@designbythem.com for details.



CARE & MAINTENANCE

Plastic

Clean surfaces with a damp, lint free, non abrasive cloth and then wipe dry after cleaning. Ensure all cleaning solutions do not contain any bleaching agents, abrasives or solvents. Make sure to test on underside or non visible surface of the product first to ensure cleaner is compatible with material. Ensure that all the cleaning solution is wiped off the surface and is not allowed to sit for any extended period of time.

END OF LIFE

For more information on the DesignByThem Stewardship Program please visit:
www.designbythem.com/stewardship-and-warranty

NOTE

Product specifications are subject to change after date of print at the discretion of DesignByThem. Before placing any orders please confirm all finishes and dimensions with DesignByThem. Images are a guide only.
