



## Baker Extension Table

The Baker Extension Table welcomes all. Its gentle curves brings warmth to any dining room, creating an inviting space for intimate gatherings and large celebrations alike. Can be sent flat-packed or assembled.

### Designed by

Nicholas Karlovasitis & Sarah Gibson

### Material

FSC Certified Ash, Oak or Rock Maple. Solid frame with veneer top.  
Powder coated steel brackets.

### Weight

50-70kg

### Warranty

5 year warranty based on observance of product maintenance procedures. Excludes fair wear and tear, improper use or vandalism.

### Standard Top Materials



Ash

Oak

Rock  
Maple

### Standard Powder Coat Colours



White

Black

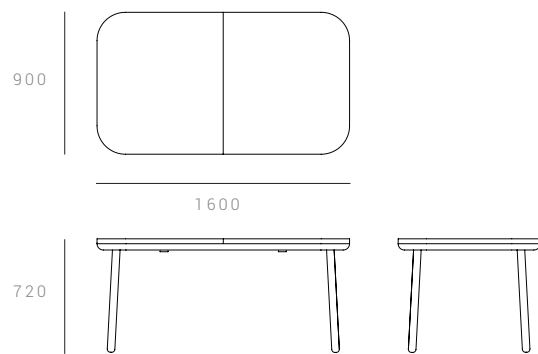
### Options

Custom colours and finishes available upon specification.  
Please contact [info@designbythem.com](mailto:info@designbythem.com) for details.

**Dimensions**

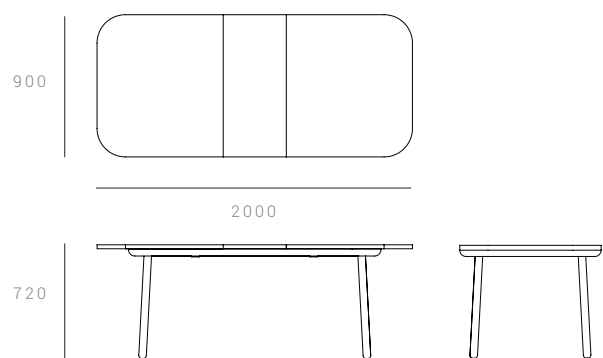
Closed Top

1600 x 900 x 720 H mm



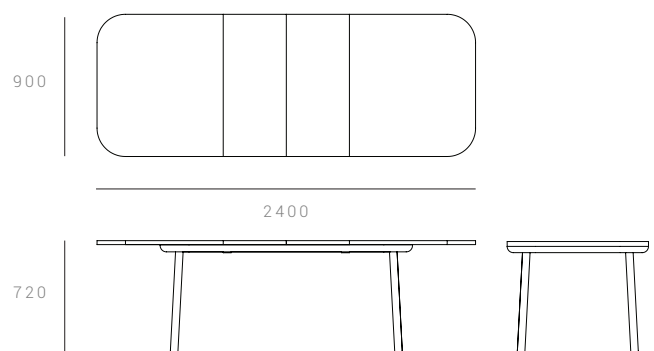
Mid-extended

2000 x 900 x 720 H mm



Fully-extended

2400 x 900 x 720 H mm



Custom sizing available upon specification.

Please contact [info@designbythem.com](mailto:info@designbythem.com) for details.

**Care & Maintenance****Timber**

To clean, begin with a gentle wipe with a soft microfiber cloth going in the direction of the grain to remove any hard grains or dirt that may scratch the surface. Wipe with a damp soft cloth using warm soapy water and mild detergent or with furniture appropriate cleaner ensuring to wipe in the direction of the grain.

Always test any new detergent or cleaner on underside or non visible area first a day before to see if there are any adverse effects. Always ensure to completely dry any detergent or cleaner. Avoid steam cleaning, abrasive cleansers, steel brushes/wools and cleaners containing chlorine. Do not allow dirt to accumulate or liquids to dry out and harden. Never use strong solvents to clean surfaces.

For solid timber, light scuff marks or scratches can be repaired using a wipe on polyxoil. Contact DesignByThem for further information.

---

**End of Life**

A DesignByThem product can be returned to us at the end of its useful life for reuse or recycling as part of our product stewardship program. We will ensure that the product is recycled in its entirety without any material contributing to landfill.

---

**Note**

Product specifications are subject to change after date of print at the discretion of DesignByThem. Before placing any orders please confirm all finishes and dimensions with DesignByThem.