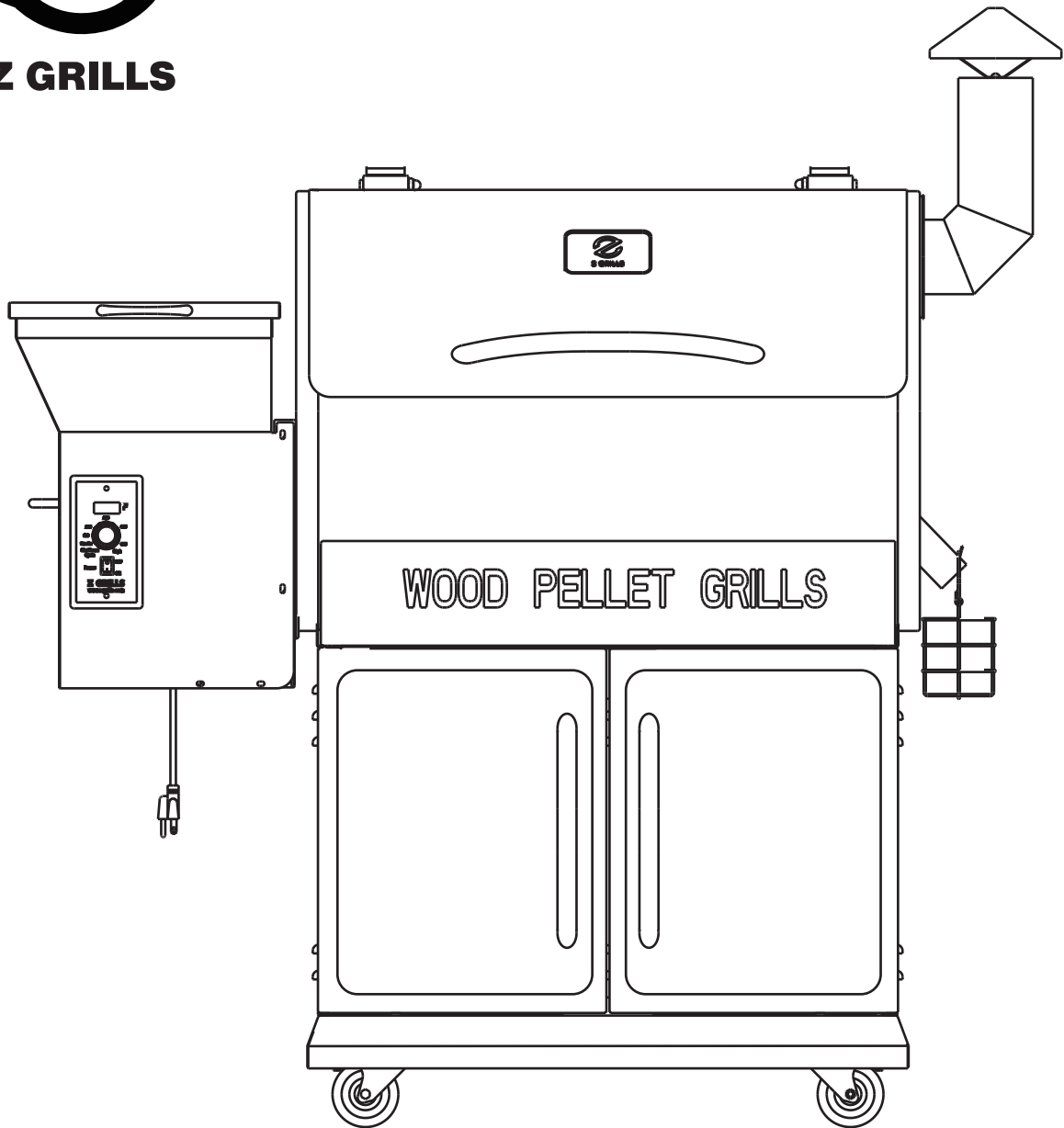


Z GRILLS



WOOD PELLET GRILL

ZPG - 700E

OWNER'S MANUAL

MON TO FRI, 8:00 A.M - 5:00 P.M. PACIFIC STANDARD TIME

SERVICE CONTACT: 1-785-317-5170

EMAIL: support@zgrills.com

WEBSITE: www.zgrills.com

CONTENTS

| | |
|---|----|
| Warning | 3 |
| Component List | 4 |
| Assembly Instructions | 5 |
| Initial Firing Instructions | 17 |
| Subsequent Start-up | 18 |
| Operating Tips | 20 |
| Maintenance & Cleaning | 21 |
| Troubleshooting | 22 |
| Digital Thermostat Control Wiring Diagram | 23 |
| Z Grills Support | 24 |
| 3 Year Limited Warranty | 25 |

SAVE THIS MANUAL FOR FUTURE REFERENCE

WARNINGS!

This grill is for outdoor use only. Do not use it in any enclosed area.

Do not store or use combustible materials or liquids near this appliance.

Keep young children away while it is in use.

Maintain a long safe distance between your grill and any combustible.

Do not move your grill while operating or while it is hot until the grill is completely cold.

If a grease fire occurs, turn "off" and leave lid closed until the fire is extinguished. Do not unplug the power cord. Do not throw water on it. Do not try to smother the fire.

Clean and maintain your grill after each time use.

We suggest that use Z GRILLS BBQ WOOD PELLETS, which are specifically made to work in our grills.

Do not use your grill on rainy days.

Do not touch any part of your grill directly while it is hot. Serious bodily injury could result.

We suggest that use heat-resistant gloves when operating this grill.

We suggest that you should wrap Grease Drain Pan up with heavy-duty aluminum foil before using because it is easy to clean.

For convenient and safe assembly, use at least two people to assemble the grill.

Make sure the power cord is disconnected before performing any service or maintenance.

Always keep the Pellet Hopper dry, the wood pellets will expand greatly, break apart and even jam the feed system if the pellets get wet or are exposed to high humidity.

COMPONENT LIST

| ITEM | QTY | DESCRIPTION |
|------|-----|------------------------|
| 1 | 1 | Grill Chamber Assembly |
| 2 | 1 | Thermal Baffle |
| 3 | 1 | Hopper Bottom Assembly |
| 4 | 1 | Body Frame |
| 5 | 1 | Heat Baffle |
| 6 | 1 | Grease Drain Pan |
| 7 | 1 | Warming Rack |
| 8 | 1 | Porcelain Grills |
| 9 | 1 | Lid |
| 10 | 2 | Hinge Assembly |
| 11 | 2 | Hinge Pin |
| 12 | 1 | Lid Handle |
| 13 | 1 | RTD Temperature Probe |
| 14 | 1 | Chimney Cap Assembly |
| 15 | 1 | Smoke Stack Assembly |
| 16 | 1 | Smoke Stack Gasket |
| 17 | 1 | Grease Bucket |
| 18 | 1 | Screwdriver |
| 19 | 1 | Hopper Burner Lid |
| 20 | 1 | Hopper Lid Handle |
| 21 | 1 | Hopper Guard |
| 22 | 1 | Digital Control |
| 23 | 1 | Hopper Bottom Assembly |
| 24 | 1 | Hopper Bottom Cover |
| 25 | 1 | Auger Drive Motor |
| 26 | 1 | Auger Tube Bushing |
| 27 | 1 | Power Cord |
| 28 | 1 | Thick Gasket |
| 29 | 1 | Power Cord Collector |
| 30 | 1 | Auger |

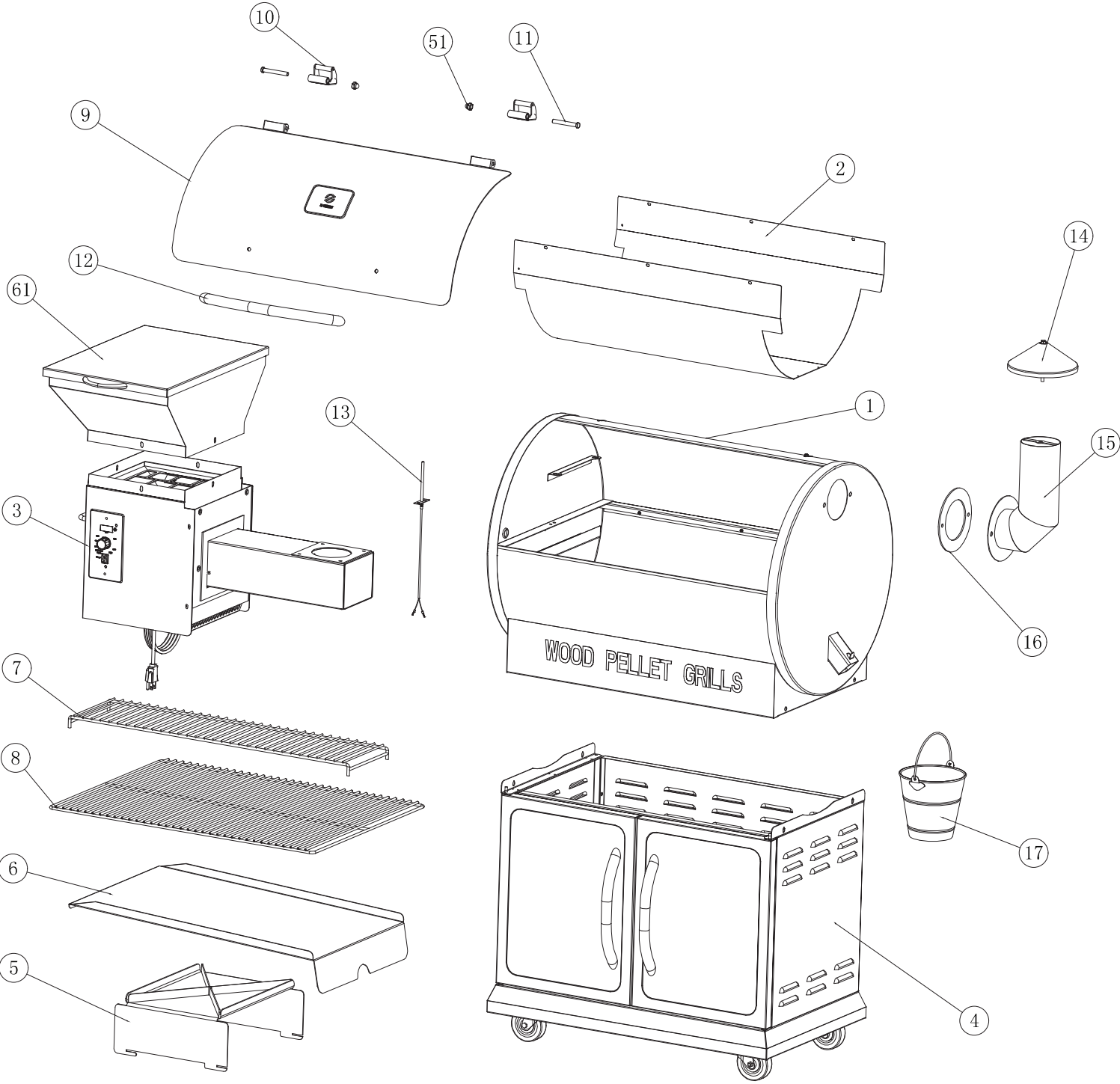
| ITEM | QTY | DESCRIPTION |
|------|-----|------------------------|
| 31 | 1 | Hot Rod (Ignitor) |
| 32 | 1 | Firepot Assembly |
| 33 | 1 | Burner Box Assembly |
| 34 | 1 | Hopper Burner Gasket |
| 35 | 1 | Hopper Burner Assembly |
| 36 | 1 | Fan |
| 37 | 2 | Bottom Pivot |
| 38 | 1 | Left Door |
| 39 | 1 | Left Door Upper Pivot |
| 40 | 1 | Left Plate |
| 41 | 1 | Magnet Block |
| 42 | 1 | Beam |
| 43 | 4 | Magnet |
| 44 | 1 | Back Board |
| 45 | 1 | Right Plate |
| 46 | 1 | Right Door |
| 47 | 2 | Door Handle |
| 48 | 2 | Wheels (without brake) |
| 49 | 2 | Wheels (with brake) |
| 50 | 1 | Platform |
| 51 | 2 | Cap Nuts |
| 52 | 19 | Bolt |
| 53 | 8 | Hexagon Bolt |
| 54 | 8 | Gasket |
| 55 | 2 | Hexagon Nut |
| 56 | 1 | Right Door Pivot |
| 57 | 2 | Gasket |
| 58 | 2 | Bolt |
| 59 | 2 | Wrench |
| 60 | 2 | Bolt |
| 63 | 2 | Keyp Nuts |

9

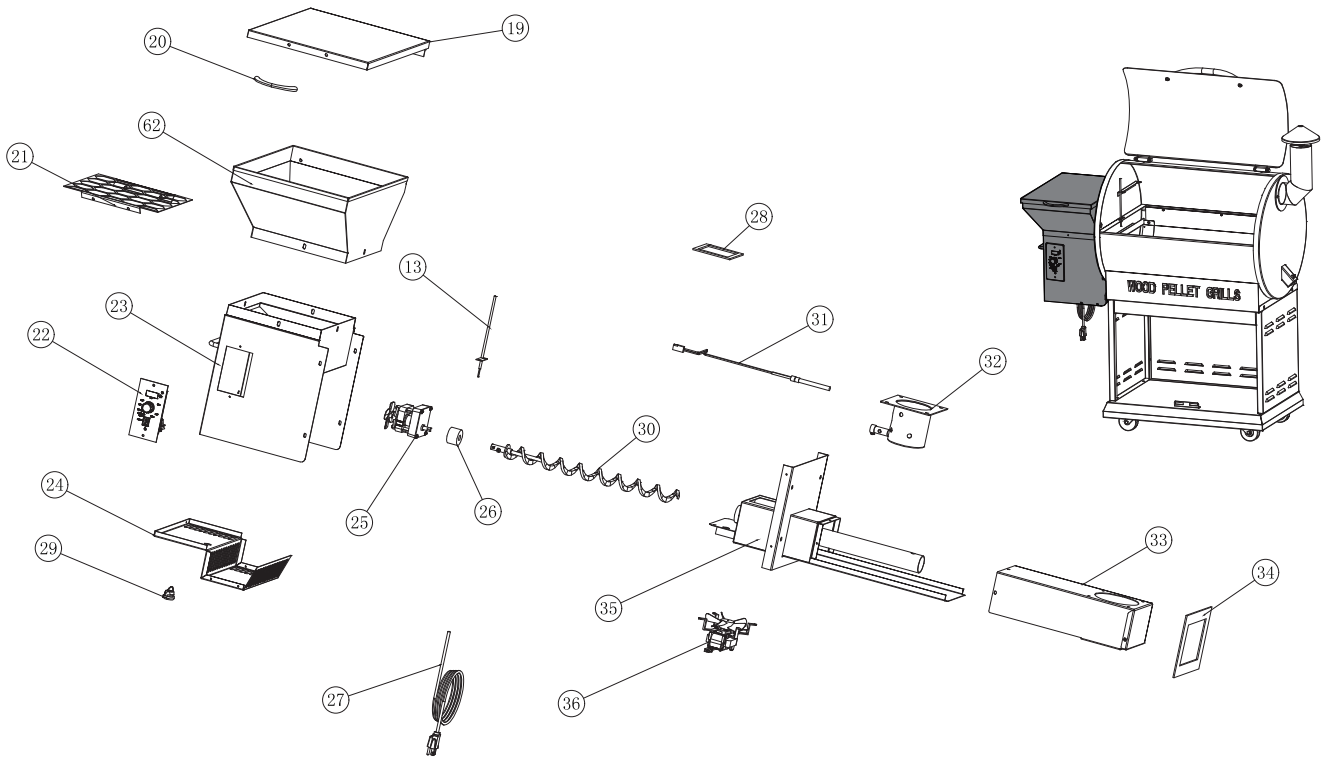
Remark: 52*(Screw package) has 19 screws in total, including 18 necessary screw and 1 spare screw.

ASSEMBLY INSTRUCTIONS

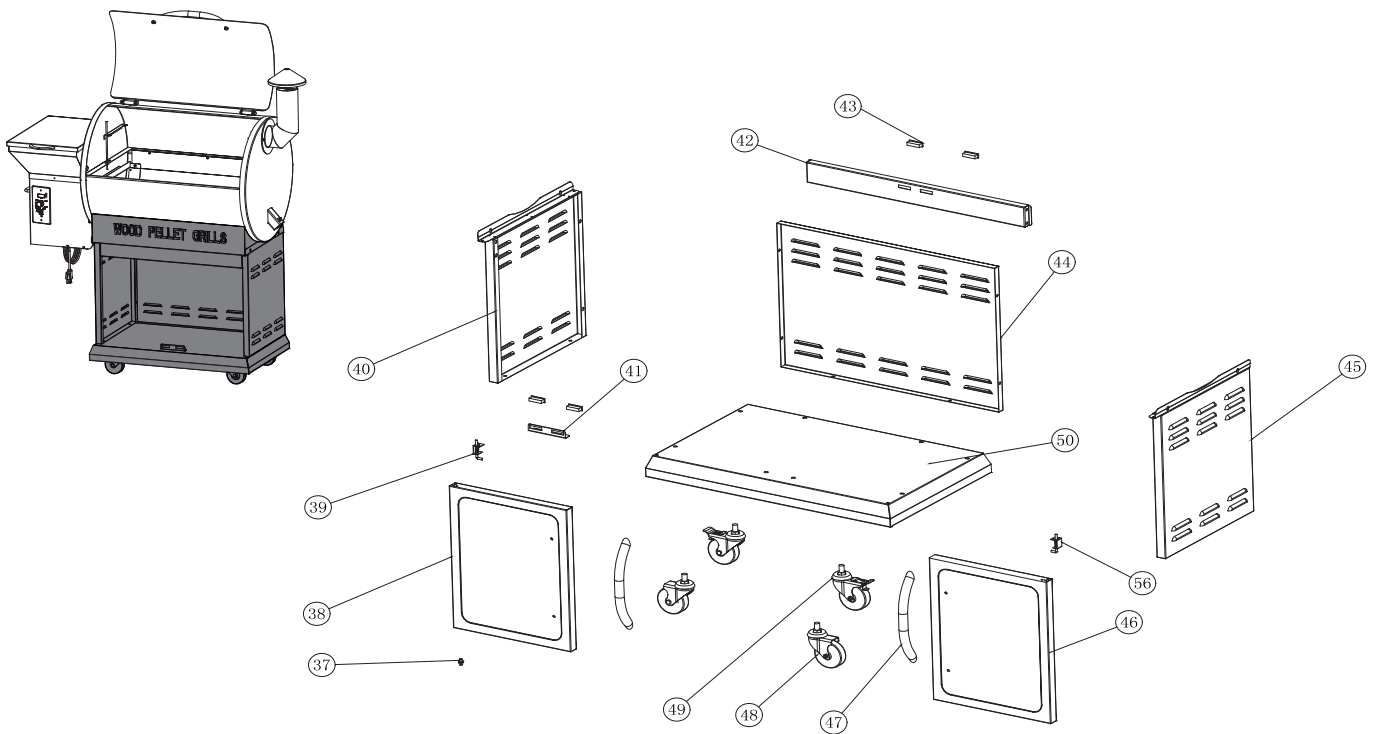
PARTS DIAGRAM



Hopper / Burner Assembly



Body Frame Assembly



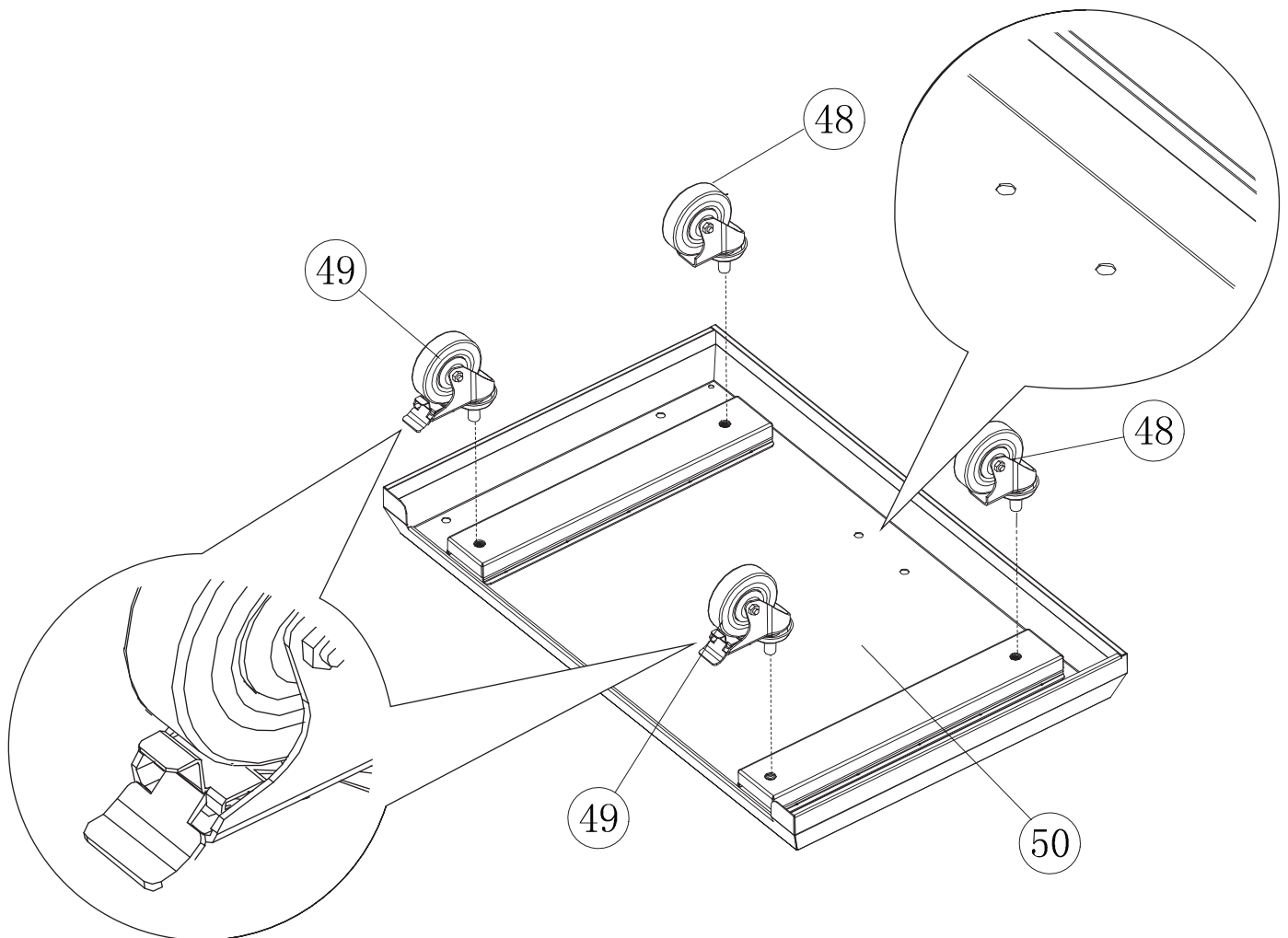
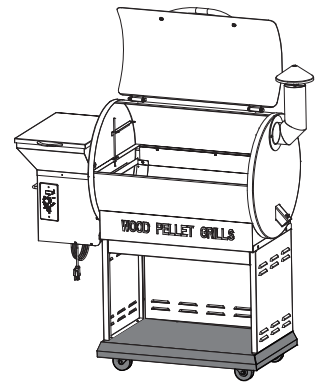
I. Assembling of Bottom Base

1. Turn the Platform (50) upside down so the lip is facing upward.
2. Insert the wheels (without brake) (48) in the screw holes. Tighten with wrench.

Note: These wheels should be installed on the side with a lip.

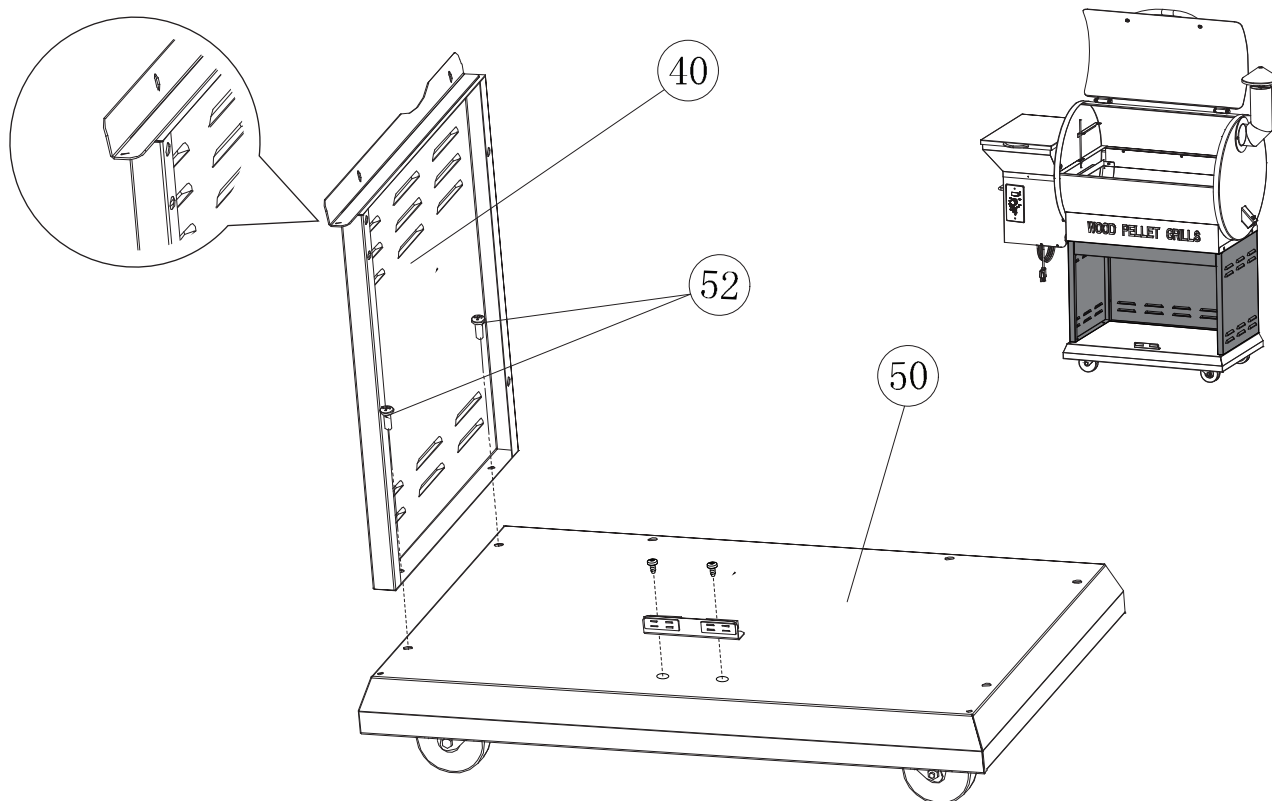
3. Insert the wheel (with brake) (49) into the screw holes. Tighten with wrench.

Note: These wheels should be installed on the side without a lip.

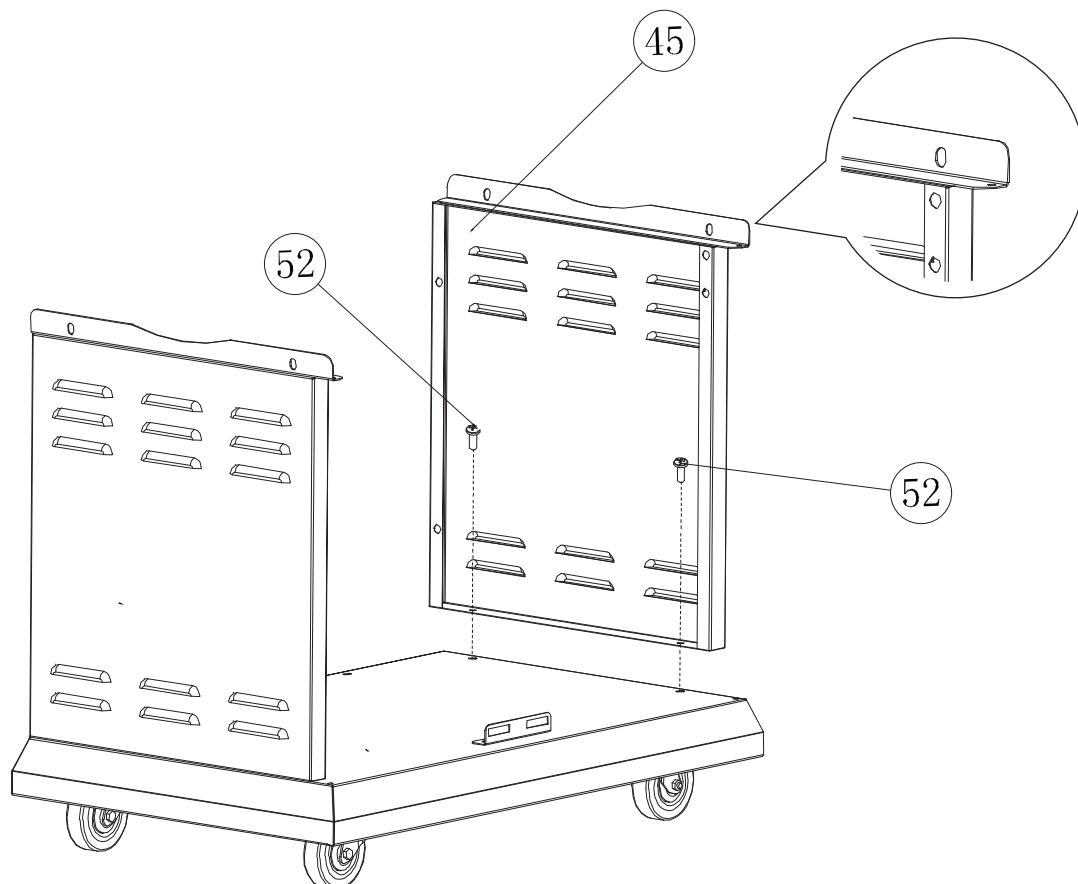


II. Mounting the Body Frame

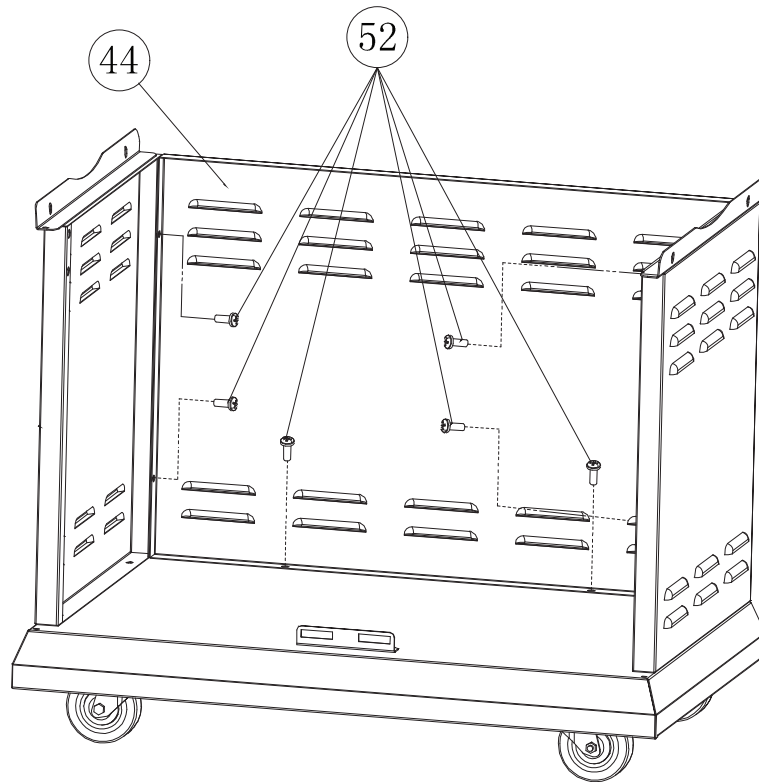
1. Flip Platform (50) over so wheels are resting on the ground.
2. With the lip facing upward, secure Left Plate (40) to the Platform (50) with Bolt (52).



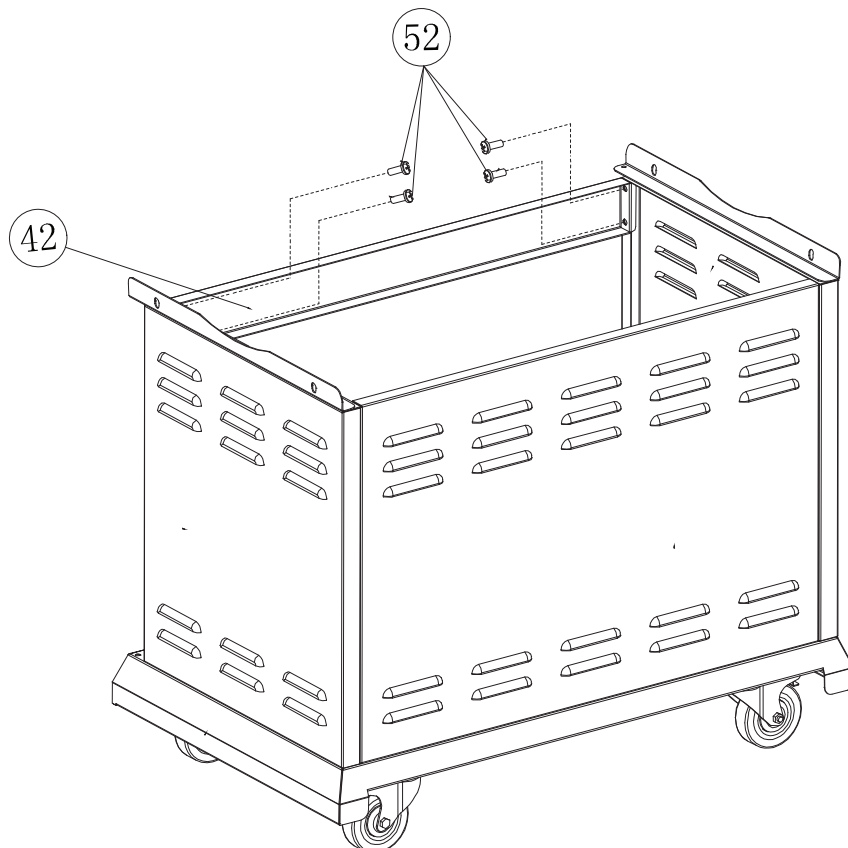
3. With the lip facing upward, secure Right Plate (45) to the Platform (50) with Bolts (52).



4. Secure Back Plate (44) to the Platform (50) with Bolt (52), connecting the Left Plate (40) and the Right Plate (45).

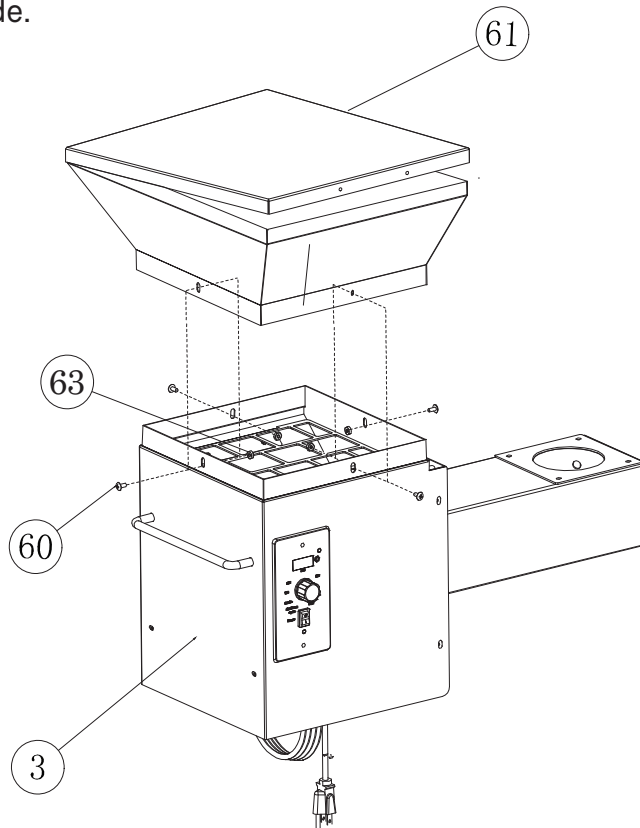


5. Attach the Beam (42) between Left Plate (40) and Right Plate (45) with Bolt (52). **Note: The beam should face on the opposite of the back plate and the platform.**

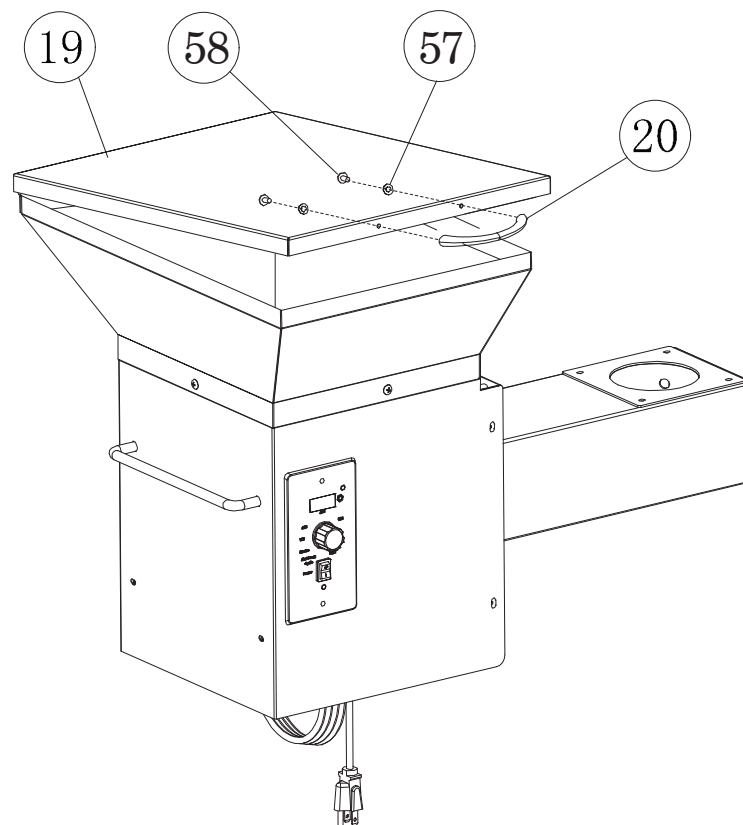


III. Assembling Of Hopper

1. Insert Hopper Assembly II (61) into Hopper Assembly I (3) so the bolt holes are aligned.
2. Insert the Bolts (60) through the holes in the Hopper.
3. Open the Hopper Lid and attach the Hexagon Kep Nuts (63) on the inside of the Hopper Assembly II (61), then tighten it from inside.



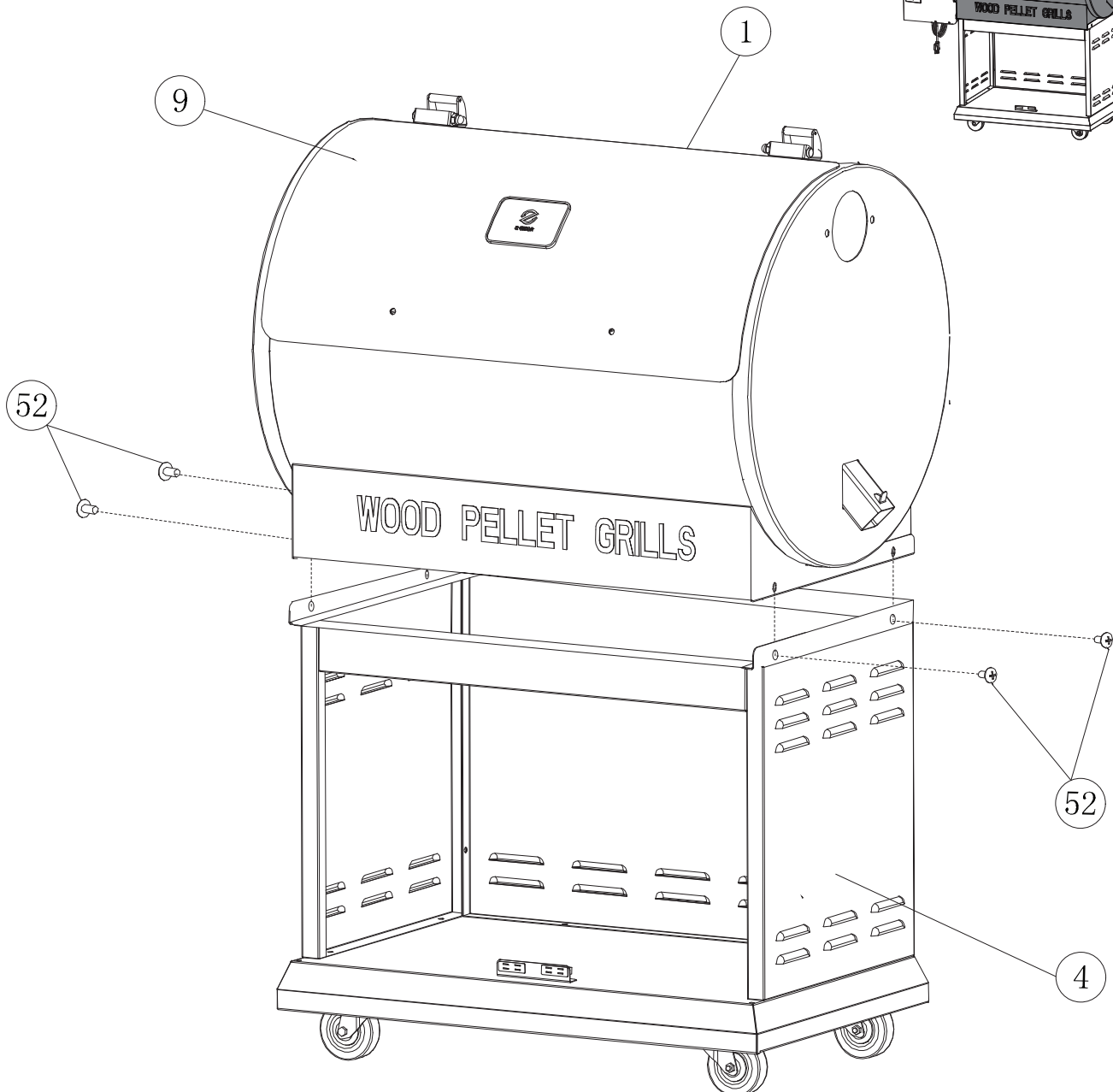
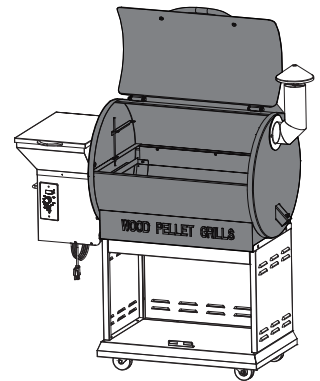
4. Cover the hopper mouth while installing the handle. Screws may fall into the hopper mouth. Insert Hexagon Bolt (58) through Gasket (57) and lid (9) directly to the handle and tighten up. **Warning: Do not screw too tight.**



IV. Positioning the Chamber on the Body Frame

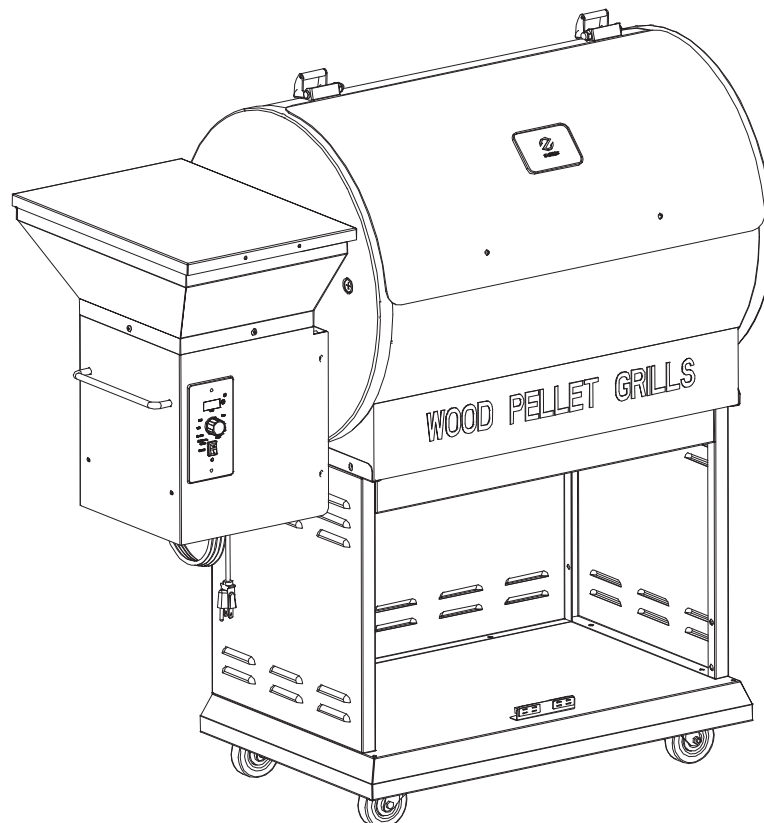
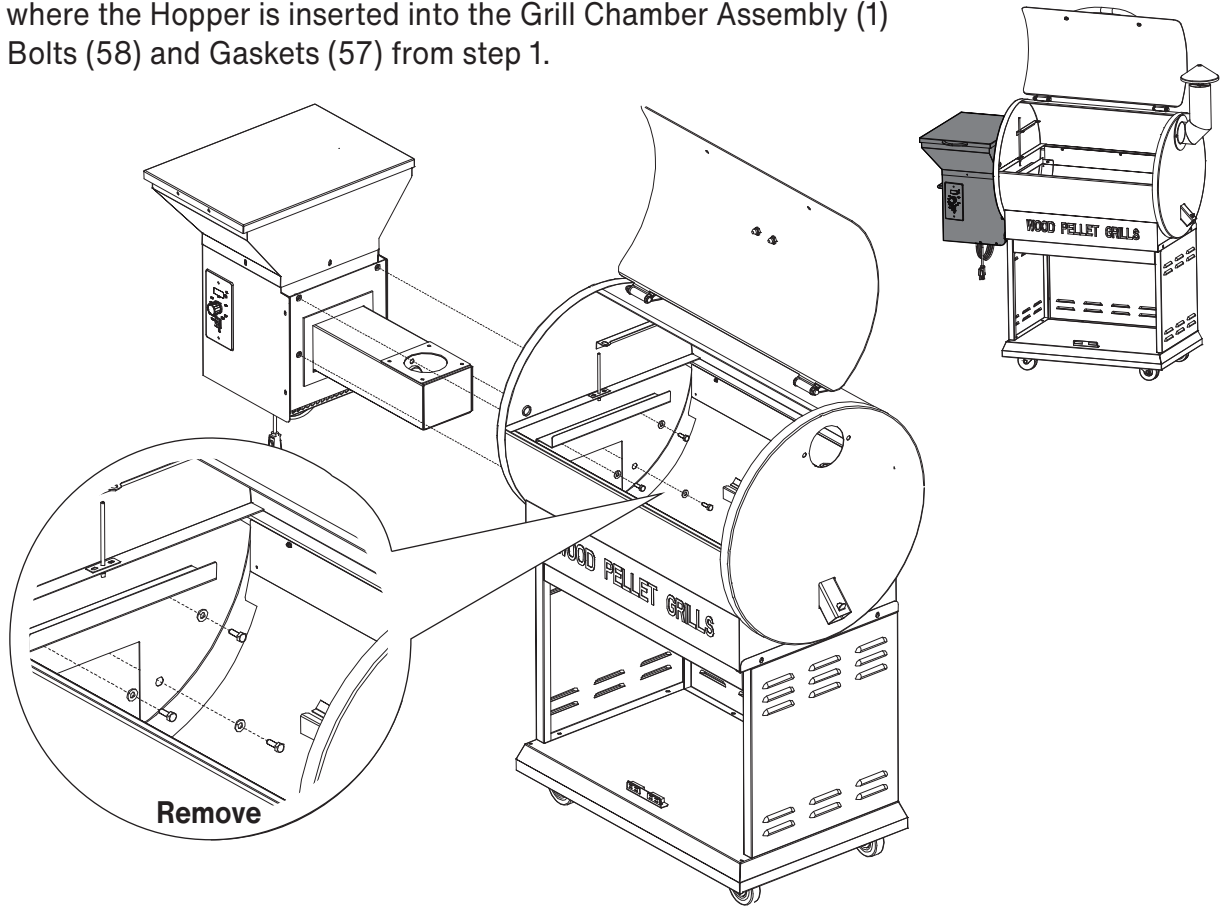
Note: This step may lead to injury. We recommend that you have another person help with this set. Use caution with the Grill Chamber Assembly.

1. Uplift the Grill Chamber Assembly (1) on the Body Frame (4).
2. Make sure that the Grill Chamber Assembly (1) is between the left and right plate of the Body Frame (4).
3. Align the Chamber holes with the plate holes and secure with Bolts (52).



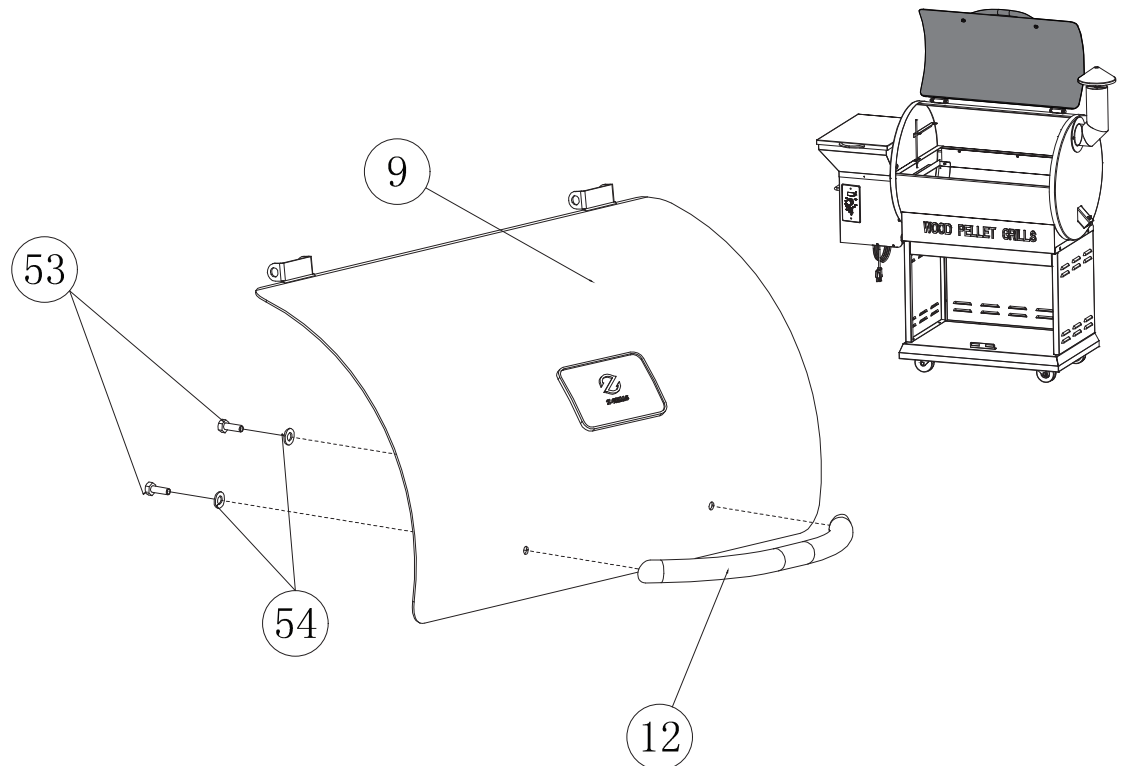
V. Mounting the Hopper to the Chamber

1. The Hopper has two Bolts with Gaskets attached on the side to be inserted into the Grill Chamber Assembly (1). Remove these components and set aside
2. Open the Grill Chamber Assembly (1) lid and then carefully insert the Hopper Bottom Cover (3) into open space where the Hopper is inserted into the Grill Chamber Assembly (1)
3. Reattach Bolts (58) and Gaskets (57) from step 1.



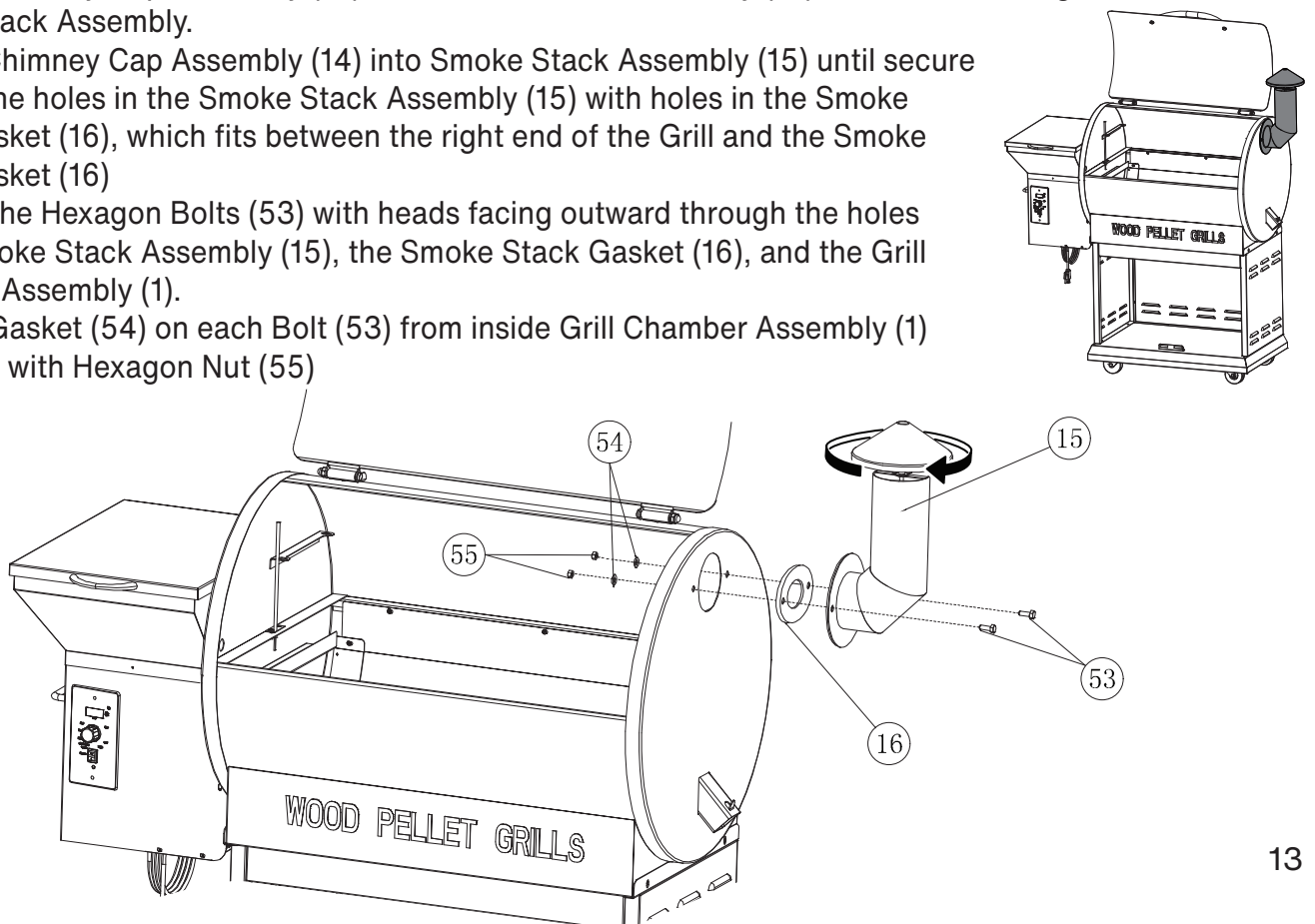
VI. Attaching the Chamber Door Handle

Insert Hexagon Bolt (53) through Gasket (54) and Lid (9) directly to the handle and tighten up.



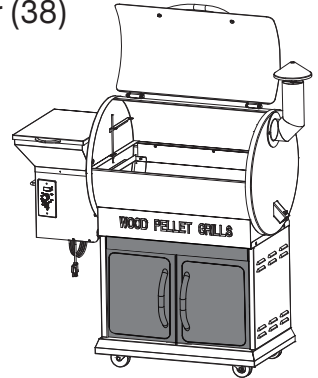
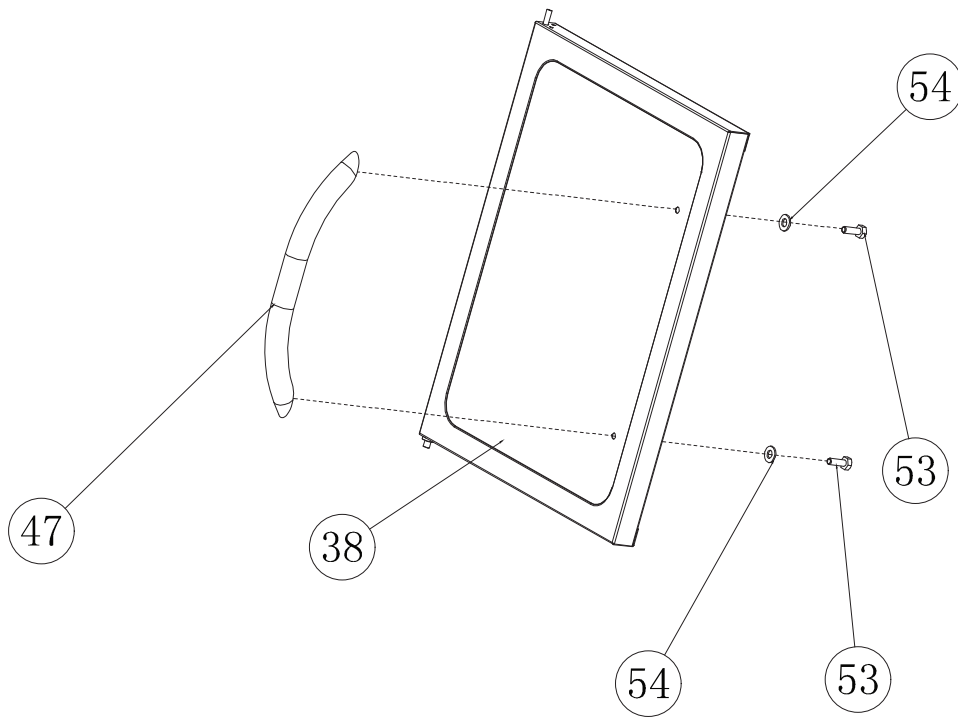
VII. Attaching the Smoke Stack and Chimney Cap

1. Place Chimney Cap Assembly (14) over Smoke Stack Assembly (15) with screen facing towards Smoke Stack Assembly.
2. Twist Chimney Cap Assembly (14) into Smoke Stack Assembly (15) until secure
3. Align the holes in the Smoke Stack Assembly (15) with holes in the Smoke Stack Gasket (16), which fits between the right end of the Grill and the Smoke Stack Gasket (16)
4. Insert the Hexagon Bolts (53) with heads facing outward through the holes in the Smoke Stack Assembly (15), the Smoke Stack Gasket (16), and the Grill Chamber Assembly (1).
5. Place Gasket (54) on each Bolt (53) from inside Grill Chamber Assembly (1)
6. Secure with Hexagon Nut (55)



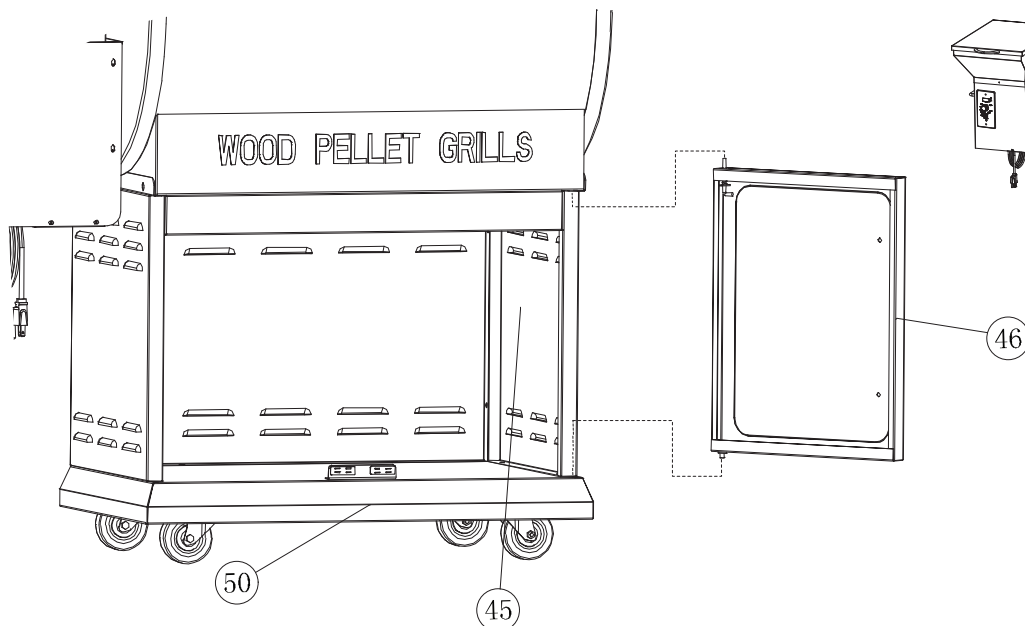
VIII. Positioning the Door Handle

1. Align the holes in the Left Door (38) with the holes in a Handle (47)
2. Place a Gasket (54) on each Hexagon Bolt (53)
3. Screw in each hole
4. Tighten Hexagon Bolt (53) with a Wrench (59) to secure Handle to Left Door (38)
5. Repeat the previous step to assemble the Left Door (38)



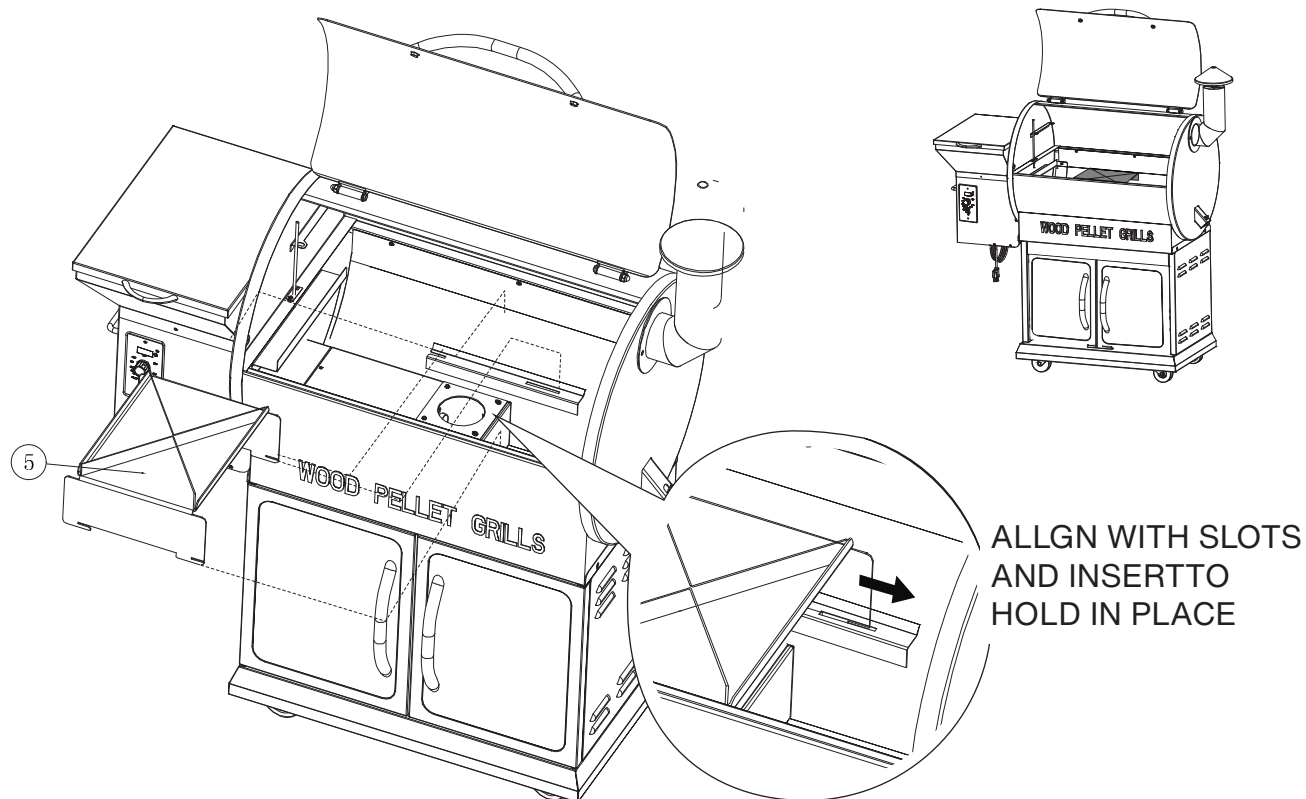
IX. Positioning the Door

1. Insert the Bottom Pivot (37) of the Right Door (46) with handle assembled into the small hole on Platform (50)
2. Pull down the Right Door Pivot (56) until the upper end is aligned with the top edge of the Right Door (46)
3. Align the Right Door Pivot (56) with the upper hole and pull up the pivot to secure the door. Make a proper adjustment until the doors can be firmly closed. To adjust the height of the door, turn the nut on the pivot to raise or lower the door for proper alignment.
4. Repeat Sept 1 to secure the left Door (38)



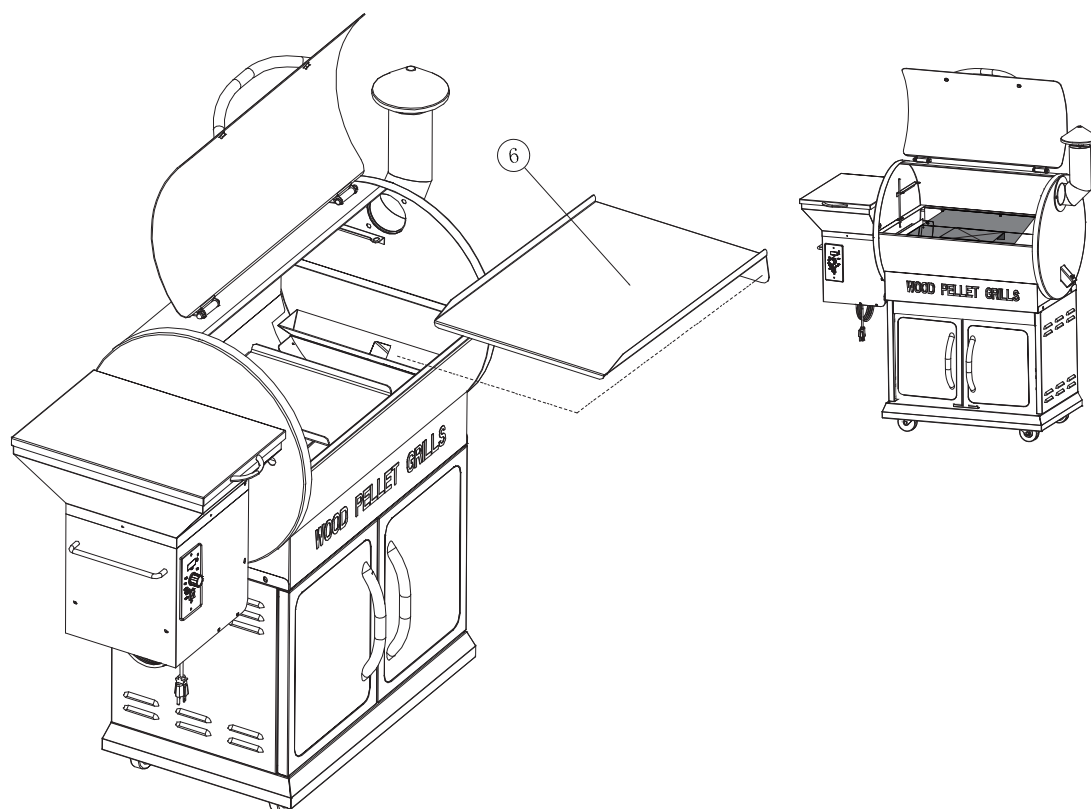
X. Positioning the Heat Baffle

1. Position the Heat Baffle (5) with the notched legs facing downward over the brackets inside the walls of the Grill Chamber Assembly (1)
2. Slide Heat Baffle (5) into slots in Grill Chamber Assembly (1) and ensure everything is secure



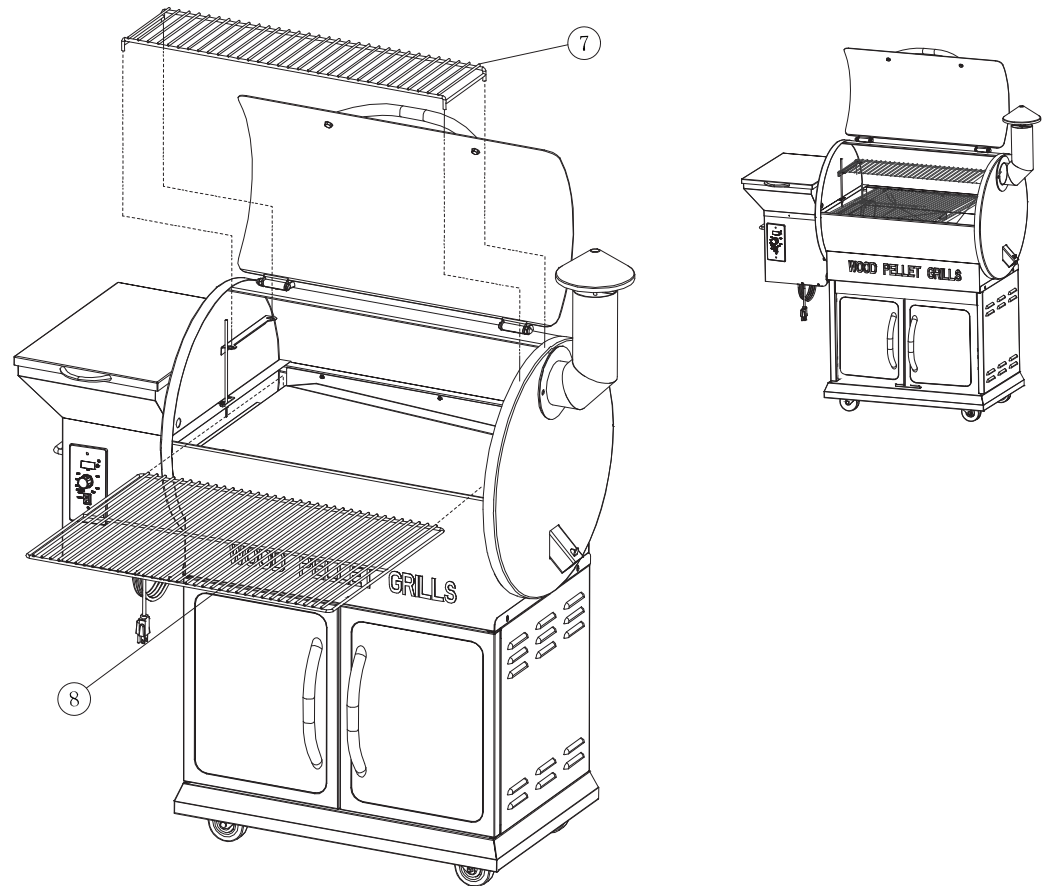
XI. Positioning the Grease Drain Pan

Position The Grease Drain Pan (6) over the Firepot inside the Grill Chamber Assembly (1)
Ensure the notched legs of the Grease Drain Pan are facing downward and fit onto the locating brackets.
This allows the grease can flow into the Grease Drain Tube.



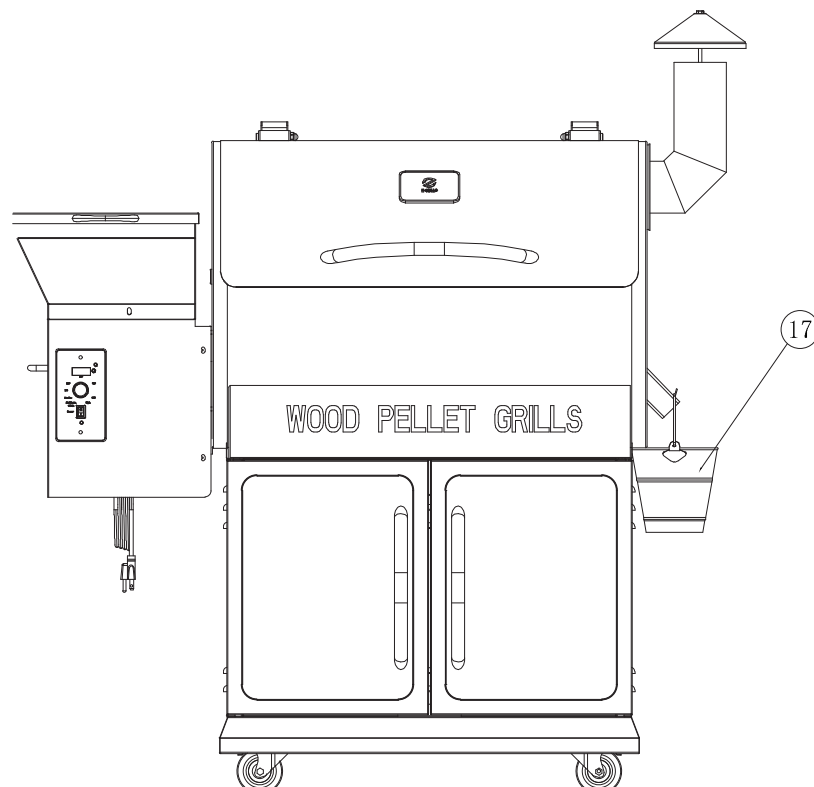
XII. Positioning the Porcelain Grill

1. Place the Porcelain Grill (8) inside the cooking area in the Grill Chamber Assembly (1)
2. Place the Warming Rack (7) on the rack support with the lip facing toward the back of the Grill Chamber Assembly (1)



XIII. Hang on the Grease Basket

1. Locate the Grease Drain Tube, which is on the right side of the chamber
2. Hang Grease Basket (17) on the Hook



INITIAL FIRING INSTRUCTIONS

Please read this manual carefully and follow it step by step before starting your Z Grills for the first time and each time the grill runs out of pellets.

1. Remove the Porcelain Grills, Grease Drain Pan and Heat Baffle from the interior of the grill.
2. Open the Pellet Hopper Lid, make sure there are no foreign objects in the Auger and Hopper.
3. With the Switch in the OFF(O) position, plug the power cord into 110 Volt AC grounded outlet.
4. Turn on your Z Grills and turn the Temperature Dial to SMOKE position. Please check the following things:
(WARNING: Please do not touch it!)
 - Confirm the Auger is turning.
 - Hold your fingers above the Firepot to confirm the fan is blowing air through the Firepot.
 - Look to see the Hot Rod should turn a light red slowly (It takes approximately 1-2 minutes.)
5. Turn the Temperature Dial to SHUT DOWN CYCLE. (Please note the draft fan will stay on for 10 minutes in this mode.)
6. Fill the Pellet Hopper with Pellets. Then turn the Temperature Dial to HIGH. It takes some time for the Pellets to travel through the tube, when the Pellets start to drop, turn the Temperature Dial to SHUT DOWN CYCLE.
7. Turn the Temperature Dial to SMOKE. Allow the Pellets to come to full flame. Once flames are coming out of the Firepot, turn the Temperature Dial to SHUT DOWN CYCLE and let the grill cool down. [We suggest that you should wrap Grease Drain Pan up with heavy-duty aluminum foil before using because it is easy to clean.]
8. Place components back in place. Open the lid and turn the Temperature Dial to SMOKE. A few minutes later, when you see whitish-gray smoke coming out of the grill then close the lid and turn the Temperature Dial to any cooking setting desired.
9. Set Temperature Dial to HIGH and let grill run for 45 minutes at this setting to rid it of any foreign matter. This step must be done before cooking any food.
10. Please preheat the grill for 10 minutes before placing food in it. This allow your grill to warm up.

ALWAYS START THE GRILL ON SMOKE SETTING WITH THE LID OPEN
After the Pellets are ignited, you can turn the Temperature Dial to any cooking temperature desired.

SUBSEQUENT START-UP

Please take attention: If the grill fails to light or the fire in the Firepot goes out while cooking, it is vital to follow these steps when sufficient pellets are still in the Pellet Hopper. Failure to follow the steps may cause a hazardous “over-firing” of your grill due to an excess of unburned pellets in the Firepot.

1. Turn OFF the appliance and unplug the Power Cord. After the grill cools down, remove all food, the Porcelain Grills, Grease Drain Pan and the Heat Baffle.
2. Remove all unburned pellets and ash from inside and around the Firepot. (See instruction for proper handling and disposal of ash)
3. Plug the Power Cord and turn on the grill. Pellets should fall into the Firepot and the Hot Rod should begin to heat (it will start to turn red).
4. If this step is successful, you will see flames come out of the Firepot. Then turn off the grill and let it cool down. Then place components back in place. Open the lid and turn the Temperature Dial to SMOKE. A few minutes later, when you see whitish-gray smoke coming out of the grill then close the lid and turn the Temperature Dial to any cooking setting desired.
5. If this step is not successful, see TROUBLESHOOTING or contact Z GRILLS Technical Support to help diagnose the problem. DO NOT PROCEED TO THE MANUAL LIGHTING INSTRUCTIONS.

1. Manual Lighting Instructions:

The grill can still be used to cook and smoke by using the MANUAL LIGHTING PROCEDURE:

1. Turn OFF the appliance and unplug the Power Cord. After the grill cool down, disconnect the Hot Rod (Purple/White wire pair as shown in the WIRING DIAGRAM) from beneath the Pellet Hopper. Also, remove the Hopper Bottom Panel to access the wiring. Once the Hot Rod is disconnected, replace the Hopper Bottom Panel and plug the Power Cord into a grounded outlet.
2. Fill the Pellet Hopper with pellets. (Note: Only Dia 6MM Pellets can be used.)
3. Remove the Porcelain Grills, Grease Drain Pan and Heat Baffle, then pour 1/2 cup of pellets into the Firepot.
4. Squirt 2 tablespoons of Alcohol Gel fire lighter into the Firepot on top of the Pellets.
DANGER: Never use gasoline, kerosene, lighter fluid or similar liquids to light a fire in this grill.
5. Carefully light the Alcohol Gel with a fireplace match or a long-reach butane lighter.
DANGER: Never squirt Alcohol Gel into a burning fire or a hot Firepot. The Alcohol Gel bottle could explode and cause a fire, serious injury or death.
6. Let the Alcohol Gel and Pellets burn for approximately 4 minutes.
7. After assuring the Pellets have ignited. Now there is a fire in the Firepot so SUBSEQUENT START-UP you should be careful not to burn yourself when you place components back in place.

8. Turn on the grill and turn the Temperature Dial to any setting desired. With the lid closed, preheat the grill for 10 minutes before placing food.

2.Shutdown Cycle

- Auger turns off
- Fan continues to run for 5 minutes

After finished cooking, turn the Temperature Dial to Shutdown Cycle position, the function of this setting to leave the Draft Induction Fan running for 10 minutes to burn redundant pellets in the fire pot. After the fan runs for 10 minutes the fan will stop running and the controller will power off.

CAUTION: The main power switch will shut the power off to the controller and the Temperature Dial Knob switch will cut off power to the grill components only. When servicing the controller or any parts, ensure that the power supply is disconnected to avoid a shock hazard.

Error codes:

LEr (Low Temperature Alarm)

- Grill temp was below 150F for more than 20 minutes.

HEr(High Temperature Alarm)

- Grill temp reached 550F.

Er1

- Check to ensure the temperature probe is properly connected.

Er2

- Shut off the grill, wait three seconds and restart. This will reboot the controller and fix the problem. If that doesn't work they should call customer service

ALWAYS TURN THE UNIT TO SHUTDOWN ON THE CONTROL PANEL WHTN GRILLING IS COMPLETED. Do not turn the switch to the Off position until the unit has completely shut down. Failure to follow this procedure may result in a fire.

OPERATING TIPS

- 1.** Just like other barbecues, the actual temperature of this grill or the cooking times will be affected by external temperature, humidity, wind conditions, quality of pellets and so on.
- 2.** It is better to shelter your grill from the wind, this will aid in temperature output, heat retention and heat recovery time when opening the grill lid.
- 3.** Do not open the lid frequently, it will increase your cooking time. You can open the lid when you want the grill to cool down quickly.
- 4.** Please preheat the grill for 10 minutes before placing food. This makes your grill to heat up and quickly return to your desired temperature once your food is placed. Otherwise it will take a longer period of time to bring both the grill and the food to your desired cooking temperature.
- 5.** Never move your grill while running.
- 6.** Never put water into the Pellet Hopper or Firepot.
- 7.** Never add pellets to Firepot directly. It is dangerous. If you run out of pellets and lose your fire while cooking, let the grill cool down and start again with the INITIAL FIRING INSTRUCTIONS.
- 8.** We recommend you cover your Grease Drain Pan with heavy-duty aluminum foil and change it frequently. This is the simplest way to maintain your Grease Drain Pan. Failure to clean the Grease Drain Pan, V-shaped Grease Drain and Grease Drain Tube may cause grease fires. If this situation happens, turn the Switch OFF(O) to reduce the amount of oxygen in the Chamber and keep the lid open until the fire is completely out. AT THE SAME TIME, BE CAREFUL NOT TO BURN YOURSELF. When the grill is completely cool, clean any grease accumulation from the V-shaped Grease Drain and the Grease Drain Pan. Replace the foil on the Grease Drain Pan. Then restart the grill and resume cooking.

MAINTENANCE & CLEANING

Your Z Grills also needs your maintenance.

Make sure your grill is OFF and cold completely before performing any maintenance and cleaning.

Grease:

- With long-term use, it caused the accumulation of grease on the Flue Lining, the Grease Drain Tube, the V-shaped Grease Drain and the Grease Drain Pan. Always be sure these grease catch area is clean and free of debris. You should check and clean these area periodically to reduce the risk of fire.
- Our design of the Grease Basket allows you to easily replace disposable paper cups without cleaning.
- It is easier to clean of accumulated grease when the grill is still warm -- not hot. Be **Careful Not To Burn Yourself**. Gloves are recommended.

If too much grease is allowed to build up in the V-shaped Grease Drain or is allowed to plug the Grease Drain Tube, a grease fire could result. So it is necessary to clean these area regularly. You can scarp the grease accumulation from inside the V-shaped Grease Drain and Grease Drain Tube by using a stiff, nonmetallic tool. Much of the loosened grease can be push down through the Grease Drain Tube and fall into the Grease Basket. Wipe up remaining grease residue with paper towels or disposable rags.

Flue Pipe(Smoke Stack)

- Remove the Chimney Cap Assembly, clean it with warm soap water. Scrape the creosote and grease accumulation from inside of the vertical and horizontal sections of the Flue Pipe using a stiff, nonmetallic tool such as a wooden paint stir stick. Once the creosote and grease residue has been loosened from the Flue Pipe Lining, much of it can be cleaned with paper towels or disposable rags. Do not spray water or other liquid cleaners onto the inside of the grill.

Outside surfaces

- Use a warm soap water to wipe the grease. Do not use oven cleaner, abrasive cleansers or abrasive cleaning pads on the outside grill surfaces.
- Use Z Grills Cover to protect your grill is highly recommended.
- Use a high-quality car wax on the outside surfaces of the grill can protect your paint finish.

Internal component

- For the Porcelain-coated Grill Grates, we recommend using a long-handled cleaning brush to give the Porcelain-coated Grill Grates a quick brushing when you finish the barbecue. It takes only a minute and it will be ready the next time you want to use the grill.
- Clean the inner temperature probe after each time use.

Ash

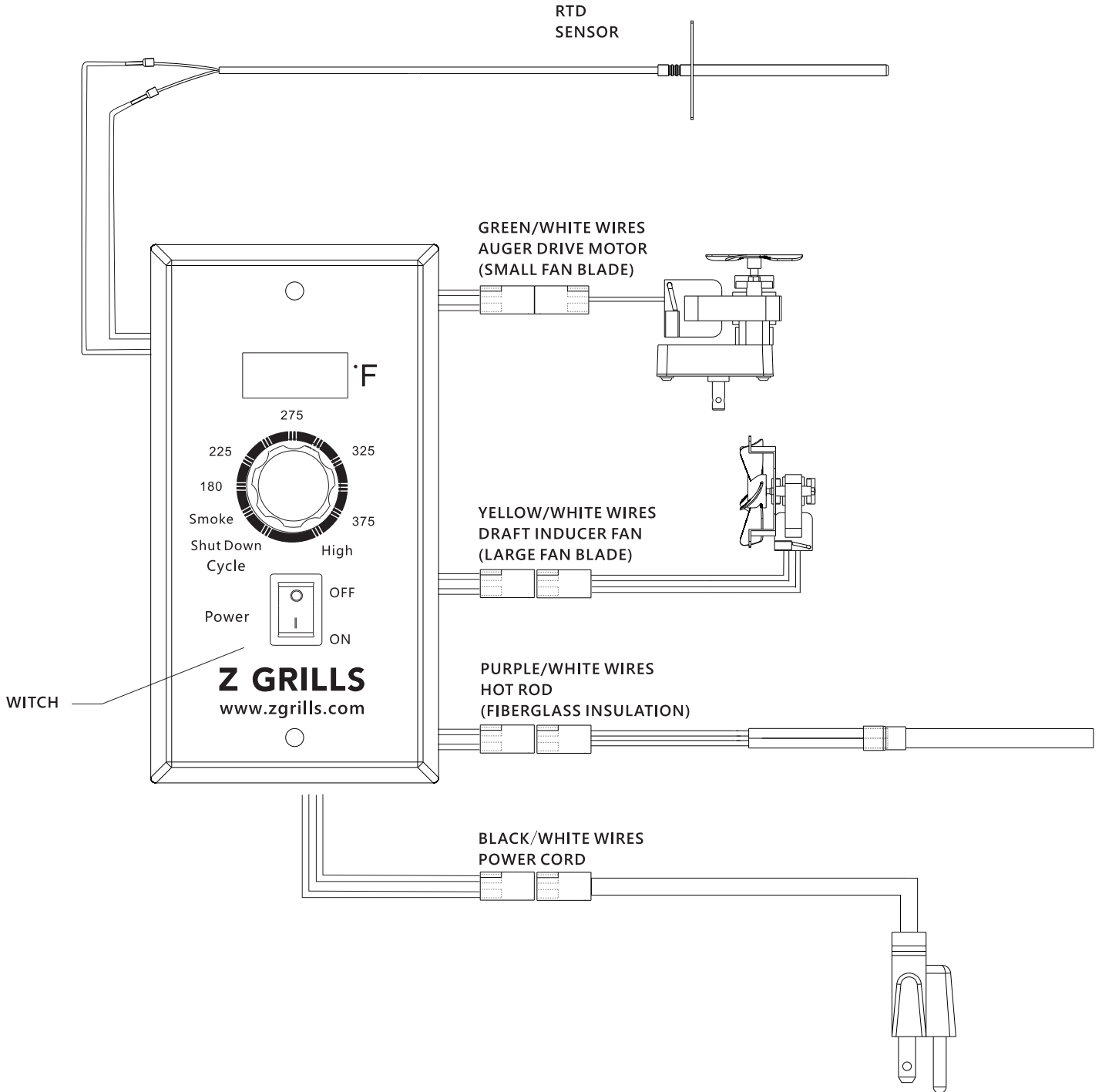
Clean the ash from the interior of the grill periodically, otherwise excess ash in the fire-pot may cause your fire to go out, especially in the SMOKE setting. A shop vac is an excellent tool to handle the ash. (WARNING: Make sure you grill is cold when you want to clean the ash from the grill.)

TROUBLESHOOTING

CAUTION: Make sure the grill is completely cool and unplugged before you do any inspection, cleaning, maintenance or service work.

| Problem | Potential Cause | Solution |
|---|---|---|
| Grill does not work properly | Power | Make sure the power cord is plugged in. Verify there is power at the electrical outlet. |
| | Fuse | Remove the control, check the fuse on back. Replace the fuse if blown. |
| | Hot Rod | If both of the Draft Inducer Fan and the Auger Driver Motor are operating, the Hot Rod needs to be replaced. If one or both are not operating, please contact us. |
| | Control Board | Remove the Control Board, check the wires and connections. Feel free to contact us if you need help. |
| | Auger Drive Motor | Locate the small fan blade on the back of the auger drive motor, turn unit on, if the fan does not turn, it indicates the Auger Drive Motor need to be replaced. |
| Fire goes out | Too much ash | Clean the ash. Refer to MAINTENANCE & CLEANING. |
| How to start | SMOKE setting | Start your grill on SMOKE setting with the lid open, after 2 minutes, close the lid and turn to any cooking setting desired. |
| Unexpected grill temperature is displayed | External Factor | Grill temperature is influenced by environmental factors such as high temperature, wind and direct sun. Place unit in shaded area. Open the lid to reduce inside temperature. |
| Excess or discolored smoke | Pellets | Replace moist pellets with fresh dry pellets. |
| Get your new parts | Contact Z Grills Customer Service to place an order | Please state your authorized dealer, your name, phone number, address, Z Grills model number, serial number, and part identification number from the COMPONENT LIST. |
| | Contact your Z Grills dealer | |

DIGITAL THERMOSTAT CONTROL WIRING DIAGRAM



Z GRILLS SUPPORT

Thank you for shopping with us!

If you have any question, feel free to contact us or your dealer.

Z GRILLS INC. will offer the best technical and sales support in the industry.

Please be prepared to provide the following information:

- Dealer's name, date of purchase
- Purchaser's name, phone number, address, Z Grills model number, serial number ,and part identification number from the COMPONENT LIST
- Please describe your problem accurately so that we can help you figure out. It would be better if you can provide some pictures or video about the issue.

Z GRILLS CUSTOMER SERVICE
MON TO FRI, 8:00 AM - 5:00 PM PACIFIC STANDARD TIME
SERVICE CONTACT: 1-785-317-5170
EMAIL: info@zgrills.com/support@zgrills.com
WEBSITE: www.zgrills.com

Z GRILLS 3 YEARS LIMITED WARRANTY

Z Grills Inc guarantees a 3 years warranty of our products from the date of purchase by the original owner against defects in all materials and workmanship. During the warranty period, Z Grills Inc will at its option repair or replace the defective parts.

This limited warranty does not apply to paint, burn pot, grill cover or damage caused from corrosion. Z Grills shall not be liable for transportation charges, labor costs or export duties.

Z Grills takes every precaution to utilize materials that retard rust including the use of high-temperature paint where advisable. Even with these safeguards, the protective coating can be compromised by various substances and conditions beyond Z Grills' control. Humid environment, high temperature, chlorine, insecticide, salt and disinfectant are some of the substances that can affect paint and metal coatings. For these reason, the limited warranties do not cover rust or oxidization, unless there is loss of structural integrity on the grill component.

Z Grills Inc shall not be liable if you install, operate, clean, and maintain your grill without following the owners' manual strictly. Also misuse, abuse, alteration and natural disaster are not included in this warranty.

In addition, Z Grills Customer Team will try our best to solve a variety of problems and create a better life for every customer. We firmly believe that: high-quality products, reasonable price, quick service is your first reason to choose Z Grills.

Procedure for Warranty Service

Contact Z Grills Customer Service or your dealer for replacement of your “in-warranty” parts. Please be prepared to provide the following information:

- Dealer's name, date of purchase

Purchaser's name, phone number, address, Z Grills model number, serial number and part identification number from the COMPONENT LIST

Please describe your problem accurately so that we can help you figure out. It would be better if you can provide some pictures or video about the issue.