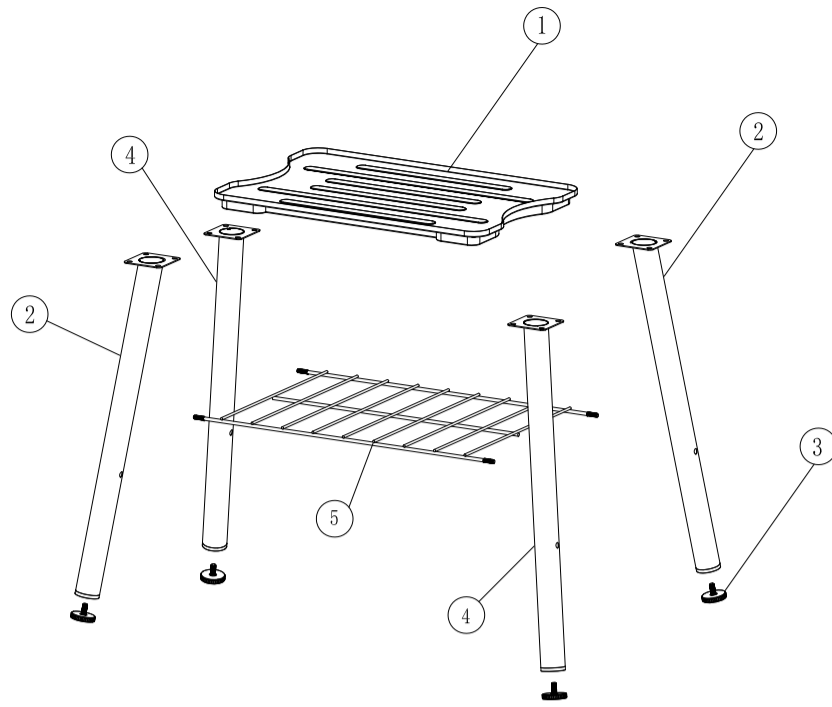
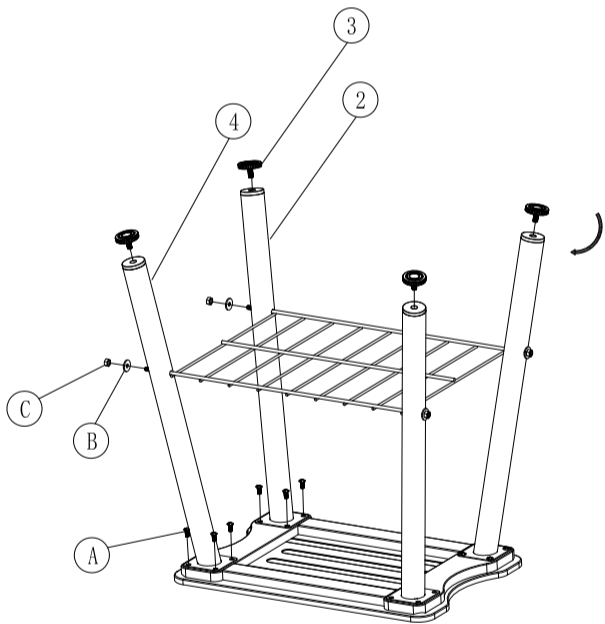
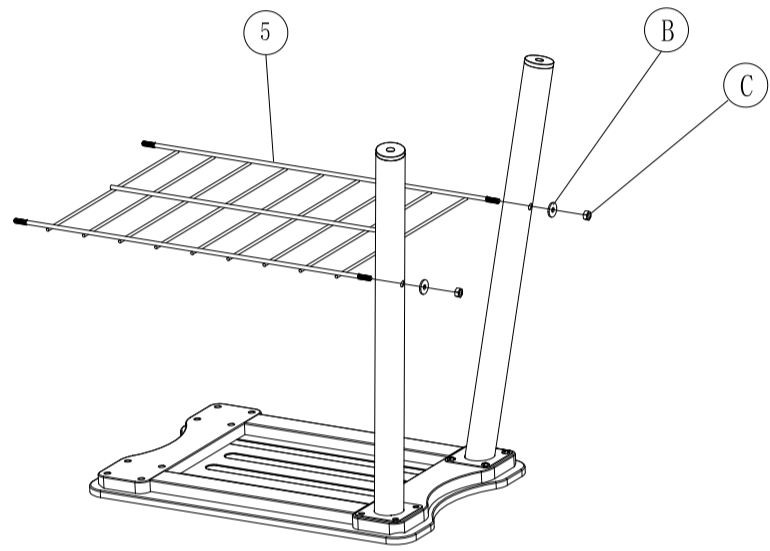
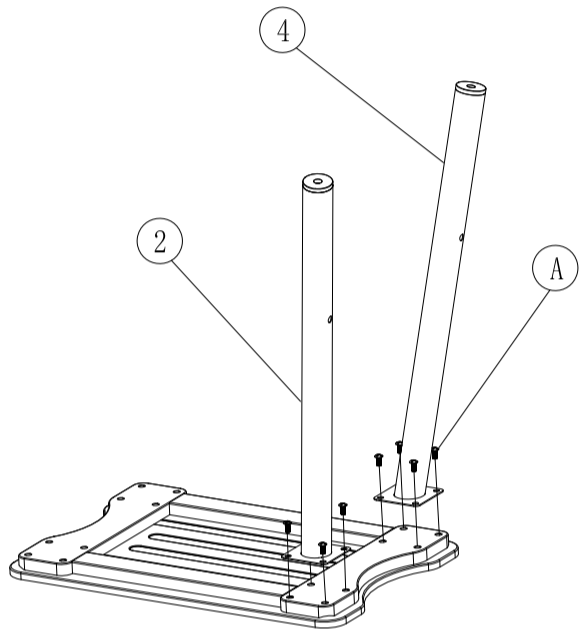


PARTS DIAGRAM



Step :



MOUNTING THE FOOT SUPPORT FOR ZPG-2002A/300A

1. Secure Legs (2)(4) on the Bottom Plate (1) with Bolt (A).
2. Attach the Bottom Grate (5) on Legs by using the Bolt (C) and Gasket (B).
3. Repeat step1 and step 2 for another legs. Use Wrench to tighten. Tighten the Tube Plugs (3) on the legs clockwise. If the ground is uneven, you can adjust the tube plugs.