

INSTALL DIRECTION



WS-300



WS-300A



WS-301



WS-301A



WS-302



WS-302A



Do not dispose this product as unsorted municipal waste. Collection of such waste separately for special treatment is necessary.



Sanitary Ware Expert
Your best choice!

Dear users:

Thanks for choosing our products, for the purpose of safety, please read this manual carefully before use.

The instruction manual be the same with the following steam room:

- WS-300/A
- WS-301/A
- WS-302/A
- WS-303/A
- WS-304/A

ATTENTIONS

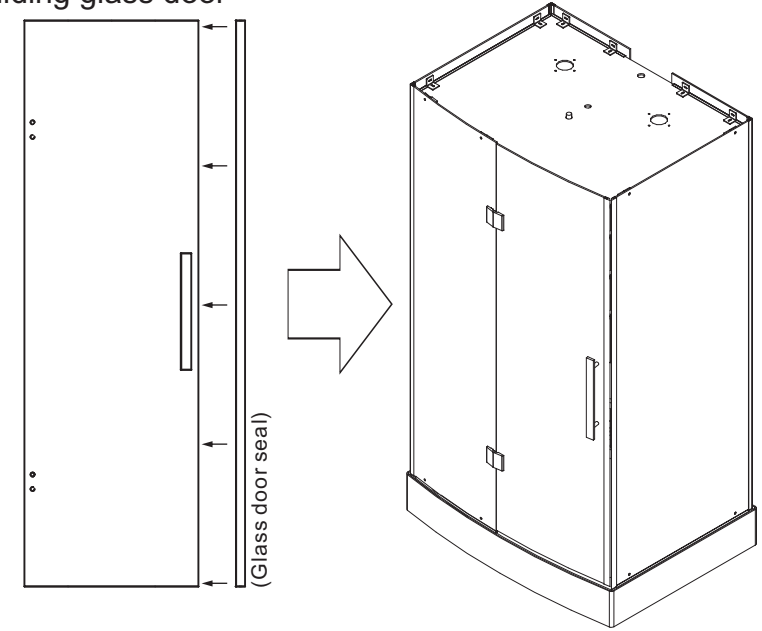
1. It is recommended to fix a reliable leakage protector and earth line. Test the leakage protector every time before use.
2. Drunk, high blood pressure, heart disease people are not allowed to use this product, Children should be guided by adults.
3. Adjust the water temperature before taking shower, don't spray hot water to your body. Steam outlet and drain pipe may be in high temperature, keep away from them.
4. Watch out to avoid falling down when entering the steam room, don't put hands into the door gap.
5. Please don't use hard wares to knock at the steam room.
6. Clean the tray after taking shower, to remove the soap or foam on the tray.
7. If the glass seal separate from the door, please refix it to avoid leaking water.
8. Use the tooth paste to clean the dirt on the tray.
9. Keep the tray clean to avoid blocking the drain.
10. Please don't hang heavy articles on the steam room or handrail.
11. After use, please turn off water and power supply, to avoid long time working of the product.
12. Please dispose of the product according to the local law when it is out of use.
13. Please contact the dealer if you have any problems.

TECHNIQUE PARAMETER

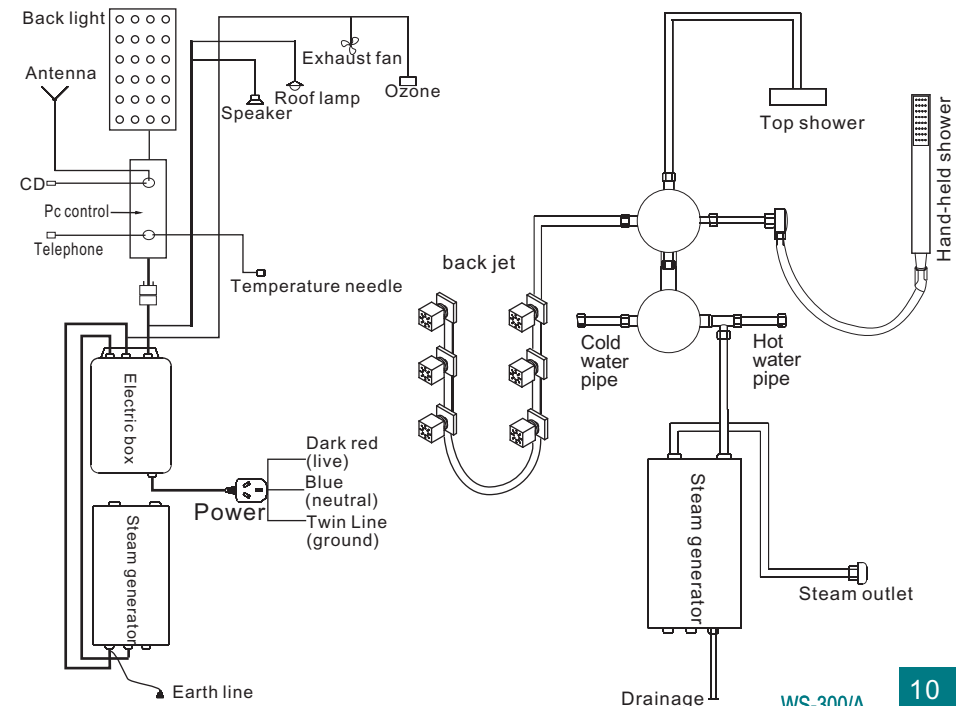
Voltage	Frequency	Water Volatge	Power of steam generator
AC220V (±10%)	50/60Hz	0.1~0.2Mpa	3KW

8、Install the gliding glass door

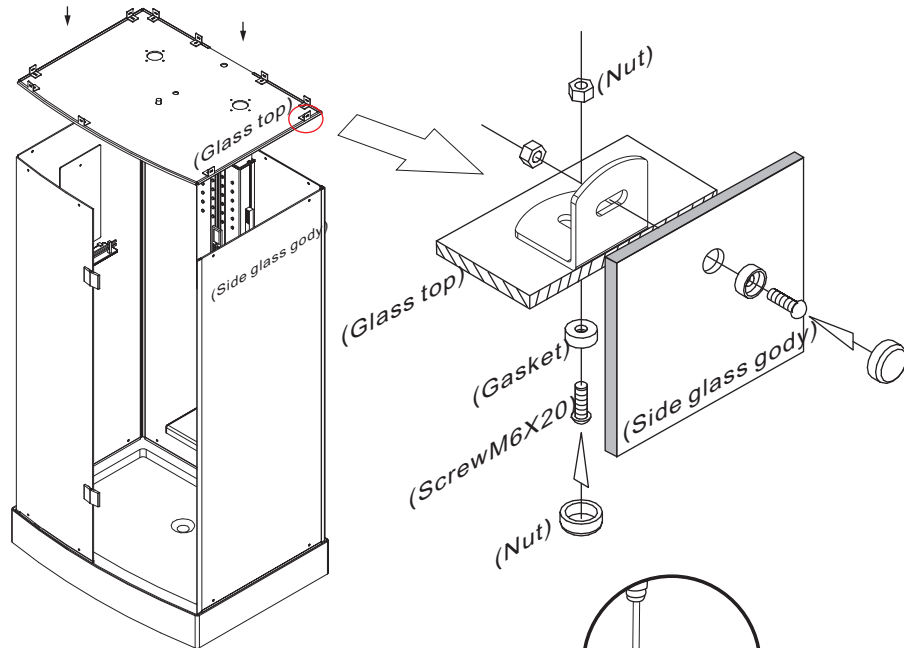
1. Adjust the tray to be horizontal by a horizontal meter.
2. Fasten the up and down nail (no space left), at the same time keep the back and side glass body vertical to the tray.
3. Fix the hinge onto the fixed glass door, make it be horizontal to the tray.
4. Put the sliding glass door on a wood a little higher than the tray, then fix it with the hinge.



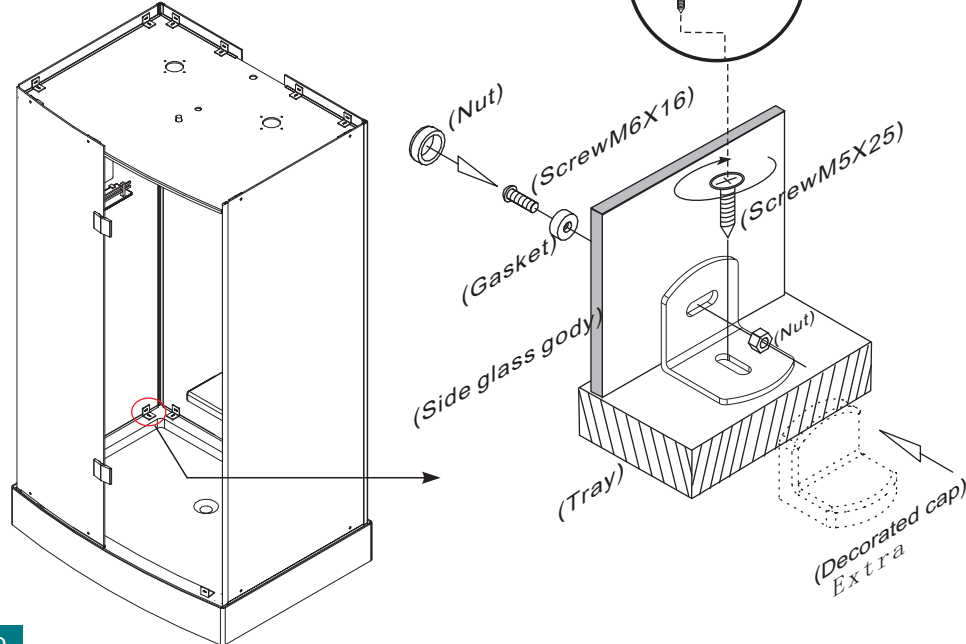
WATER AND ELECTRIC CIRCUIT SKETCH



6. Install the glass top

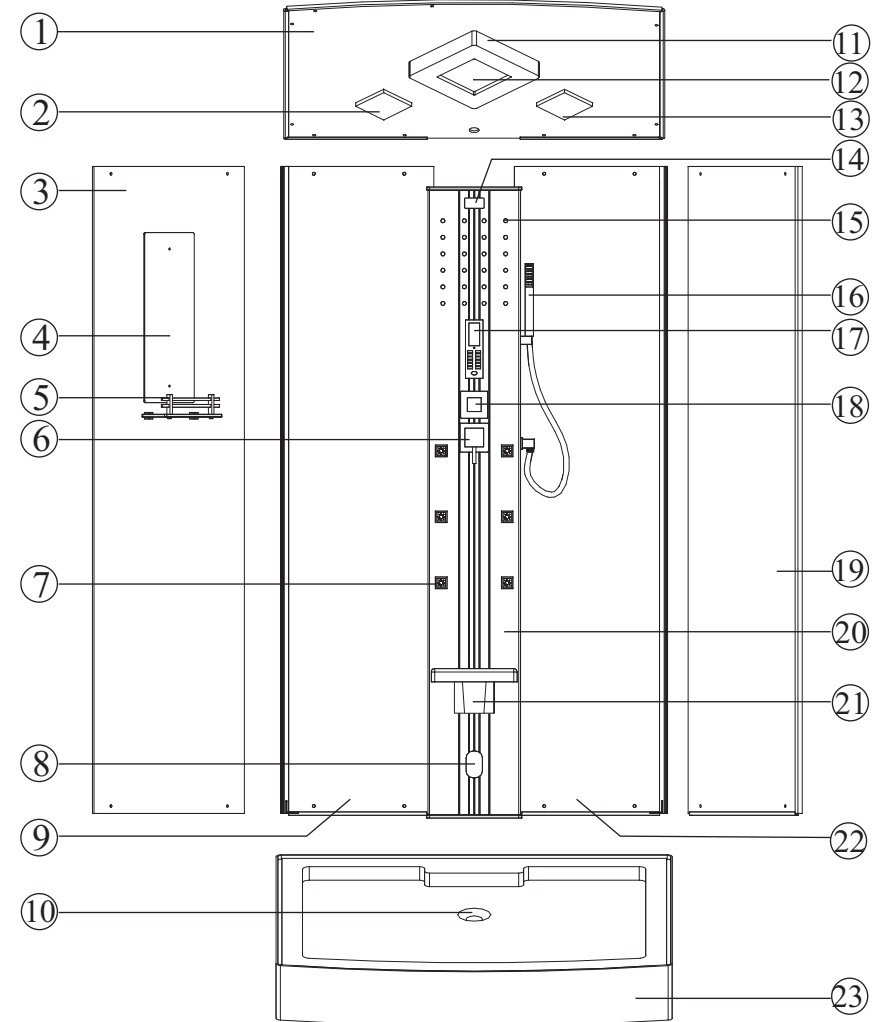


7. Fix the nail



300/300A STRUCTURE SKETCH

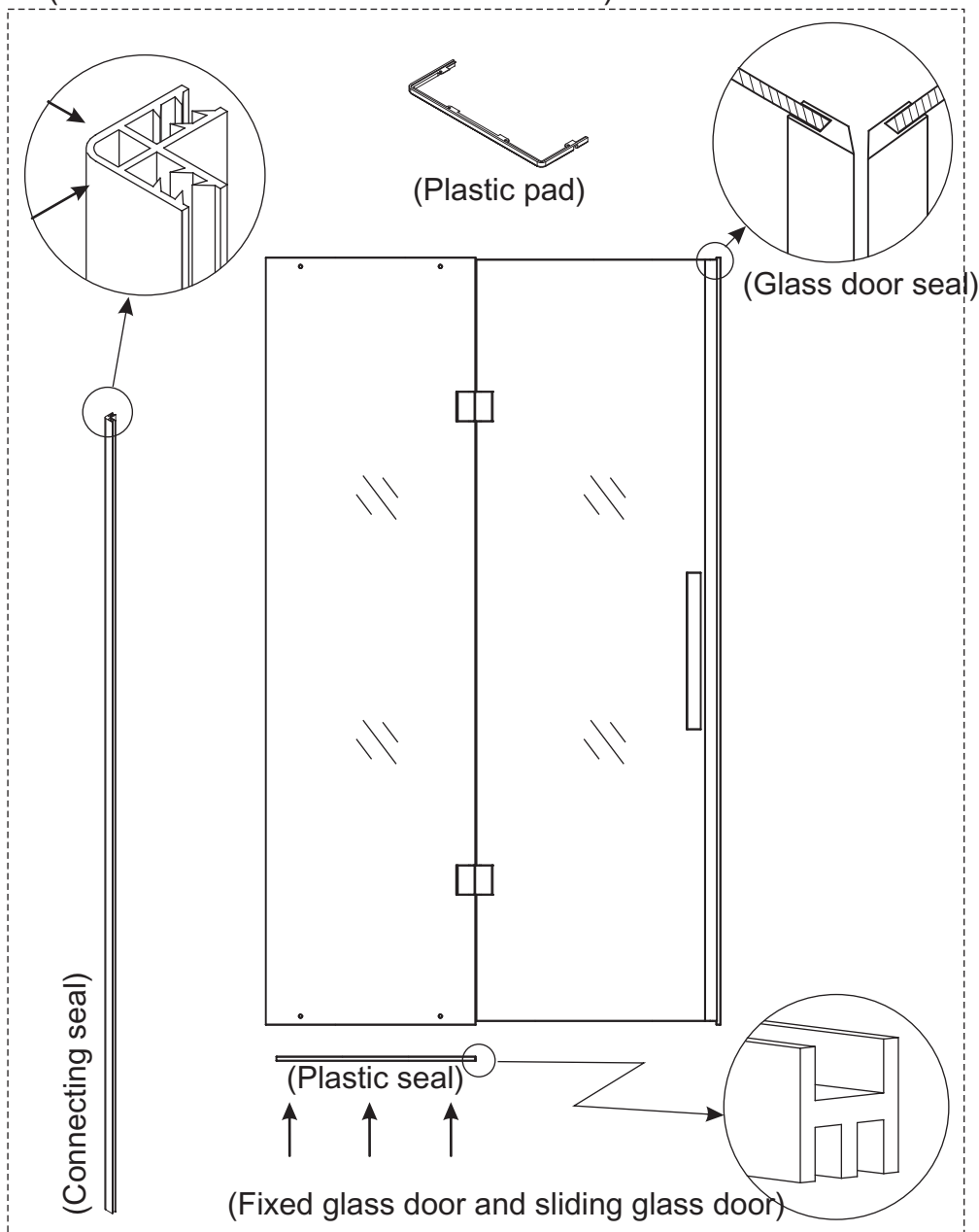
(Other models can refer to this model)



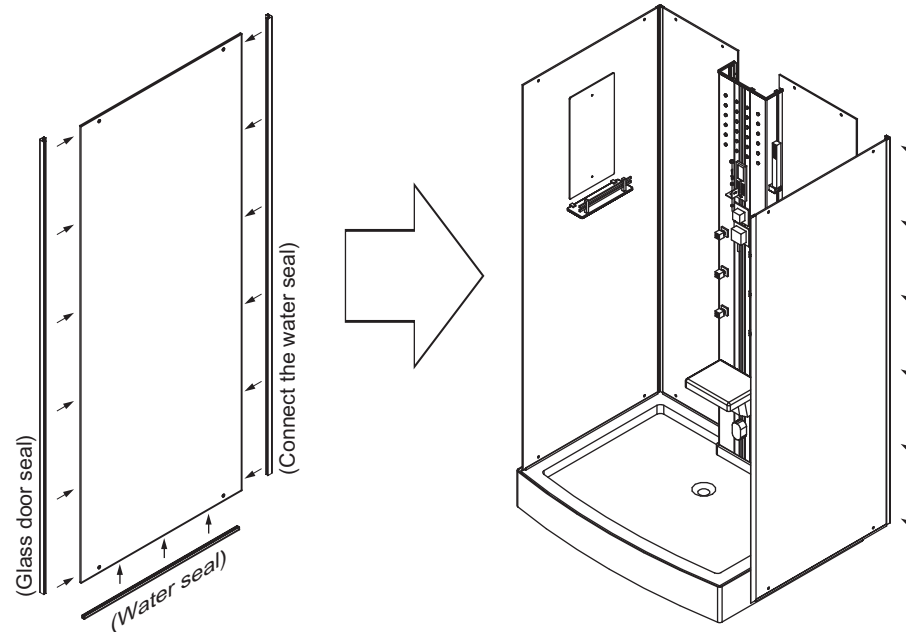
- | | | |
|-------------------|---------------------|--------------------|
| 1.glass roof | 9.glass back body | 17.control panel |
| 2.speaker | 10.drainage | 18.shift valve |
| 3.side glass body | 11.top lamp | 19.side glass body |
| 4.mirror | 12.top shower | 20.Aluminium board |
| 5.glass rock | 13.exhaust fan | 21.seat |
| 6.hot/cold mixer | 14.ozone | 22.glass back body |
| 7.squarejet | 15.wall lamp | 23.tray |
| ^ .steam outlet | 16.hand held shower | |

300/300A ACCESSORIES

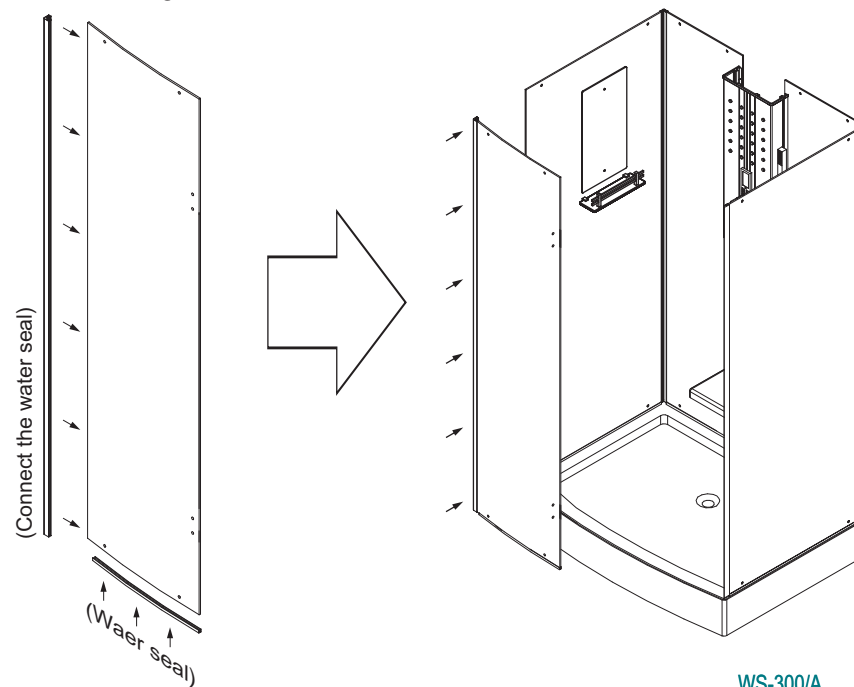
(Other models can refer to this model)



4. Install the right body



5. Install the fixed glass door



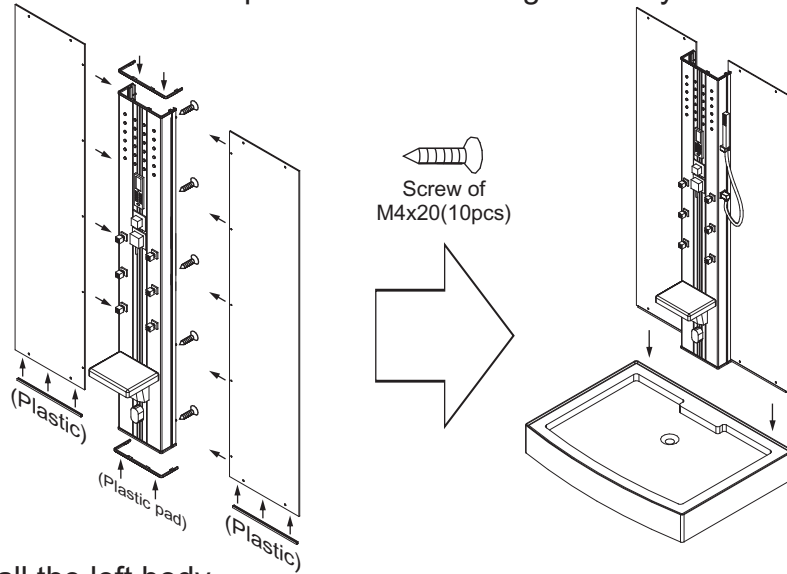
INSTALLATION PROCESS OF 300/300A

(Other models can refer to this model)

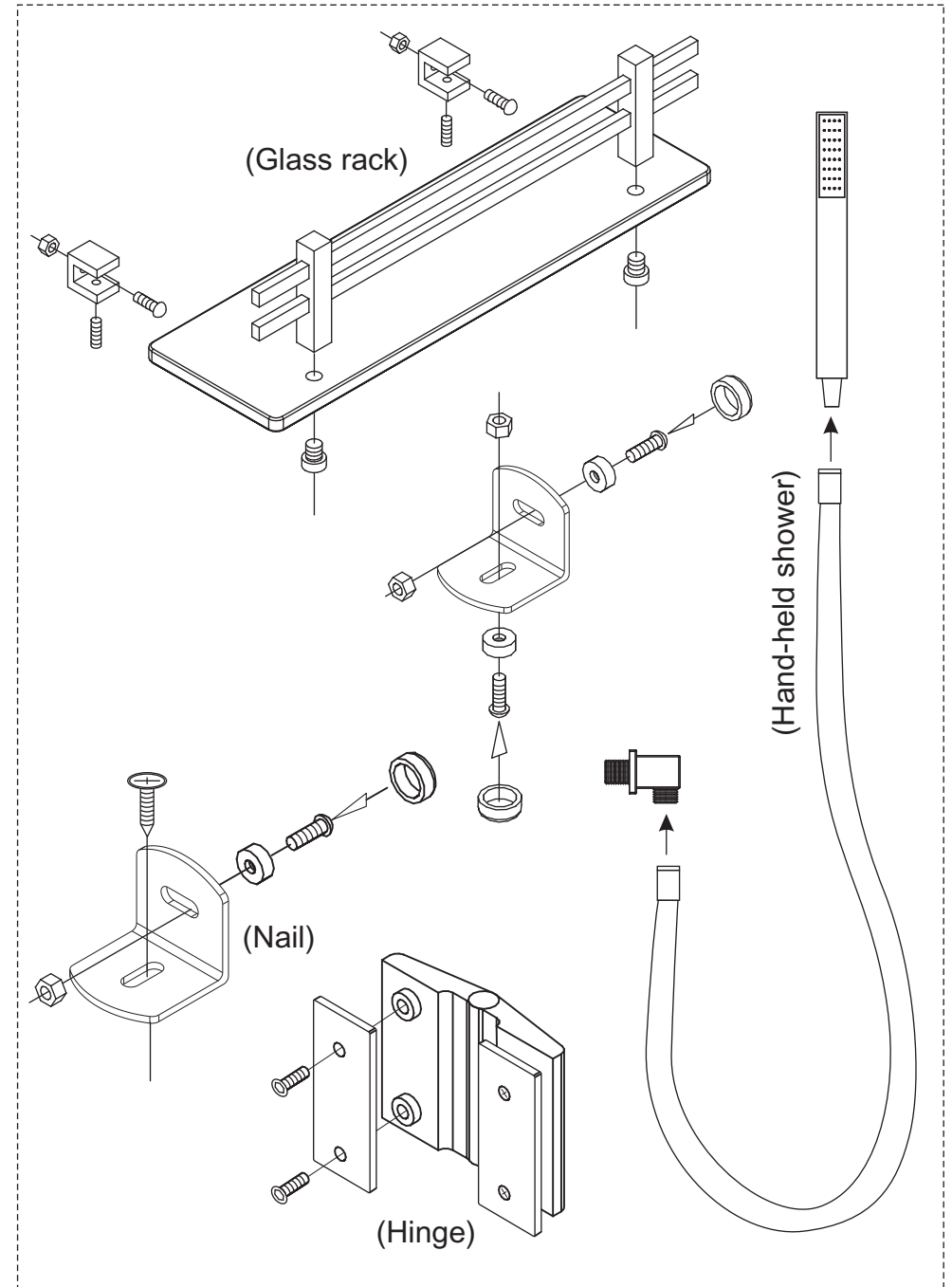
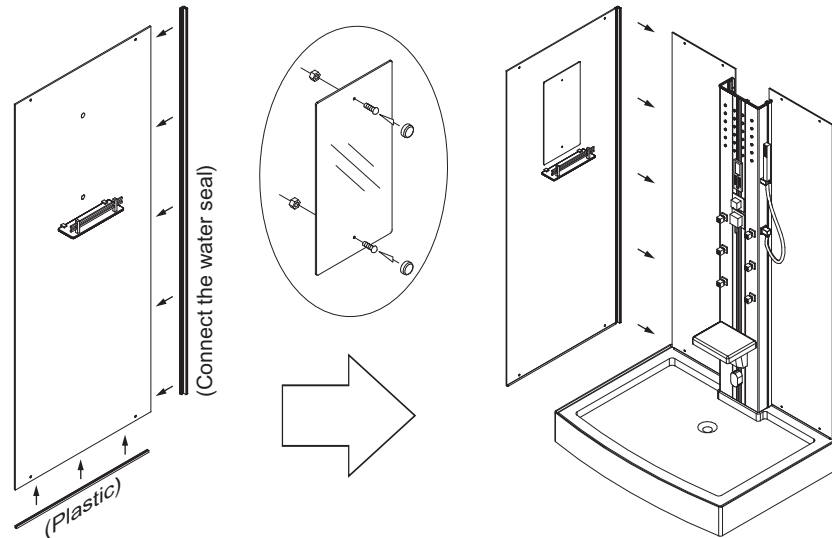
1、 Install the bottom tray:

If the ground is not horizontal, please regulate the screw of the bottom tray , make the bottom tray and ground keep competence.

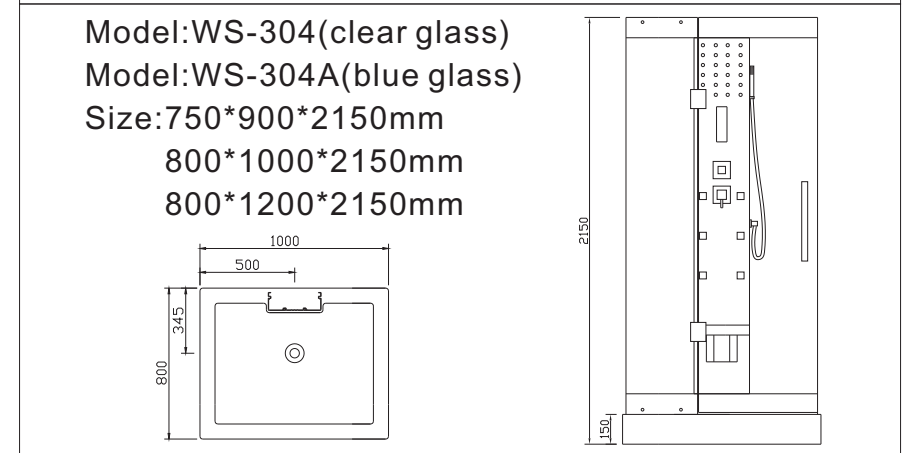
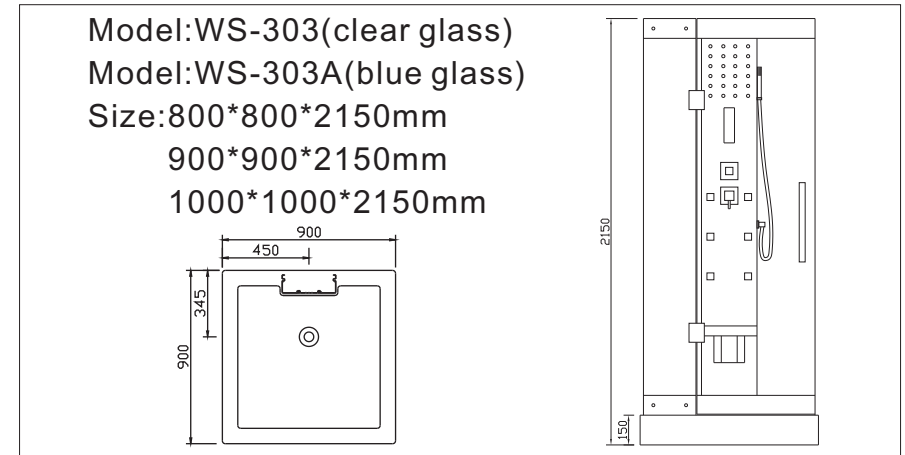
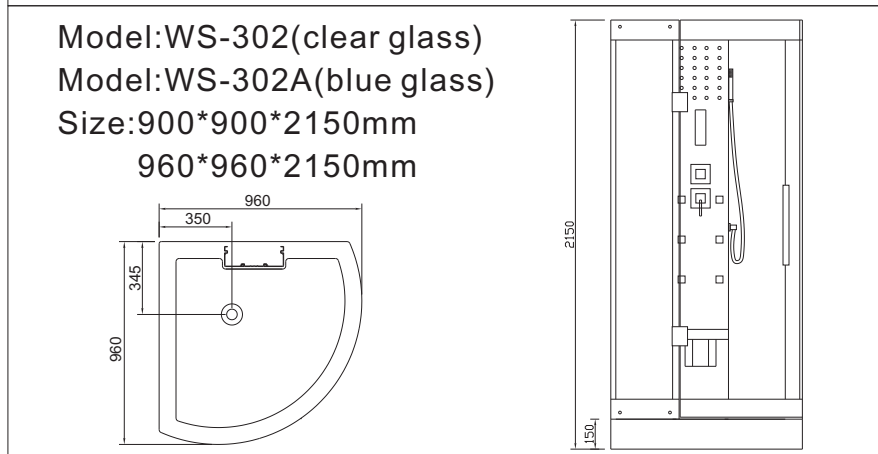
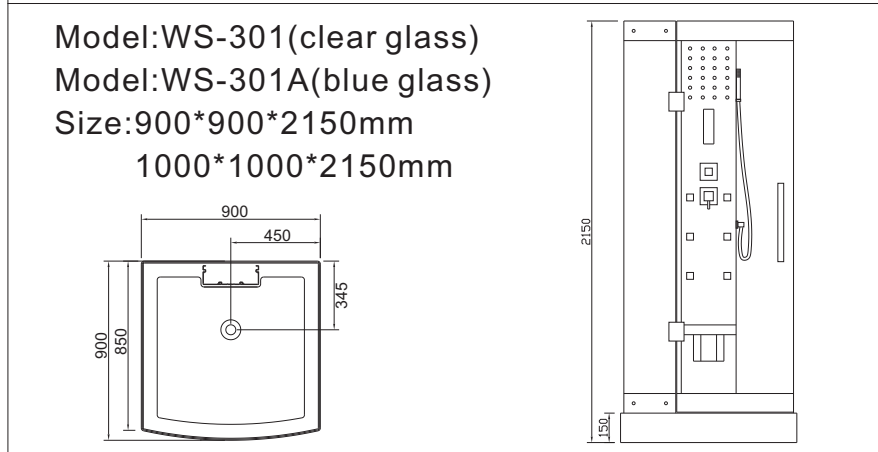
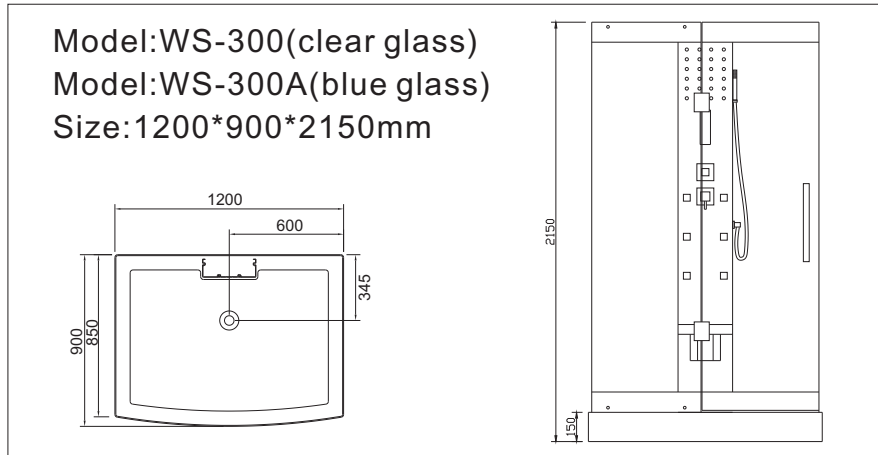
2、 Install the aluminium panel and the back glass body



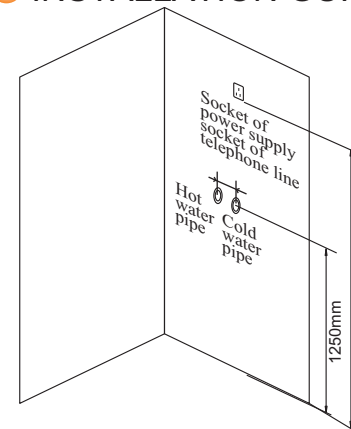
3、 Install the left body



THE DRAFT AND SIZE FOR THE DIFFERENT MODELS



INSTALLATION GUIDE



1. The plumbing and the circuit of this product must be installed by the qualified mechanic or the professional personnel who is appointed by the distributor. It is recommended to install the general switch of the power supply and the leakage protector.
2. The socket of the power supply must be installed above the steam generator; the power source wire must be long enough to reach waterproof area; the distance from the socket to the ground should be more than 1800mm.
3. It is recommended to install the general switch for cold and hot water supply, and connect the drain pipe to the limbers.
4. After the position is confirmed, assemble the steam room according to the installation sketch.