

INSTALL DIRECTION



WS-300B/D



WS-300C/E



WS-301B/D



WS-301C/E



WS-302B/D



WS-302C/E

- No advanced advice will be submit before we change our design and size.
- The pictures maybe a little different from the real products.
- Our company keep the final explanation right.



Do not dispose this product as unsorted municipal waste. Collection of such waste separately for special treatment is necessary.

*Sanitary Ware Expert
Your best choice!*

Dear users:

Thanks for choosing our products, for the purpose of safety, please read this manual carefully before use.

The instruction manual be the same with the following steam room:

- WS-300B/300C/300D/300E、
- WS-301B/301C/301D/301E、
- WS-302B/302C/302D/302E、
- WS-303B/303C/303D/303E、
- WS-304B/304C/304D/304E、

ATTENTIONS

- 1.It is recommended to fix a reliable leakage protector and earth line. Test the leakage protector every time before use.
- 2.Drunk, high blood pressure, heart disease people are not allowed to use this product, Children should be guided by adults.
- 3.Adjust the water temperature before taking shower, don't spray hot water to your body. Steam outlet and drain pipe may be in high temperature, keep away from them.
- 4.Watch out to avoid falling down when entering the steam room, don't put hands into the door gap.
- 5.Please don't use hard wares to knock at the steam room.
- 6.Clean the tray after taking shower, to remove the soap or foam on the tray.
- 7.If the glass seal separate from the door, please refix it to avoid leaking water.
- 8.Use the tooth paste to clean the dirt on the tray.
- 9.Keep the tray clean to avoid blocking the drain.
- 10.Please don't hang heavy articles on the steam room or handrail.
- 11.After use, please turn off water and power supply, to avoid long time working of the product.
- 12.Please dispose of the product according to the local law when it is out of use.
- 13.Please contact the dealer if you have any problems.

TECHNIQUE PARAMETER

Voltage	Frequency	Water Volatge	Power of steam generator
AC220V(±10%)	50/60Hz	0.1~0.2Mpa	3KW

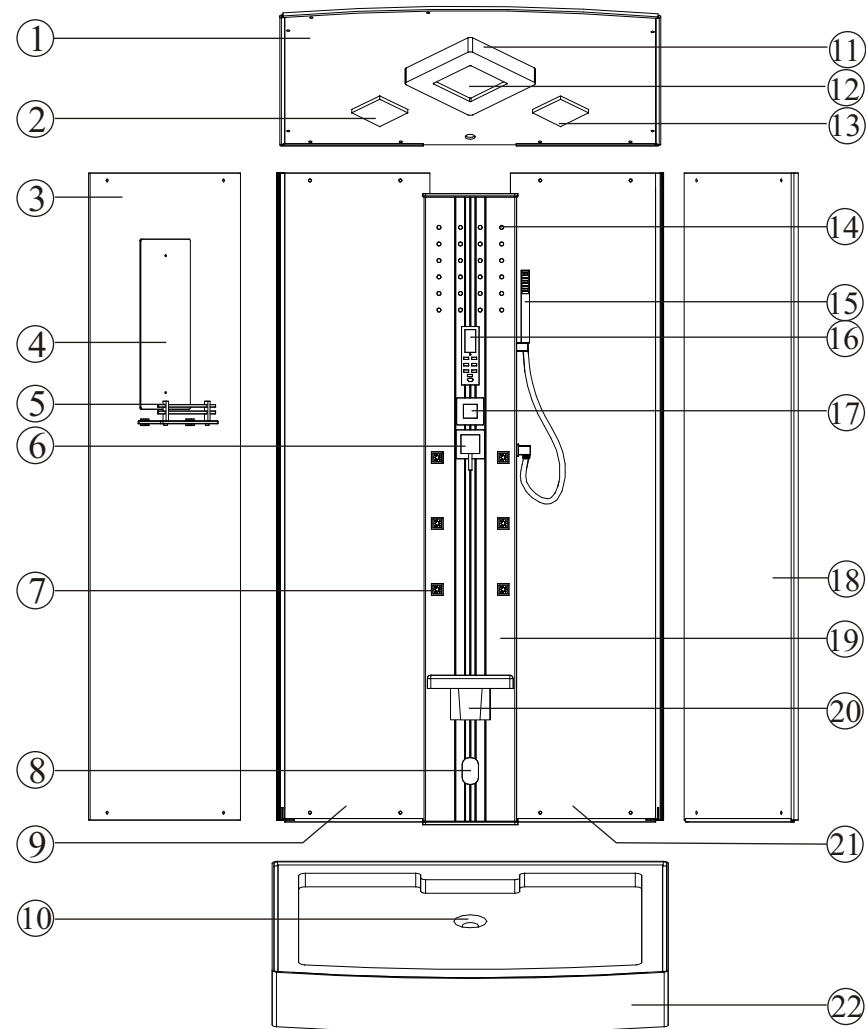
MAINTENANCE RECORDS

Date	Problems	Trouble shootings	Mechanic

● BREAKDOWN PHENOMENON AND SETTLEMENT

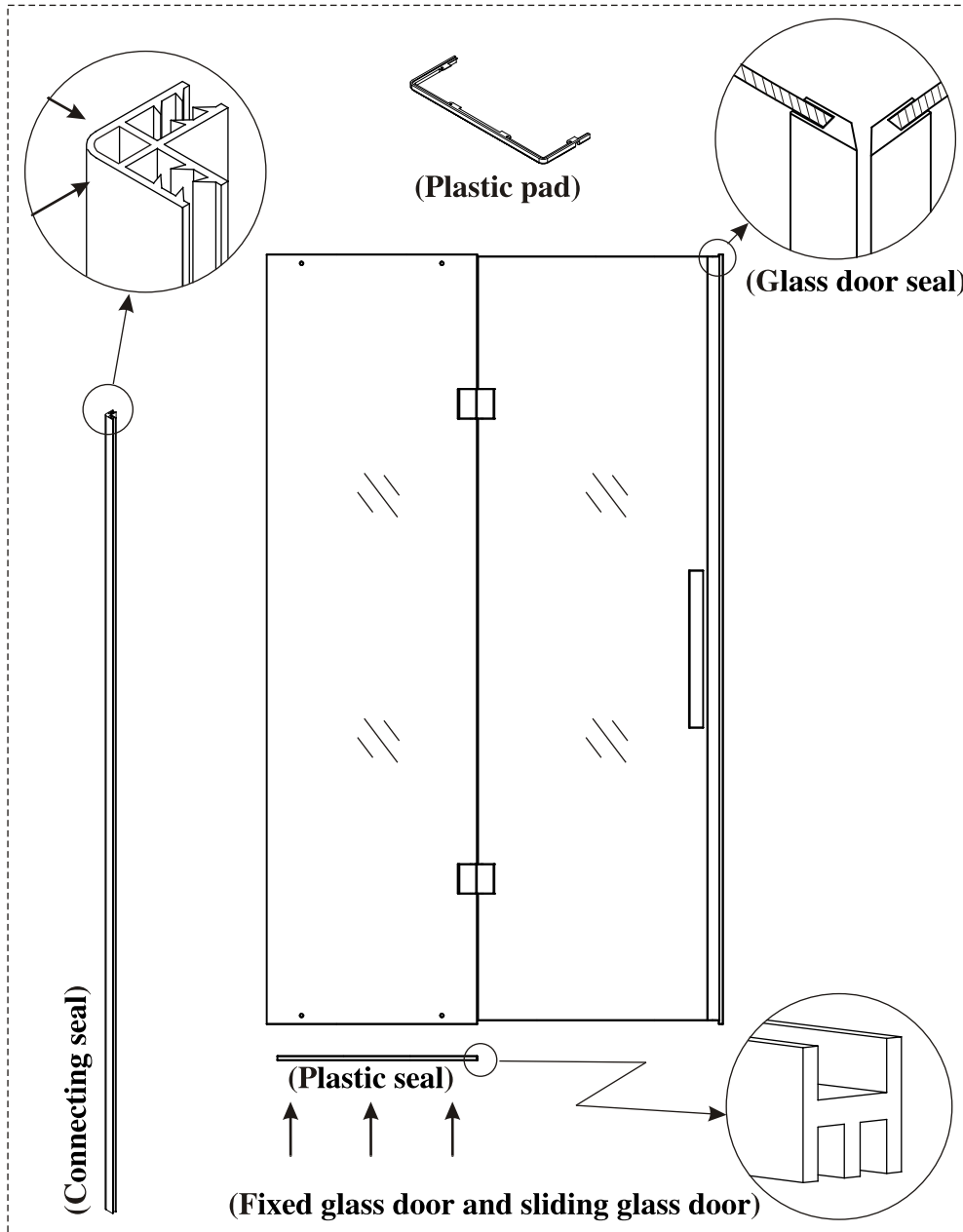
Phenomenon	Reasons	Maintenance
Without steam	1.steam generator without water. 2.inside infrared pipe burn out of steam generator. 3.block of steam spray mouth. 4.probe out off control. 5.the temperature inside steam room is over the temperature what were set. 6.after fill into water it is still not the time for steam working. 7.it is overtime for the setting time. 8.unconnect with the control wire.	1.check if the switch of water in be turn on or not. 2.change the infrared pipe. 3.get rid of mess. 4.check the connection wire and change the probe. 5.waiting decrease the temperature. 6.be waiting few minutes. 7.adjust the setting time. 8.connect to control wire.
Water pipe leaking	1.plastic seal ring be connected untightly. 2.screws unlock. 3.connection is glued not good. 4.water pipe be damaged.	1.change the plastic seal ring. 2.screws should be installed tightly. 3.get rid of the PVC glue then stick the glue again till it is be well done. 4.change the water pipe.
Computer panel under control	1.power not be connected well,electronic leakage device without power. 2.switch of control panel out of control.	1.get through the power again. 2.change the computer panel.
Without lighting	1.bulb be burned. 2.without power. 3.switch of control panel out of control.	1.change bulb. 2.get through power gain. 3.maintain or change the computer panel.

● 300B/300C/300D/300E STRUCTURE SKETCH (Other models can refer to this model)





- | | | |
|-------------------|---------------------|--------------------|
| 1.glass roof | 9.glass back body | 16.control panel |
| 2.ozone | 10.drainage | 17.shift volve |
| 3.side glass body | 11.top lamp | 18.side glass body |
| 4.mirror | 12.top shower | 19.Aluminium board |
| 5.glass rock | 13.exhaust fan | 20.seat |
| 6.hot/cold mixer | 14.wall lamp | 21.glass back body |
| 7.squarejet | 15.hand held shower | 22.tray |
| 8.steam outlet | | |

300B/300C/300D/300E ACCESSORIES
(Other models can refer to this model)





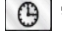
USAGE ILLUSTRATION


1. Operating manual

Please connect to the power supply. Press “” to start the system. The screen would show up relevant signal. Time is showed on the bottom left of the screen, the default time is 30 minutes; the system tray is in the middle and the room temperature is on the bottom right. When the light is on, a symbol will show on the top right. Light can be turned on when other function is on. Press “” again to shut down the system, then the ozone reactor will start automatically for 15 minutes and water will drain out from the steam box.


2. Steam

When the system turns on, press “” button to start the steam function. The screen shows up relevant symbol “”. Water stream into the steam box and hit up automatically, steam will be generated in about 60 seconds. Within the procedure, the water will fill the steam box and generate steam continuously.


“” is for time setting of the steam function. Every 2 minutes of the steam period will be increased by every single press. The screen will show up the remaining time until the steam function finished. The time range is from 10minutes to 98minutes.

“” is functioning as the temperature setting, every press will increase 5°C. The temperature range is from 30°C to 60°C and is showed on the screen.


Beside all, the steam generator is made with Dry-proved and electricity leakage protection. If there are no water inside the steam generator or any electricity wastage occurs, the steam generator will automatically turn off.

Press “” again to turn off all steam function.

3. Light

When the system is on, press “” button to turn off the top light, press again to turn it off.

4. Fans

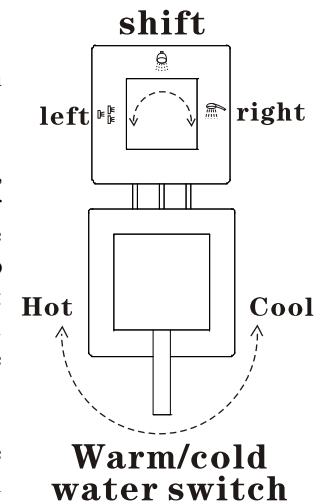
When the system is on, press “” button to turn on the fans, press again to turn it off.

5. The shower and hydro-massage

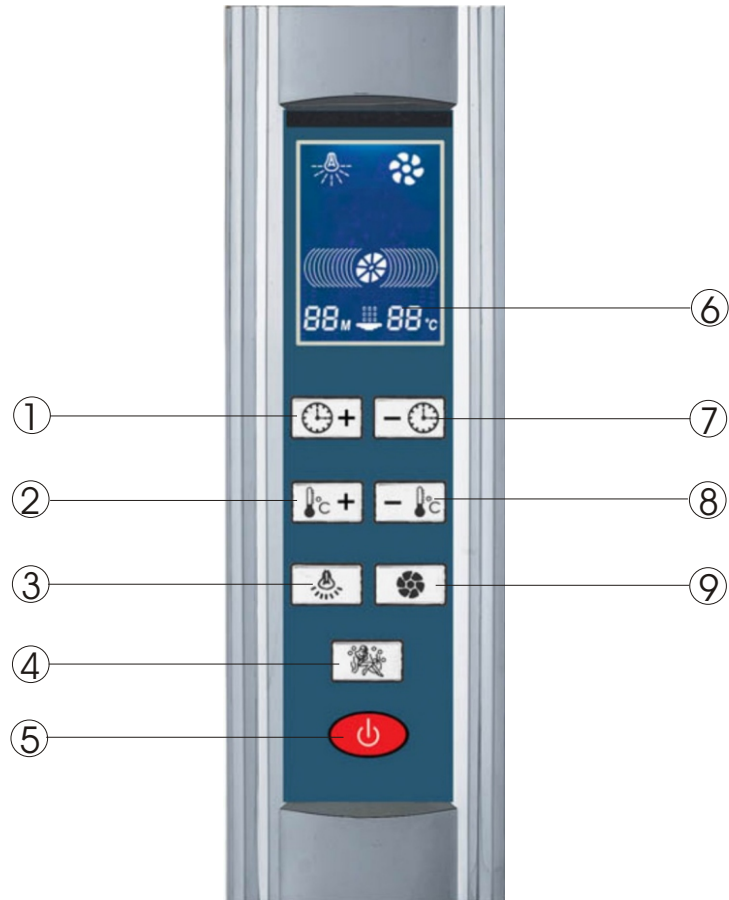
Turn on the general switch of the cold/hot water first, and then open the cold/hot water pipe switch to let water in. Adjust to get suitable water temperature, regulate the valve can get different shower functions according to your needs. The function of the valve from left to right is: acupuncture sprays massage, top shower, hand-held shower. can be used the function if rotate the valve to the right position.

6. Close the water

Please recover the switch when stopping use, close the cold and hot water switch, and then close the general switch of cold and hot water supply of the steam room.



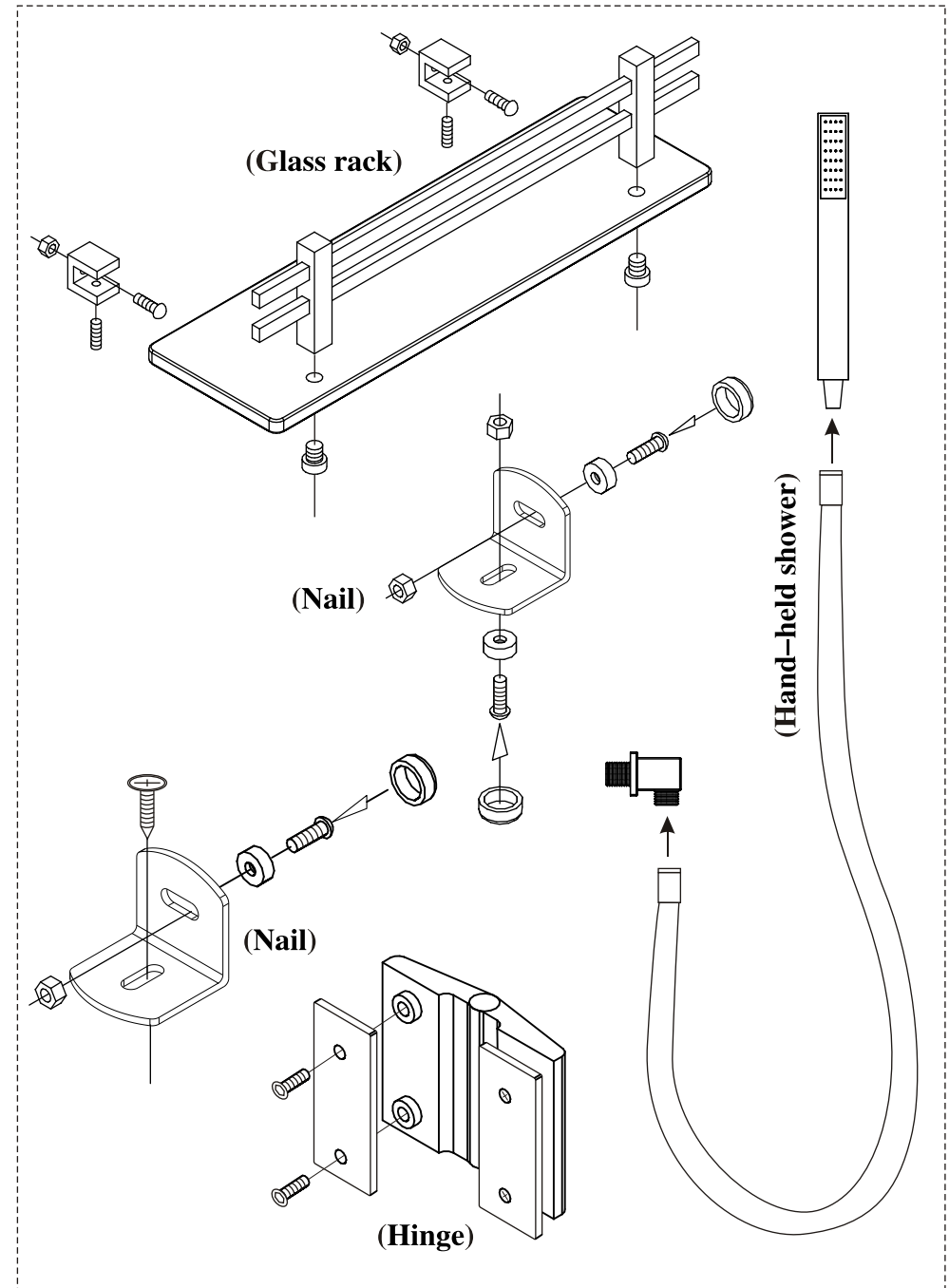
MANUAL



- 1.time setting up
- 2.teperature setting up
- 3.lamp

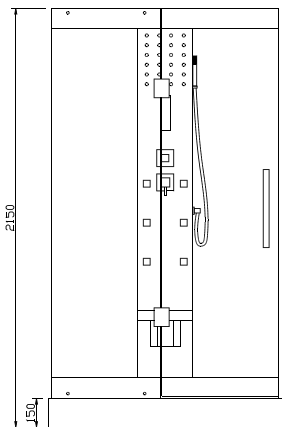
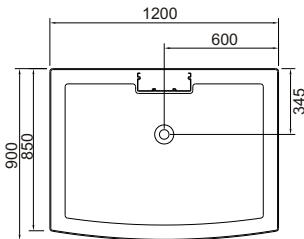
- 4.steam
- 5.on/off
- 6.screen

- 7.time setting down
- 8.temperature setting down
- 9.fans

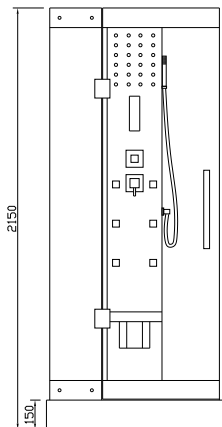
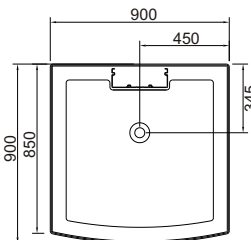


THE DRAFT AND SIZE FOR THE DIFFERENT MODELS

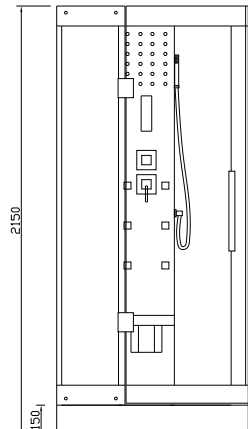
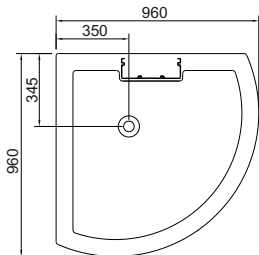
Modes:WS-300B(white ground glass)
 Modes:WS-300C(blue plating film glass)
 Modes:WS-300D(clear glass)
 Modes:WS-300E(blue glass)
 Size:900X1200X2150mm



Modes:WS-301B(white ground glass)
 Modes:WS-301C(blue plating film glass)
 Modes:WS-301D(clear glass)
 Modes:WS-301E(blue glass)
 Size:900X900X2150mm
 1000X1000X2150mm

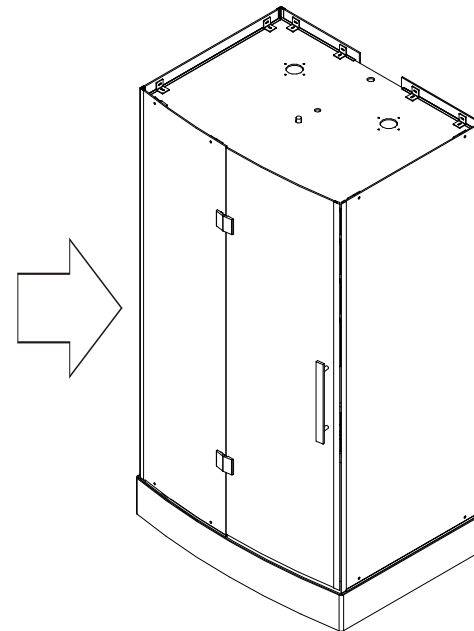
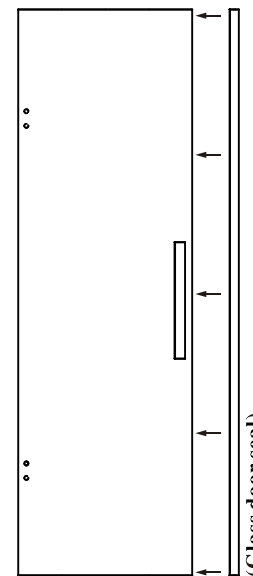


Modes:WS-302B(white ground glass)
 Modes:WS-302C(blue plating film glass)
 Modes:WS-302D(clear glass)
 Modes:WS-302E(blue glass)
 Size:900X900X2150mm
 960X960X2150mm

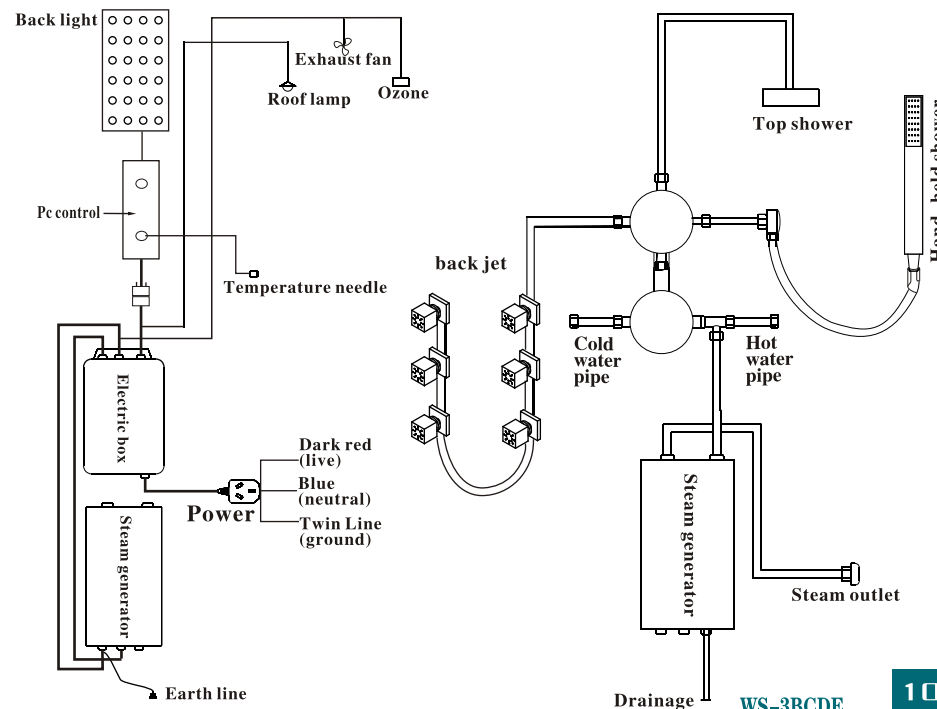


8、Install the gliding glass door

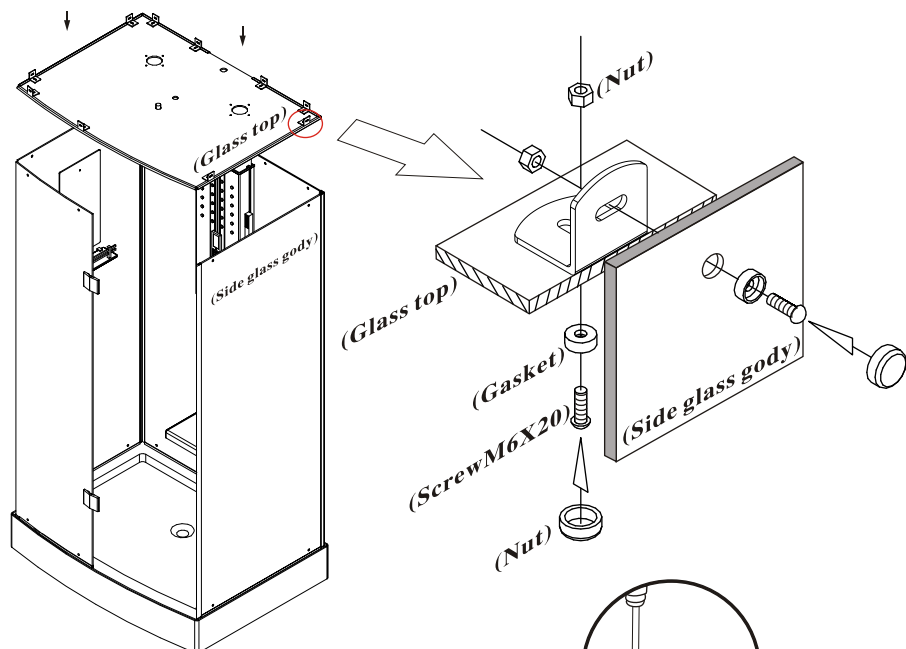
- 1.Adjust the tray to be horizontal by a horizontal meter.
- 2.Fasten the up and down nail (no space left), at the same time keep the back and side glass body vertical to the tray.
- 3.Fix the hinge onto the fixed glass door, make it be horizontal to the tray.
- 4.Put the sliding glass door on a wood a little higher than the tray, then fix it with the hinge.



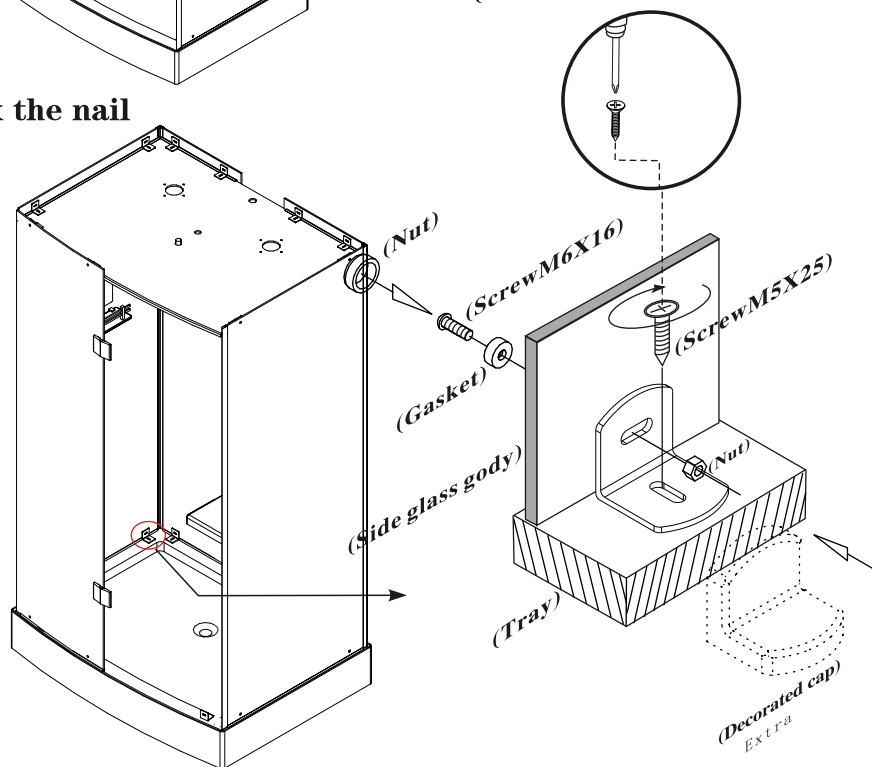
WATER AND ELECTRIC CIRCUIT SKETCH



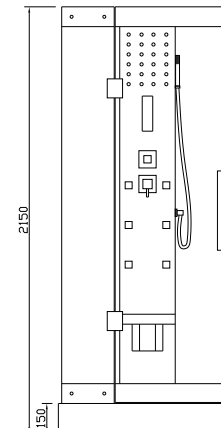
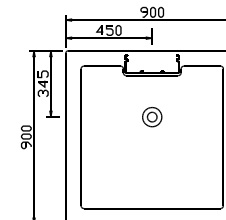
6、Install the glass top



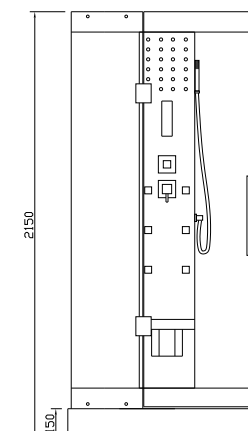
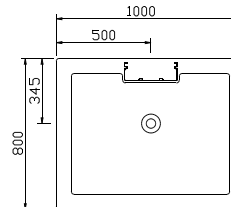
7、Fix the nail



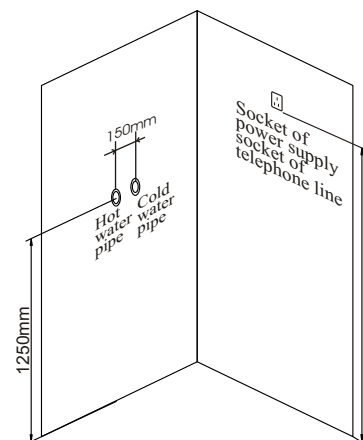
Modes:WS-303B(white ground glass)
 Modes:WS-303C(blue plating film glass)
 Modes:WS-303D(clear glass)
 Modes:WS-303E(blue glass)
 Size:800X800X2150mm
 900X900X2150mm
 1000X1000X2150mm



Modes:WS-304B(white ground glass)
 Modes:WS-304C(blue plating film glass)
 Modes:WS-304D(clear glass)
 Modes:WS-304E(blue glass)
 Size:750X900X2150mm
 800X1000X2150mm
 800X1200X2150mm



● INSTALLATION GUIDE



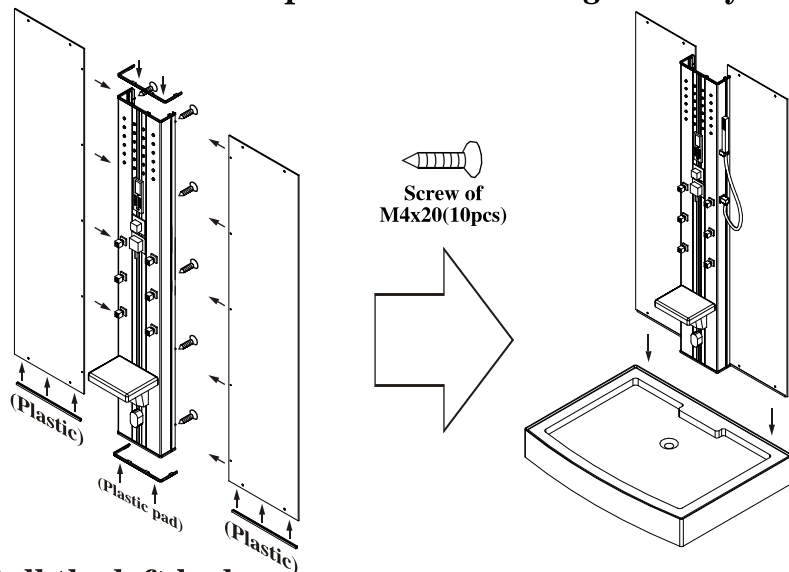
1. The plumbing and the circuit of this product must be installed by the qualified mechanic or the professional personnel who is appointed by the distributor. It is recommended to install the general switch of the power supply and the leakage protector.
2. The socket of the power supply must be installed above the steam generator; the power source wire must be long enough to reach waterproof area; the distance from the socket to the ground should be more than 1800mm.
3. It is recommended to install the general switch for cold and hot water supply, and connect the drain pipe to the limbers.
4. After the position is confirmed, assemble the steam room according to the installation sketch.

INSTALLATION PROCESS OF 300B/300C/300D/300E
(Other models can refer to this model)

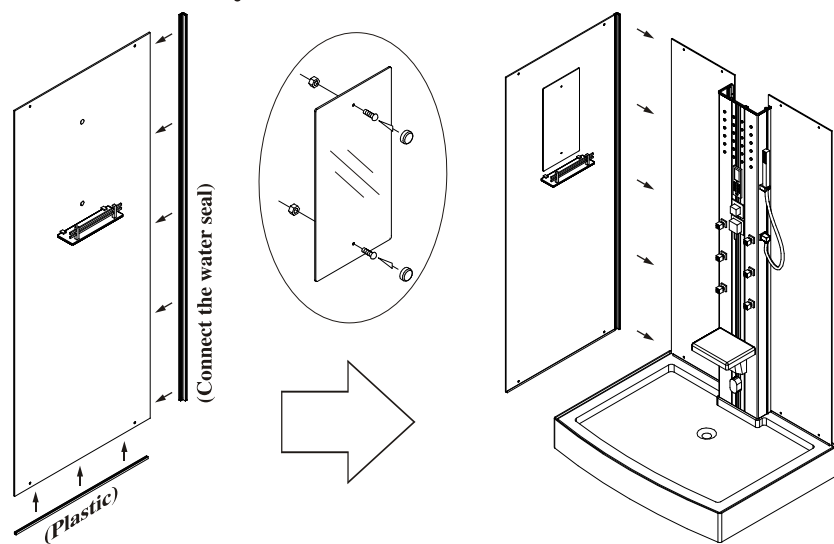
1、 Install the bottom tray:

If the ground is not horizontal, please regulate the screw of the bottom tray , make the bottom tray and ground keep competence.

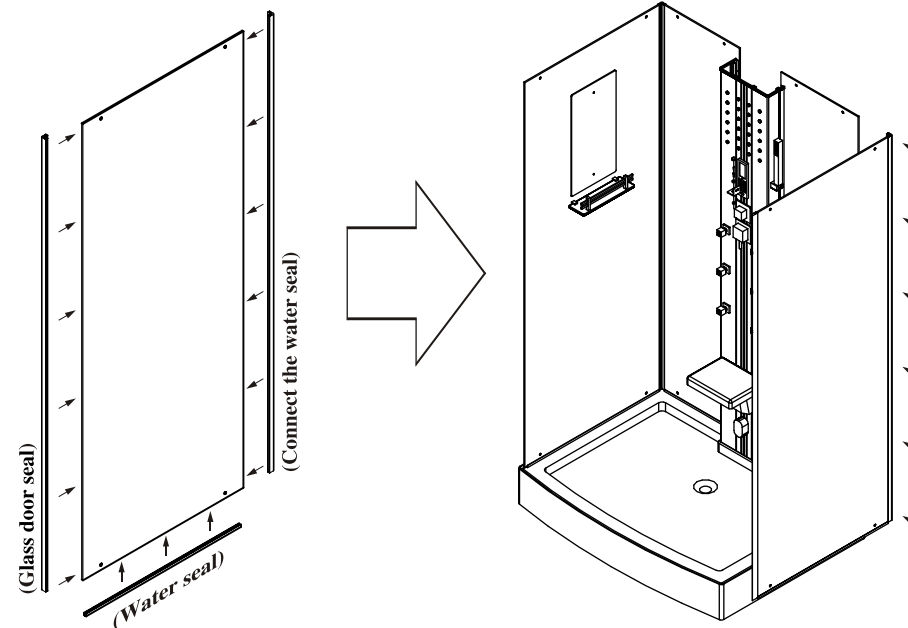
2、 Install the aluminium panel and the back glass body



3、 Install the left body



4、 Install the right body



5、 Install the fixed glass door

