



2021-22 Ford Bronco RTR Roof Rack Accessory Plate

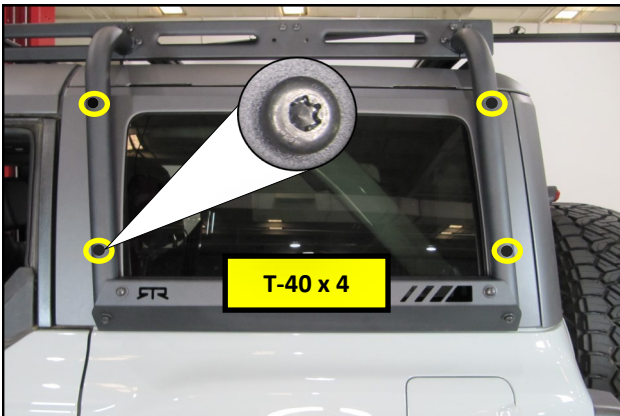
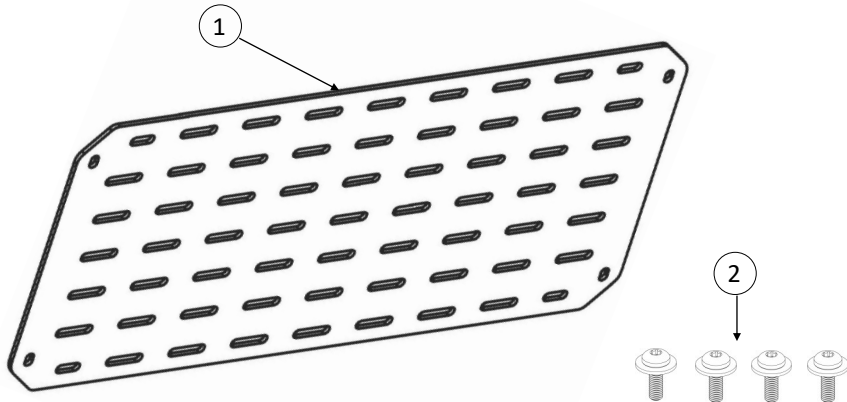
Part Number 14023.0077.99.A

Components Included

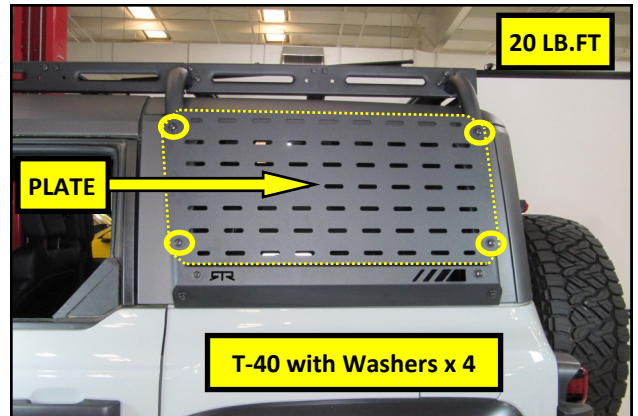
- | | |
|-------------------------------------|---|
| 1. Accessory Plate | 1 |
| 2. M8 Button Head Bolts with Washer | 4 |

NOTE: The RTR Accessory Plate is only intended to be installed onto vehicles equipped with the RTR Roof Rack.

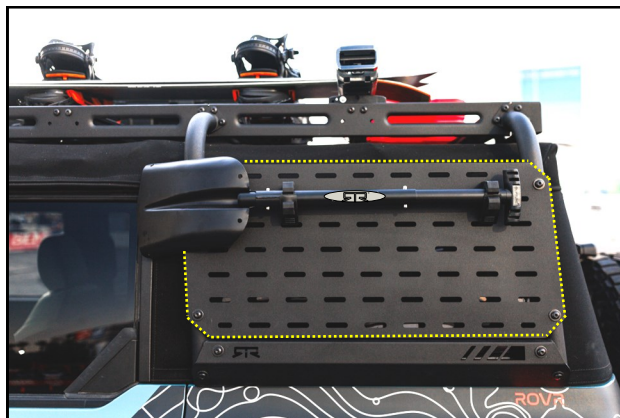
The RTR Accessory Plate can be installed on the Driver side or Passenger side of the vehicle.



1. Using a T-40 TORX® driver, remove the 4, Button Head Bolts in the RTR Rack vertical supports and set them aside. They will not be used with the RTR Accessory Plate.



2. Set the Accessory Plate onto the vertical supports as shown and align the 4 sets of mounting holes. Secure the Plate to the uprights using the supplied M8 Button Head Bolts with Washers. Torque the Fasteners to 20 Lb.ft.



3. Mount accessories to the RTR Plate using the 1.5" MOLLE spacing in the Panel or by using the mounting components supplied with the tool or accessory.
NOTE: some drilling or supplementary hardware may be needed to mount some accessories.

THIS PAGE HAS INTENTIONALLY BEEN LEFT BLANK