

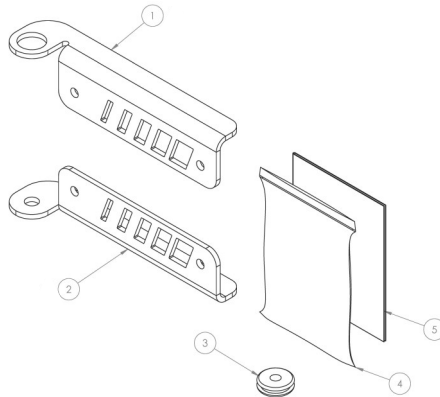


**2021 Ford Bronco**  
**RTR CB Radio Antenna Mount**  
**Part number 14021.0016.99.B**

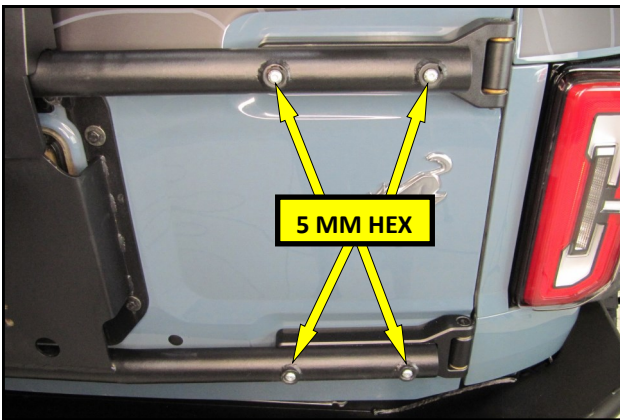
**Components Included**

1. Top Bracket	1
2. Bottom Bracket	1
3. Mast Grommet	1
4. Hardware Pack	1
5. Instructions	1

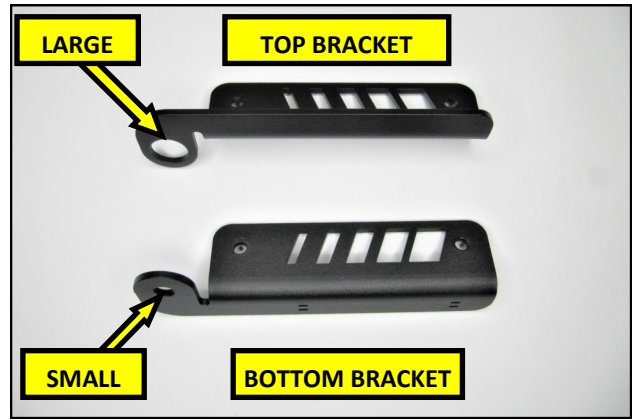
**NOTE:** RTR advises the use of Loctite® Threadlocker Blue 242, or equivalent, on all threaded fasteners during assembly, unless otherwise instructed.



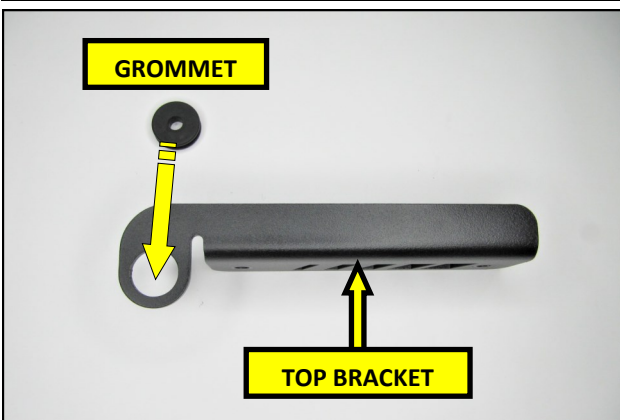
**NOTE:** The RTR Antenna Mount is intended to be mounted onto the RTR Tire carrier, with or without the Accessory plate. The RTR Antenna Mount can also be installed on stock vehicles using the RTR Accessory Adapter Kit, Part Number: **14025.0014.99.A**, sold separately. The RTR Antenna Mount is compatible most fiberglass NGP and center-load antennas.



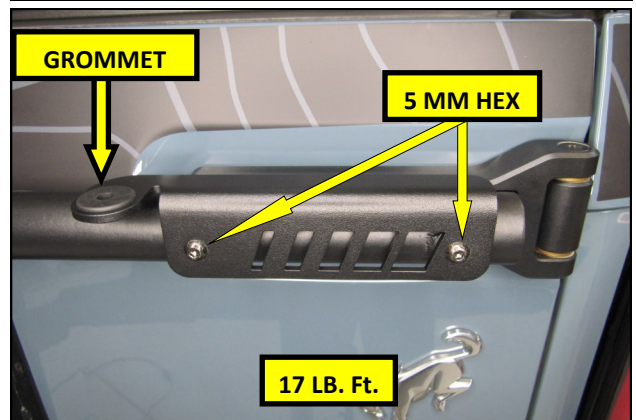
1. Using a 5mm Hex bit, remove the hinge bolts from the RTR Tire Carrier and set them aside.



2. The RTR CB Antenna Mount consists of two separate brackets. The Top Bracket has the large hole in the ear and the Bottom Bracket has a small hole in the ear.



3. Install the Mast Grommet into the hole in the Top Bracket.

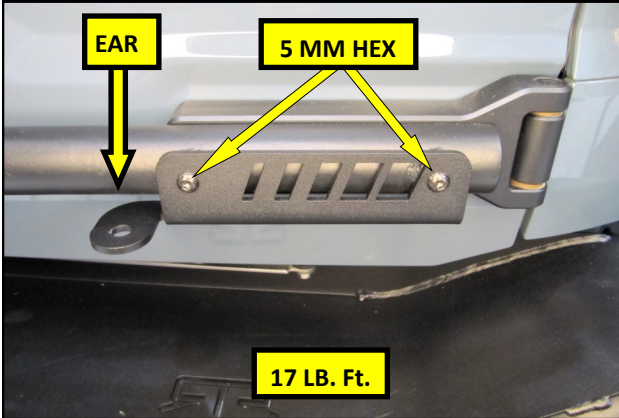


4. Using the supplied M8 button Head Bolts, install the Top Bracket as shown. When properly installed, the Top Bracket is on top of the tire carrier Hoop, with the ear and Grommet on the left. Torque the Bolts to 17 Lb.-Ft.

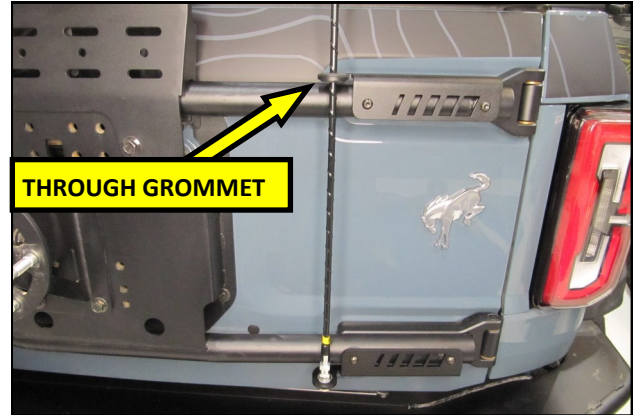


### Suggested Compatible Components

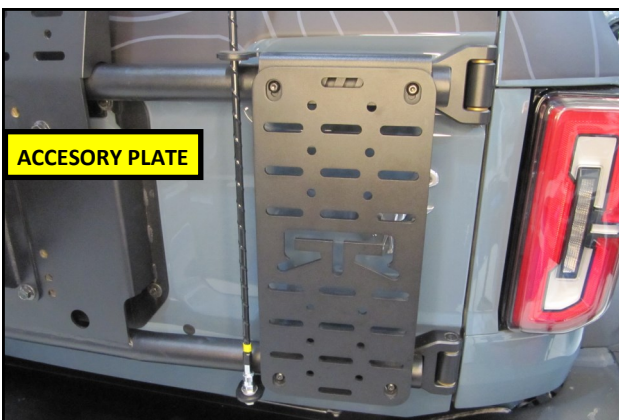
Firestik LG4-M2 FireFly NGP Antenna Kit - Firestik K4 Antenna Mount - Firestik F6 FlagStik with K4 Mount



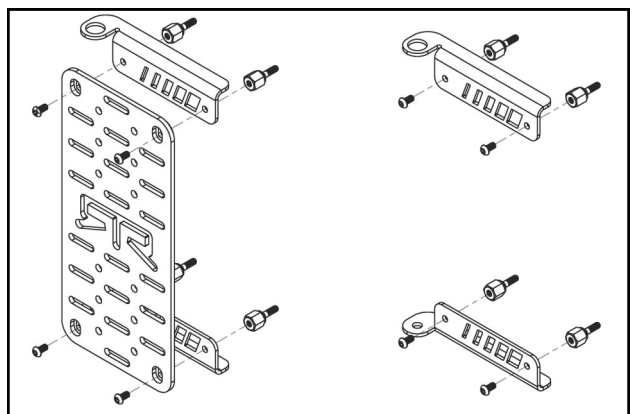
5. Using the supplied M8 button Head Bolts, install the Bottom Bracket as shown. When properly installed, the Bottom Bracket is on the bottom of the tire carrier Hoop, with the ear on the left. Torque the Bolts to 17 Lb.-Ft.



6. Mount the Antenna as shown, and in accordance with the manufacturers instructions. Use the supplied Cable Ties to secure the cable to the Bottom Bracket. Two sets of slots have been provided in the Bottom Bracket for this purpose.



7. The RTR Antenna Mount can also be used in conjunction with the Accessory Plate, sold separately. Part Number: **14021.0011.14B**



9. Alternative configurations using the RTR Accessory Adapter Kit, Part Number: **14025.0014.99.A.** on stock vehicles. **NOTE:** Alternative configurations will not use the M8 x 60 mm hardware included with the Antenna Mount.